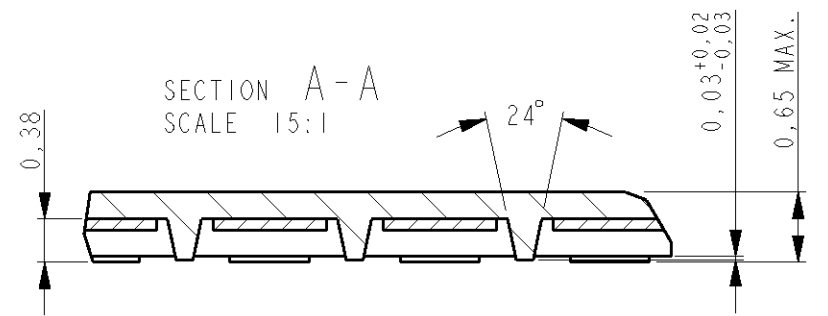
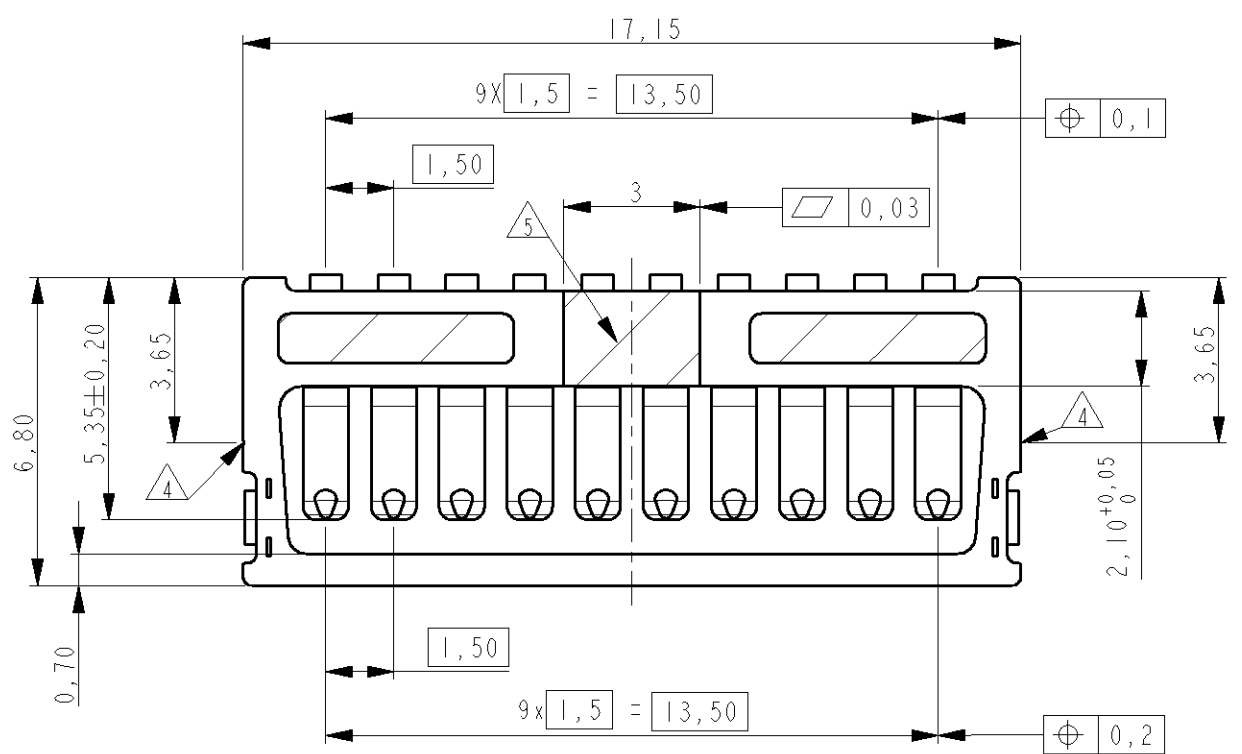
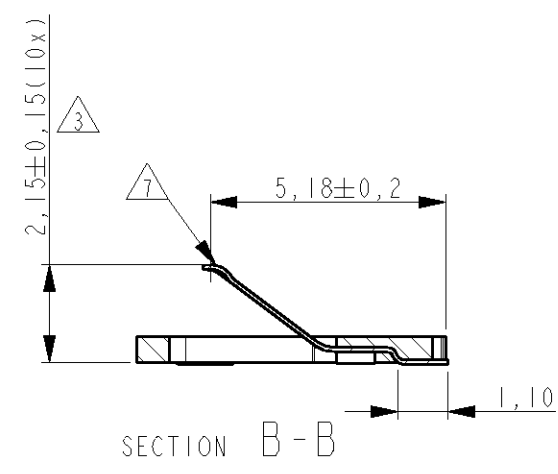
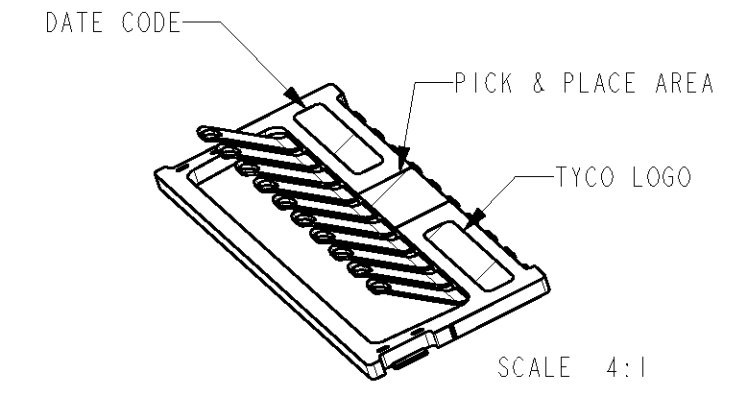


THIS DRAWING IS UNPUBLISHED. RELEASED FOR PUBLICATION
 © COPYRIGHT - BY TYCO ELECTRONICS CORPORATION. ALL RIGHTS RESERVED.

LOC	DIST	REVISIONS			
P	LTR	DESCRIPTION	DATE	DWN	APVD
H	-	A	EHC0-0098-04	19-APR-04	PW PJ
		B	ECR-09-003544	16FEB2009	PW DH

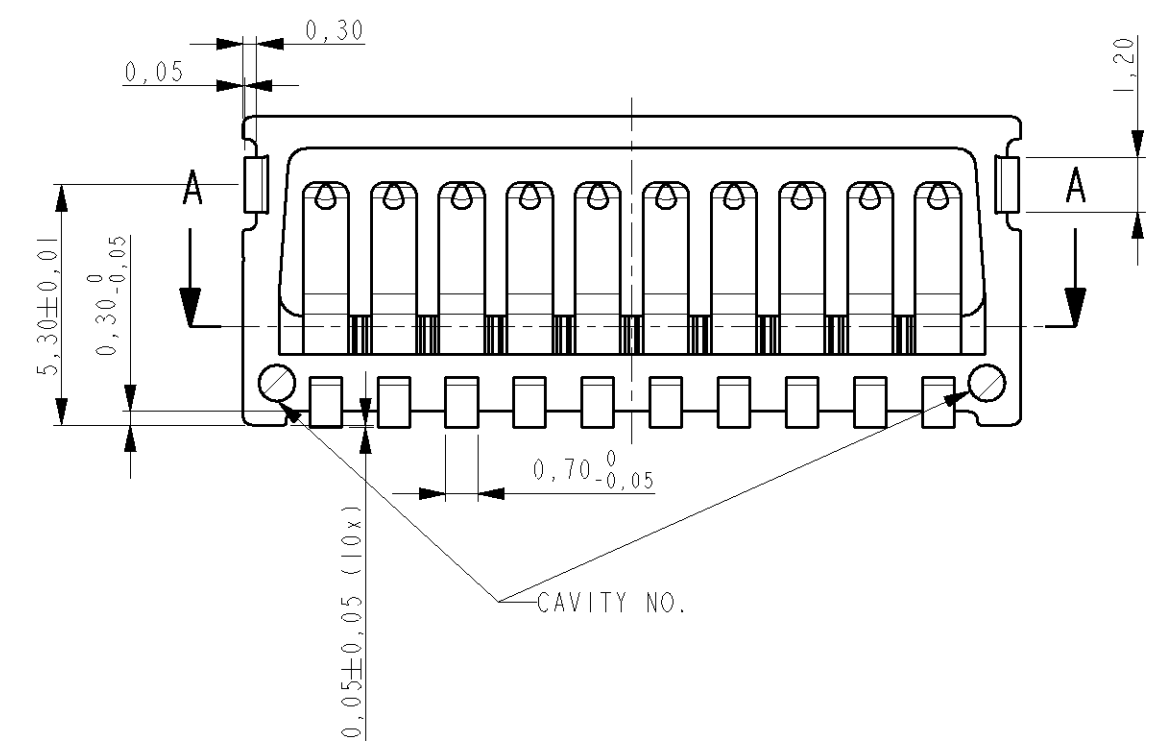
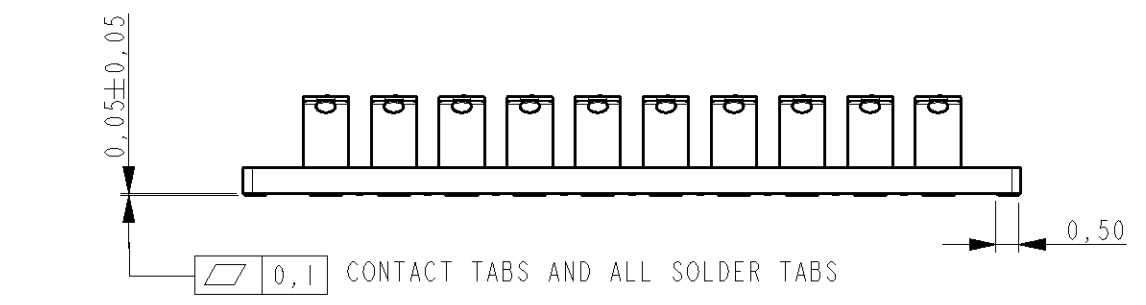


DATE CODE:
DDDD



NOTES:

- 1 MATERIAL: HOUSING: GLASSFILLED LCP
CONTACT: BeCu
BRACKET: BeCu
- 2 PLATING: UNDERLAYER 1.3µm NICKEL
0,5µm MIN. GOLD IN CONTACT ZONE
FLASH GOLD (0,2µm MAX.) ON SOLDER TAB
- 3 CONTACT FORCE: 0,2N MIN. AT 1,1mm
: 0,6N MAX. AT 0,7mm
- 4 INJECTION POINT 0,1mm RECESSED
- 5 AREA FREE OF MARKING, SCRATCHES OR MOLDING DEFECTS
- 6 PACKAGING: POCKETTAPE ACCORDING EIA 481-B
- 7 NO BURRS OR CRACKS ON TOP OR SIDE OF DIMPLE SURFACE

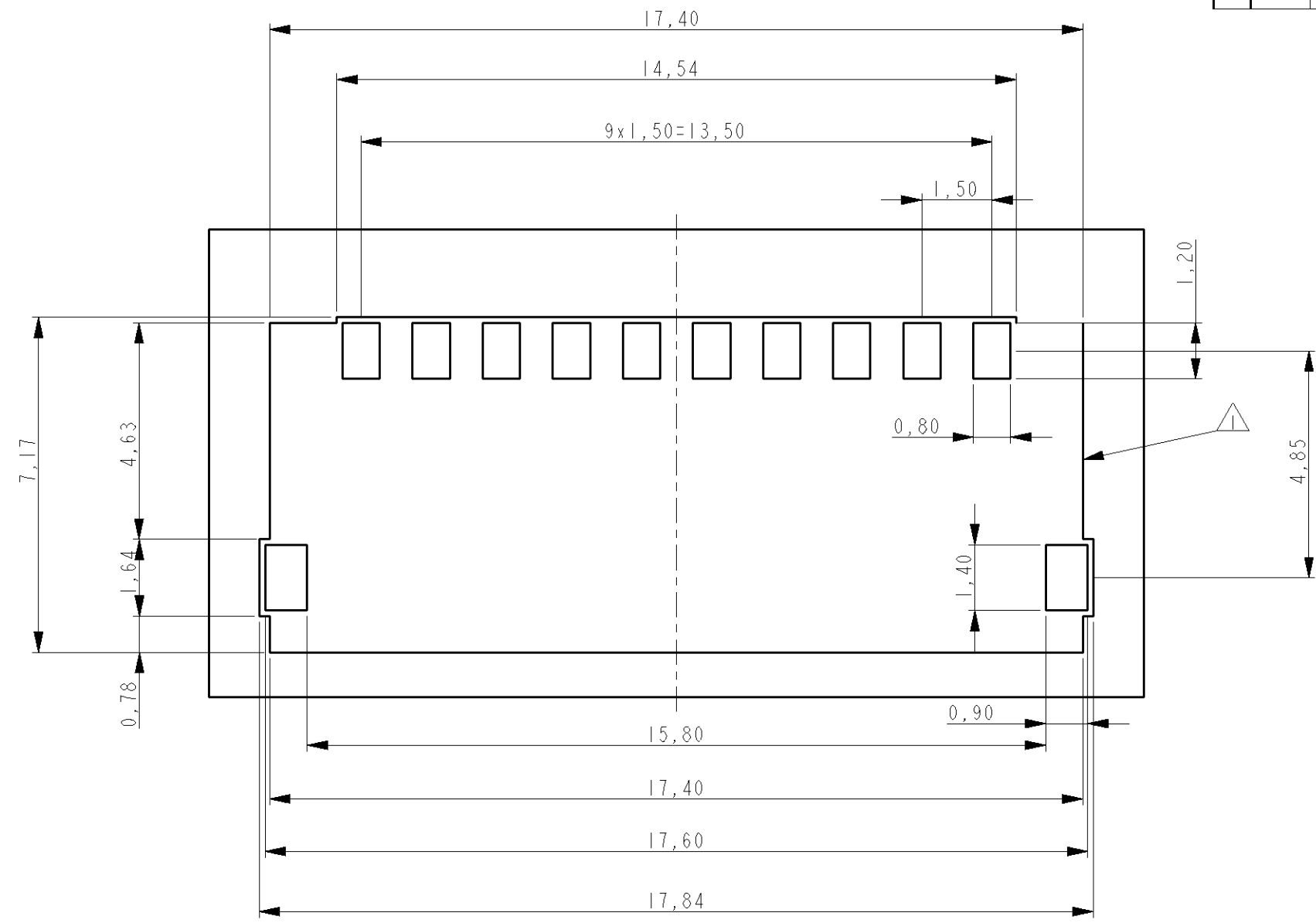


PN. 1705536-2 AS SHOWN

<small>THIS DRAWING IS A CONTROLLED DOCUMENT FOR TYCO ELECTRONICS CORPORATION IT IS SUBJECT TO CHANGE AND THE CONTROLLING ENGINEERING ORGANIZATION SHOULD BE CONTACTED FOR THE LATEST REVISION.</small>		DWN P.WILLEMS 19-04-04 CHK P.JAEGER 19-04-04 APVD P.JAEGER 19-04-04		TYCO ELECTRONICS NEDERLAND B.V. 's-HERTOGENBOSCH, THE NETHERLANDS	
DIMENSIONS: mm		TOLERANCES UNLESS OTHERWISE SPECIFIED: 0 PLC ±0,5 1 PLC ±0,2 2 PLC ±0,1 3 PLC ± 4 PLC ± ANGLES ±		NAME 10 Pos Compressive Connector	
		MATERIAL - FINISH -		PRODUCT SPEC 108-19269 APPLICATION SPEC -	
WEIGHT -		SIZE A3 CAGE CODE 00779		DRAWING NO C=1705536 RESTRICTED TO -	
CUSTOMER DRAWING		SCALE 6:1		SHEET 1 OF 3 REV B	

THIS DRAWING IS UNPUBLISHED. RELEASED FOR PUBLICATION -
 © COPYRIGHT - BY TYCO ELECTRONICS CORPORATION. ALL RIGHTS RESERVED.

LOC	DIST	REVISIONS			
P	LTR	DESCRIPTION	DATE	DWN	APVD
H	-	SEE SHEET 1	-	-	-

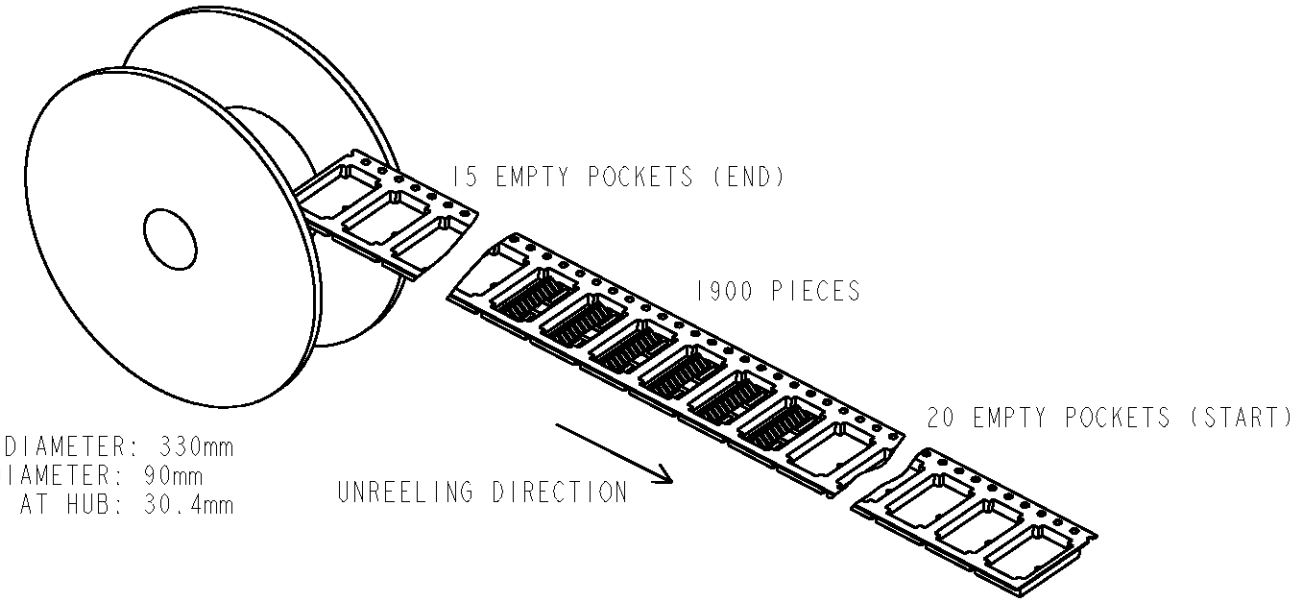
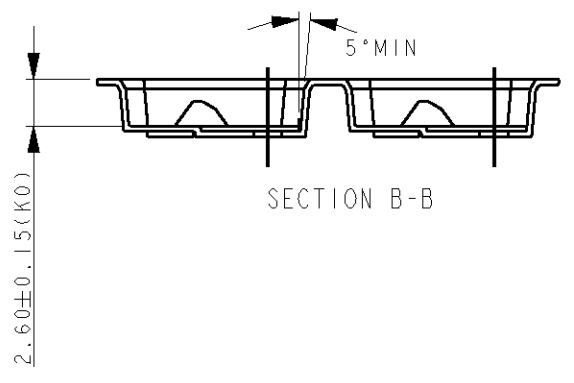
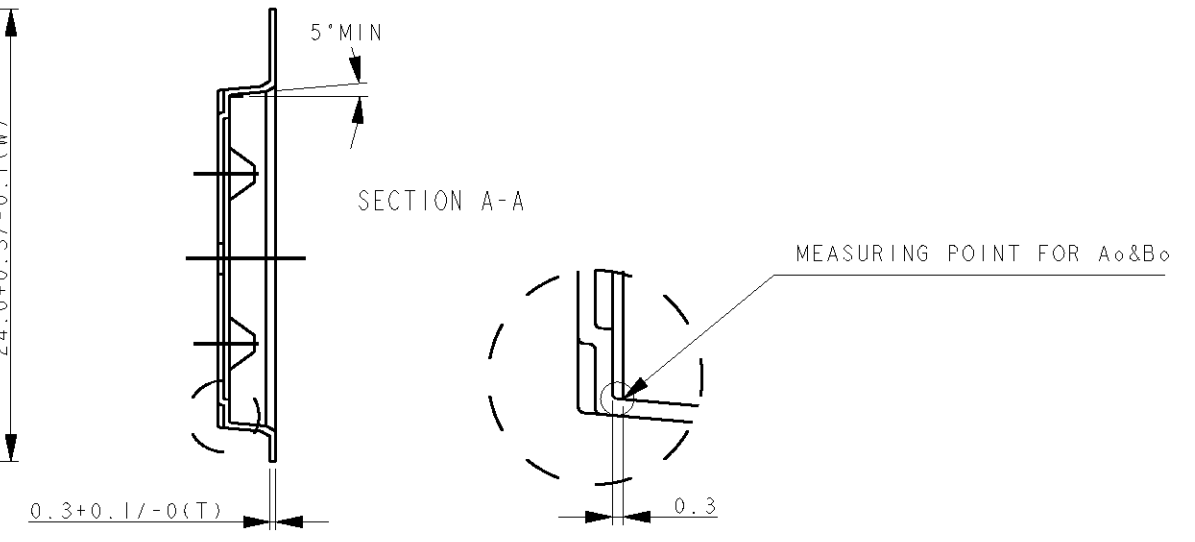
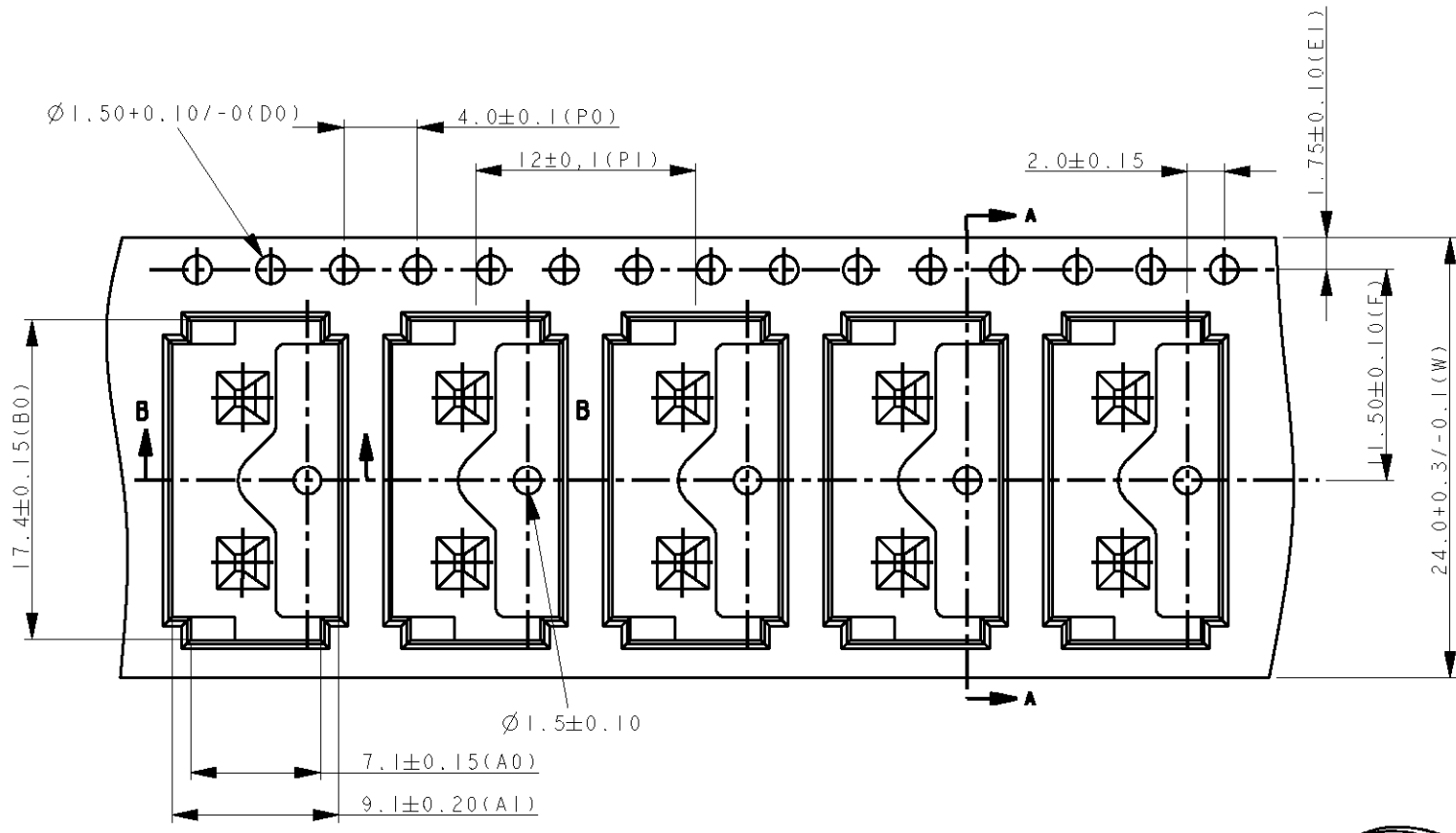


NOTES:
 △ WITHIN THIS AREA NO UN-ISOLATED TRACKS PERMITTED

<small>THIS DRAWING IS A CONTROLLED DOCUMENT FOR TYCO ELECTRONICS CORPORATION IT IS SUBJECT TO CHANGE AND THE CONTROLLING ENGINEERING ORGANIZATION SHOULD BE CONTACTED FOR THE LATEST REVISION.</small>		DWN P.WILLEMS 19-04-04 CHK P.JAEGER 19-04-04 APVD P.JAEGER 19-04-04		TYCO ELECTRONICS NEDERLAND B.V. 's-HERTOGENBOSCH, THE NETHERLANDS	
DIMENSIONS: mm		TOLERANCES UNLESS OTHERWISE SPECIFIED: 0 PLC ±0,5 1 PLC ±0,2 2 PLC ±0,1 3 PLC ± 4 PLC ± ANGLES ±		NAME - 10 Pos Compressive Connector	
		MATERIAL - FINISH -		PRODUCT SPEC 108-19269	
		APPLICATION SPEC -		SIZE A3 CAGE CODE 00779 DRAWING NO C-1705536 RESTRICTED TO -	
		WEIGHT -		SCALE 6:1 SHEET 2 OF 3 REV B	
		CUSTOMER DRAWING			

THIS DRAWING IS UNPUBLISHED. RELEASED FOR PUBLICATION
 © COPYRIGHT - BY TYCO ELECTRONICS CORPORATION, ALL RIGHTS RESERVED.

LOC	DIST	REVISIONS				
P	LTR	DESCRIPTION	DATE	DWN	APVD	
H	-	SEE SHEET 1	-	-	-	



NOTE
 EMBOSS TAPE AND REEL ACCORDING EIA STANDARD 418-B

<small>THIS DRAWING IS A CONTROLLED DOCUMENT FOR TYCO ELECTRONICS CORPORATION IT IS SUBJECT TO CHANGE AND THE CONTROLLING ENGINEERING ORGANIZATION SHOULD BE CONTACTED FOR THE LATEST REVISION.</small>		DWN P. WILLEMS 19-04-04 CHK P. JAEGER 19-04-04 APVD P. JAEGER 19-04-04		TYCO ELECTRONICS NEDERLAND B.V. 's-HERTOGENBOSCH, THE NETHERLANDS	
DIMENSIONS: mm		TOLERANCES UNLESS OTHERWISE SPECIFIED: 0 PLC ± 0.5 1 PLC ± 0.2 2 PLC ± 0.1 3 PLC \pm 4 PLC \pm ANGLES \pm		NAME - PRODUCT SPEC 108-19269 APPLICATION SPEC -	
MATERIAL -		FINISH -		SIZE A3 CAGE CODE 00779 DRAWING NO C-1705536 RESTRICTED TO -	
CUSTOMER DRAWING				SCALE 6:1 SHEET 3 OF 3 REV B	