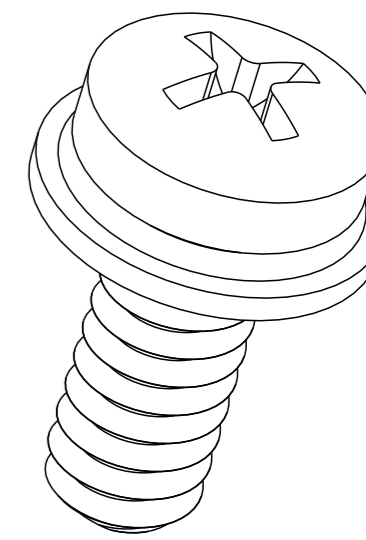
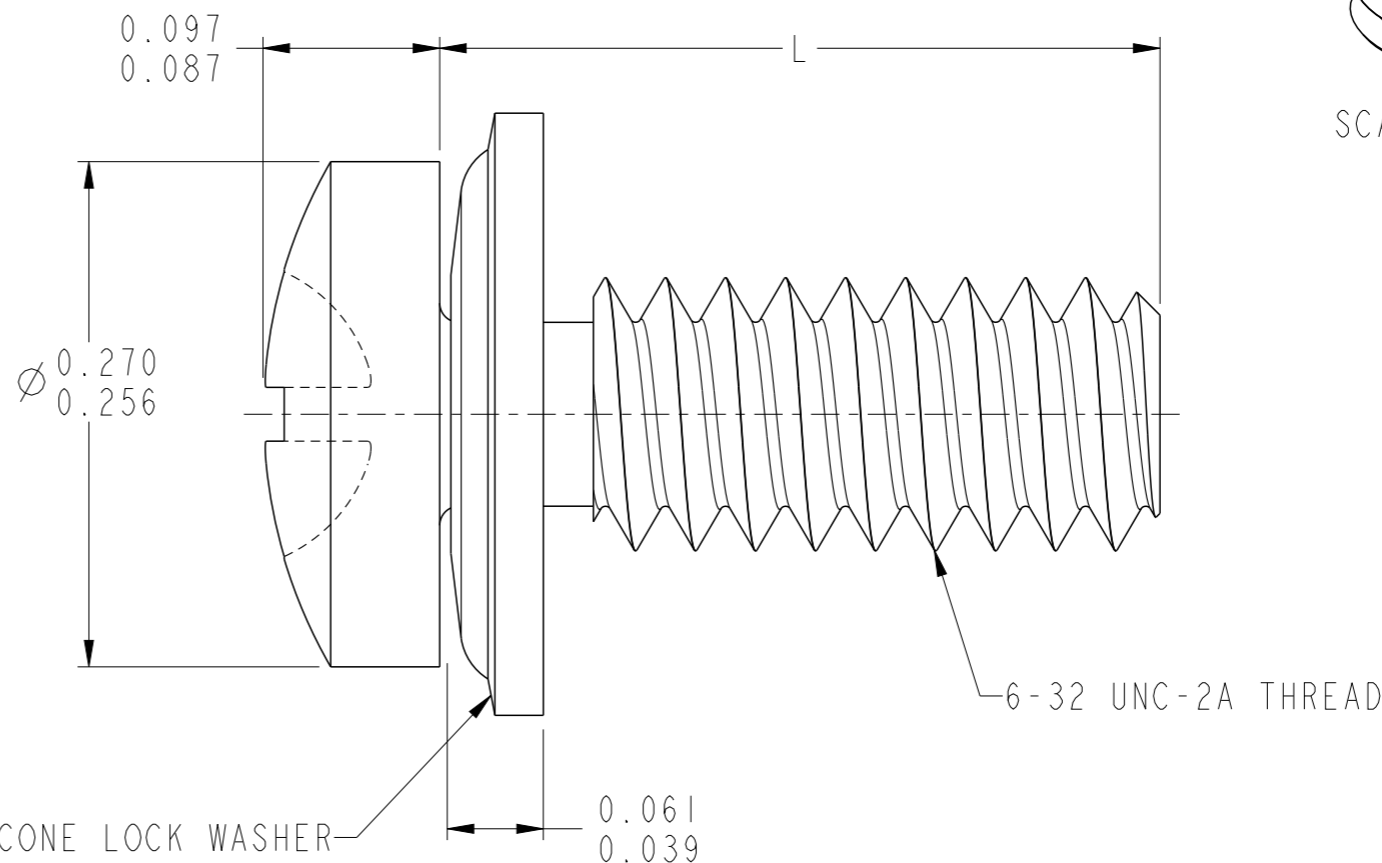
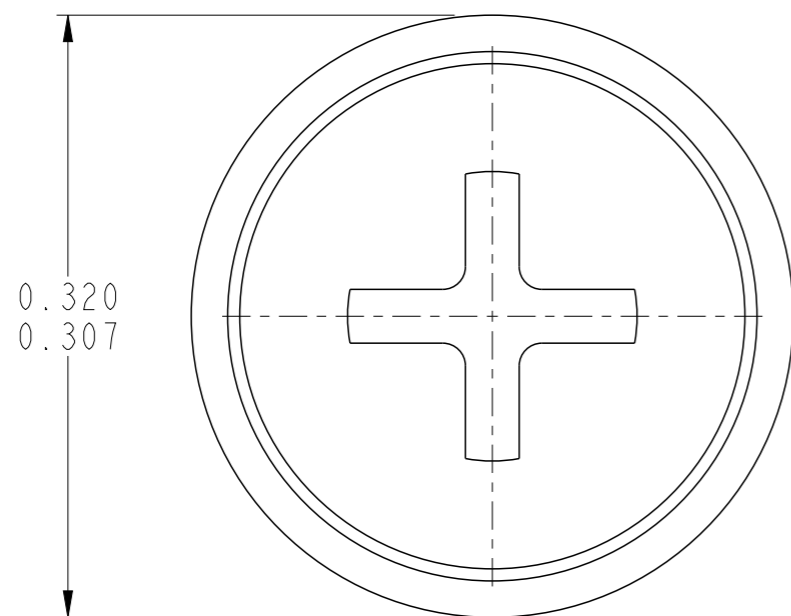


PART NUMBER	"L" DIM
10091791-001LF	.375" ^{+.000} -.020
10091791-002LF	.500" ^{+.000} -.020
10091791-003LF	.625" ^{+.000} -.020



SCALE 6:1

SQUARE CONE LOCK WASHER

NOTES:

- MATERIAL: SCREW: 18-8 STAINLESS STEEL PER ASTM F593
WASHER: 410 STAINLESS STEEL
- DRIVE SIZE: #2 PHILLIPS

spec ref	-	dr	Jim Swain	2010/01/26	projection	INCH	size	A3	scale	10:1
tolerance std	ASME Y14.5	eng	Jim Swain	2011/05/19			ecn no	-	rel level	Released
	TOLERANCES UNLESS OTHERWISE SPECIFIED	chr	-	-			product family	-		
surface	✓	appr	Steve Minich	2011/05/19			dwg no	10091791	rev	A
ASME Y14.5	linear				www.fci.com	cat. no.	SEE P/N TABLE	Product - Customer Drw	sheet 1 of 1	
	angular									