



soberton inc.

PB PIEZO AUDIO BUZZER

Acoustic Product Specification

Product Number: PB-4333N



Release | Revision: C/2018

CONTENTS

This document contains the technical specifications for the piezo audio buzzer.

Page 1

Specifications

Mechanical Characteristics

Page 2

Environment Test

Reliability Test

Page 3

Measuring Method

Page 4

Dimensions

Page 5

Packing

Specifications

Item	Unit	Specification	Condition
Rated Voltage	VDC	12.0	
Operating Volt	VDC	6.0 ~ 28.0	
Current Consumption	mA	20 Max.	At 12.0 VDC
Sound Output	dBA	90	At 30cm/12.0VDC
Resonant Frequency	Hz	2900 ±500	
Operating Temp	°C	-20 ~ +60	
Storage Temp	°C	-20 ~ +70	
Dimension	mm	ø43.0 × H33.0	
Housing Material	gram	40.0	
Material		ABS (black)	
Terminal		Pins	Screw Type
Environmental Protection Regulation		RoHS	

Test condition:

Temperature: +25±2 °C Related humidity: 65±5% Air Pressure: 86~106KPa

Mechanical Characteristics

Item	Test condition	Evaluation standard
Lead Wire Pull Strength	The pull force shall be applied to double lead wire : Horizontal: 3.0N(0.306kg) for 30 seconds. Vertical: 2.0N(0.204kg) for 30 seconds.	No damage and cutting off
Vibration	The buzzer shall be measured after a vibration of amplitude of 1.5mm with 10Hz to 55Hz band of vibration frequency is applied to each of 3 perpendicular directions for 2 hours.	The value of oscillation frequency/ current consumption should be in ±10% compared with initial ones.
Drop Test	The part is dropped from a height of 70cm onto a 40mm thick wooden board 3 times in 3 axes(X,Y,Z). A total of 9 times.	The SPL should be in ±10dB compared with initial one.



soberton inc.

PB PIEZO AUDIO BUZZER

Acoustic Product Specification

Product Number: PB-4333N



Release | Revision: C/2018

CONTENTS

This document contains the technical specifications for the piezo audio buzzer.

Page 1

Specifications

Mechanical Characteristics

Page 2

Environment Test

Reliability Test

Page 3

Measuring Method

Page 4

Dimensions

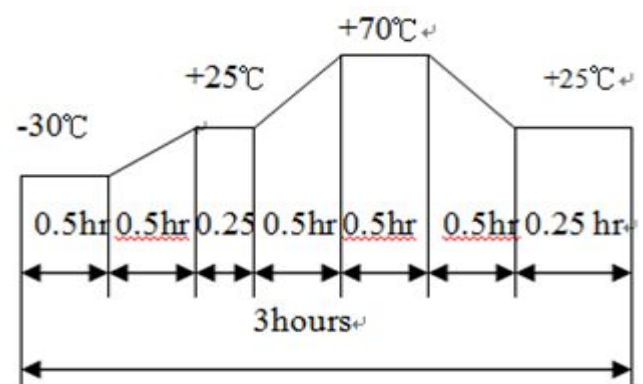
Page 5

Packing

Environment Test

Item	Test condition	Evaluation standard
High temp. test	The part is placed in a chamber at +70°C for 96 hours.	Being placed for 4 hours at +25°C, buzzer shall be measured.
Low temp. test	The part is placed in a chamber at -30°C for 96 hours.	The value of oscillation, frequency / current consumption should be in $\pm 10\%$ compared with initial ones.
Humidity test	The part is placed in a chamber at +70°C and $90\pm 5\%$ relative humidity for 96 hours.	The SPL should be in $\pm 10\text{dB}$ compared with initial one.

Temp cycle test The part shall be subjected to 5 cycles. Each cycle shall consist of:



Reliability Test

Item	Test condition	Evaluation standard
Operating life test	1. Continuous life test 48 hours of continuous operation at +55°C with the maximum rated voltage applied 2. Intermittent life test A duty cycle of 1 minute on, 1 minutes off, a minimum of 1000 times at $+25\pm 2^\circ\text{C}$ and the maximum rated voltage applied	After the test, the part shall meet specifications without any degradation in appearance and performance except SPL. After 4 hours at +25°C, the SPL should be in $\pm 10\text{dBA}$ compared with initial one.

Standard test condition:

- a) Temperature: +5~+35°C
- b) Humidity: 45~85%
- c) Pressure: 86~106KPa



soberton inc.

PB PIEZO AUDIO BUZZER

Acoustic Product Specification

Product Number: PB-4333N



Release | Revision: C/2018

CONTENTS

This document contains the technical specifications for the piezo audio buzzer.

Page 1

Specifications

Mechanical Characteristics

Page 2

Environment Test

Reliability Test

Page 3

Measuring Method

Page 4

Dimensions

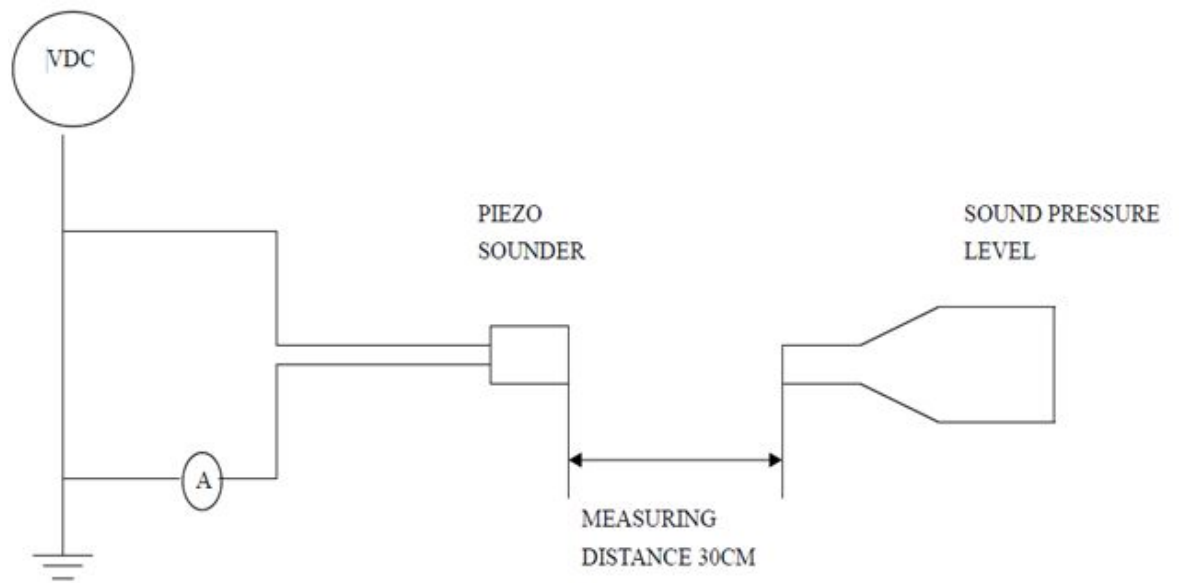
Page 5

Packing

Measuring Method

S.P.L Measuring Circuit

Input Signal: 12.0 VDC



MIC: RION S.P.L meter UC30 or equivalent



soberton inc.

PB PIEZO AUDIO BUZZER

Acoustic Product Specification

Product Number: PB-4333N



Release | Revision: C/2018

CONTENTS

This document contains the technical specifications for the piezo audio buzzer.

Page 1

Specifications

Mechanical Characteristics

Page 2

Environment Test

Reliability Test

Page 3

Measuring Method

Page 4

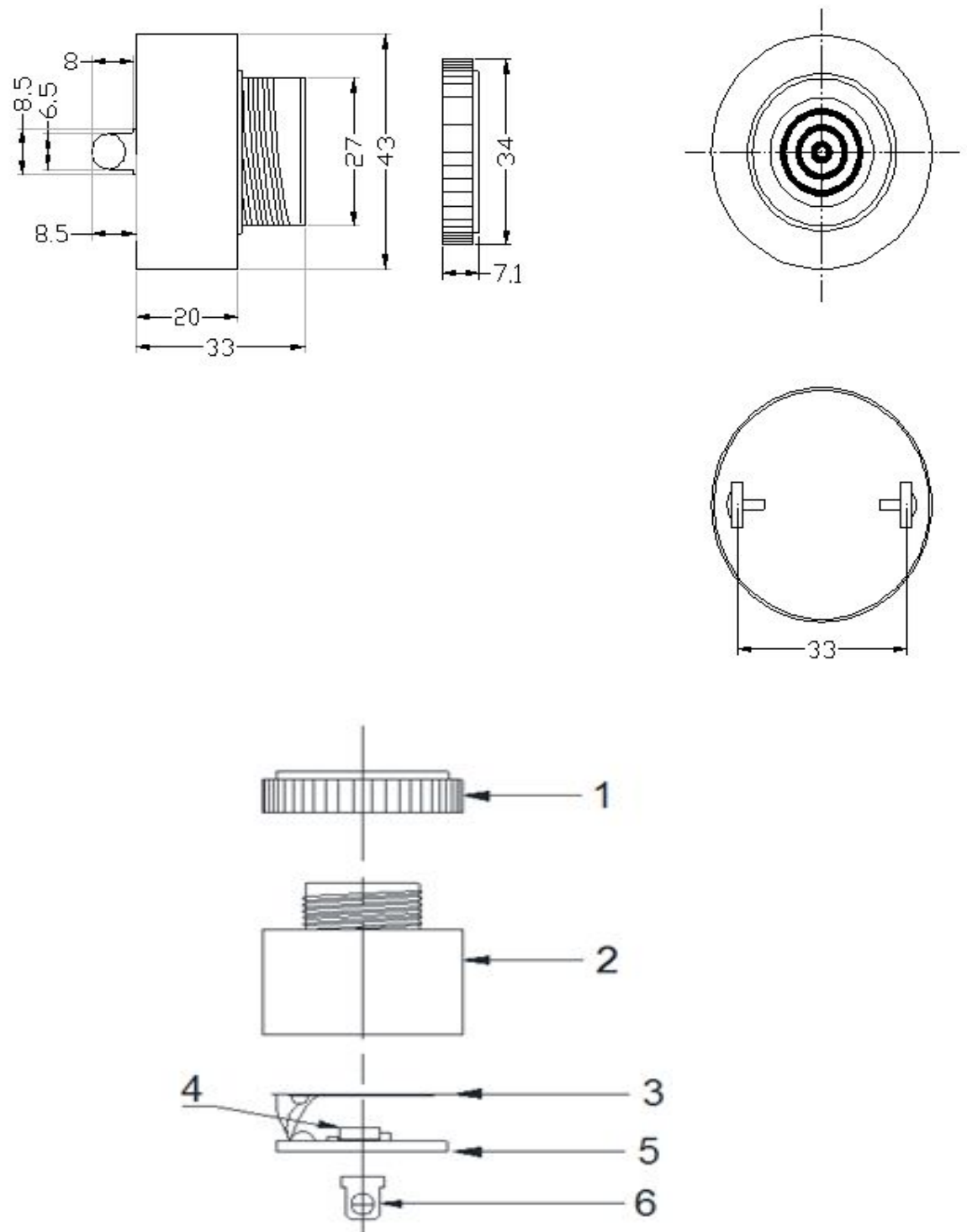
Dimensions

Page 5

Packing

Dimensions

Tolerance: ± 0.5 (unit: mm)



No.	Part Name	Material	Quantity
1	Case	ABS	1
2	Case	ABS	1
3	Piezo	Brass + Ceramics	1
4	Transistor	Epoxy + Copper	1
5	Cover/PCB	Epoxy	1
6	PIN	Fe	2



soberton inc.

PB PIEZO AUDIO BUZZER

Acoustic Product Specification

Product Number: PB-4333N



Release | Revision: C/2018

CONTENTS

This document contains the technical specifications for the piezo audio buzzer.

Page 1

Specifications

Mechanical Characteristics

Page 2

Environment Test

Reliability Test

Page 3

Measuring Method

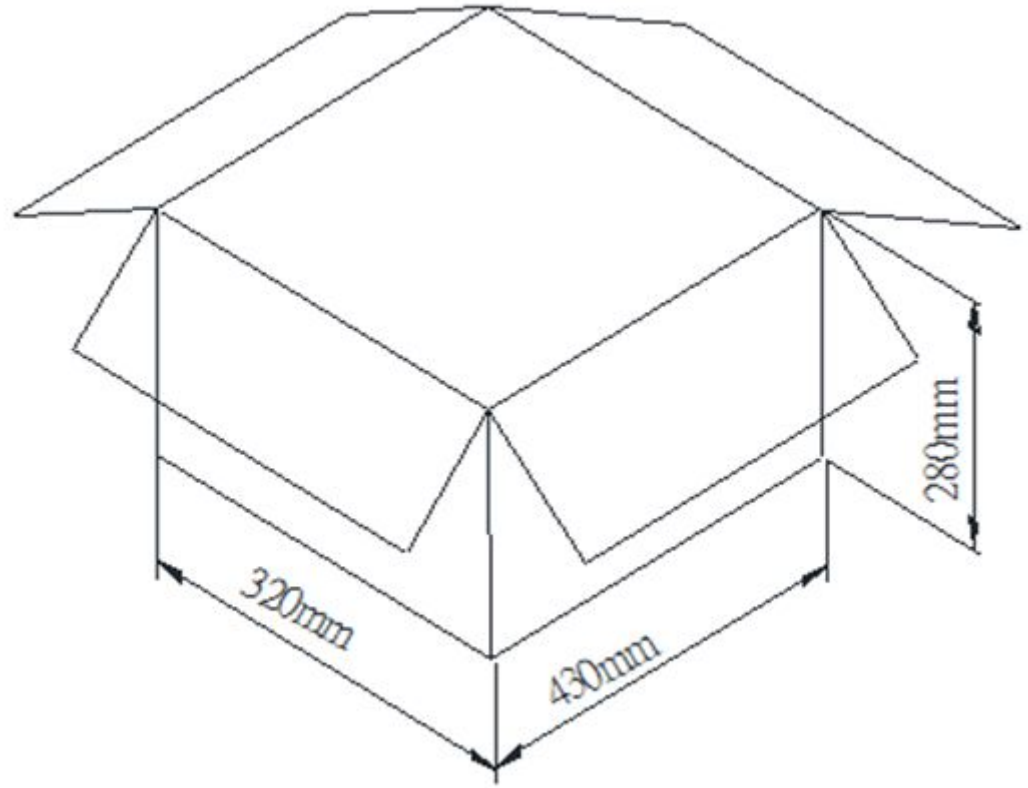
Page 4

Dimensions

Page 5

Packing

Packing



Details

	Size (mm)	Quantity (pcs)
Carton	430 x 320 x 280	500