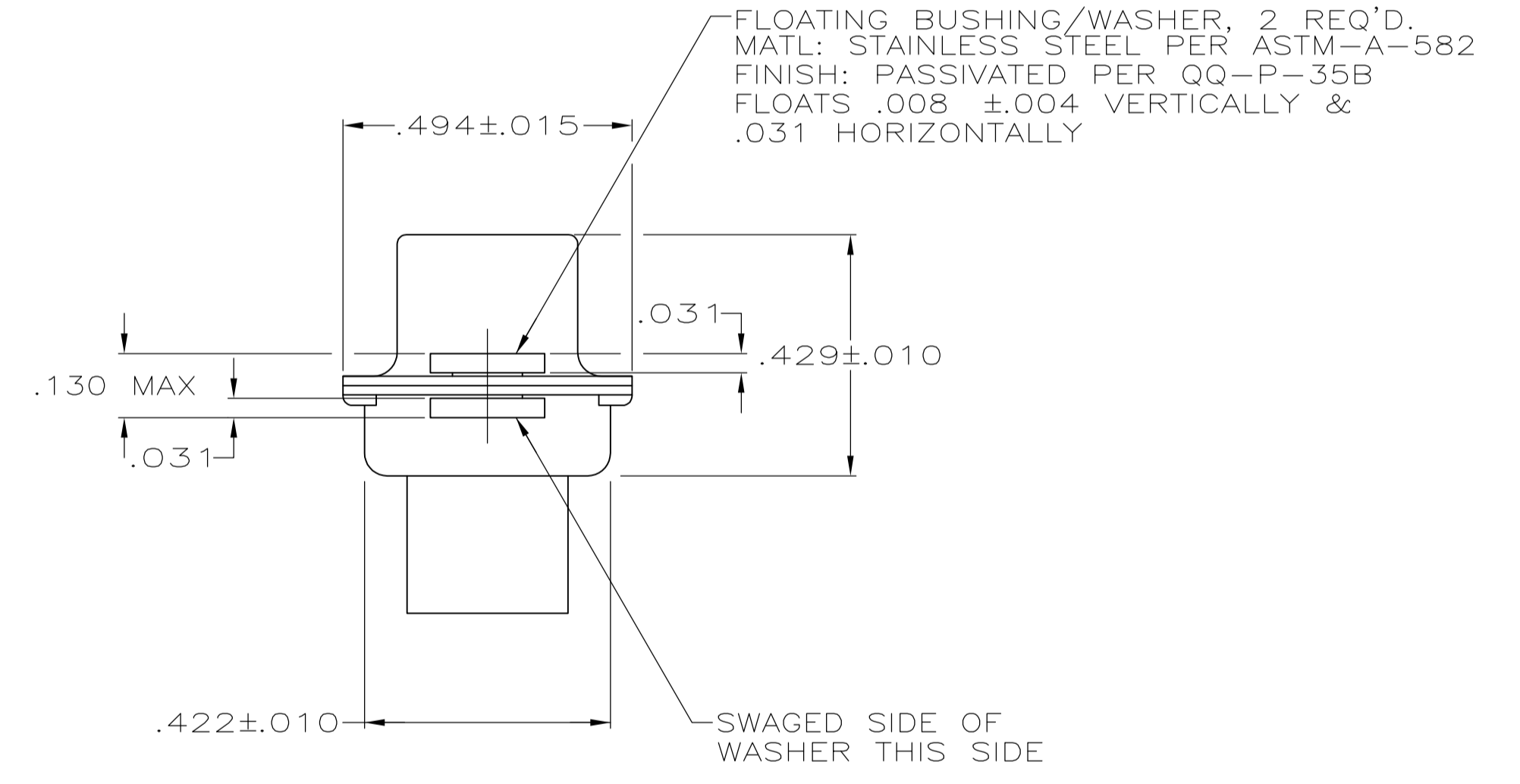
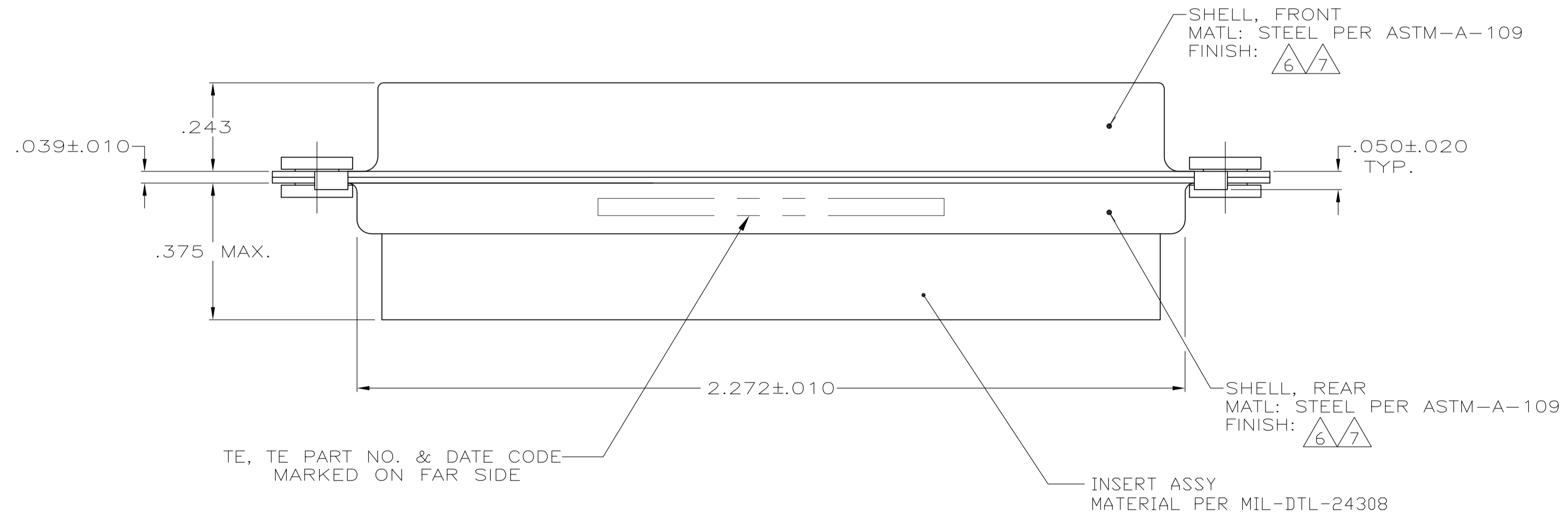
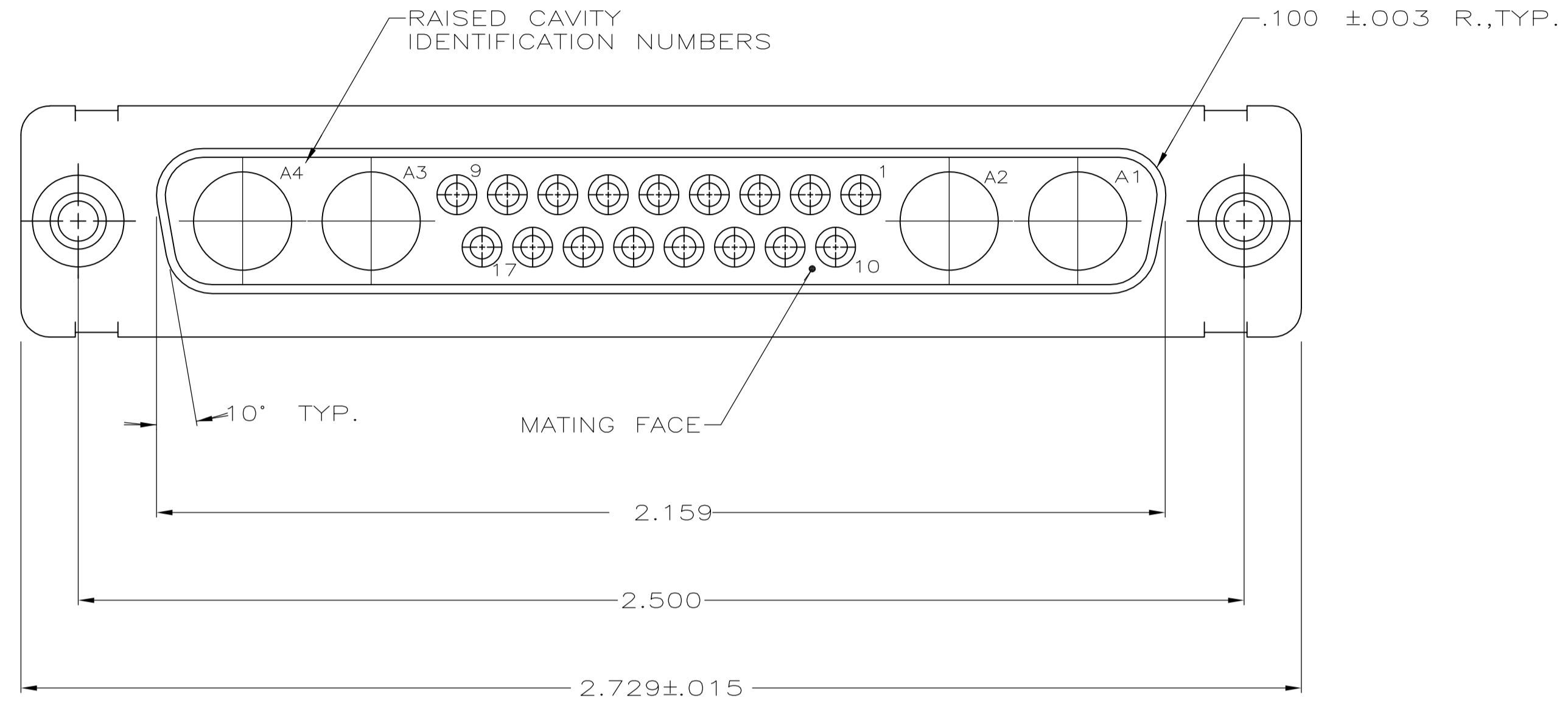


REVISONS		DATE	DMN	APVD
LOC	DIST	P	LTR	DESCRIPTION
C	REV PER ECO	15-005929	5-13-15	CT DM

1. THIS RECEPTACLE WILL MATE WITH ANY 21C4, SIZE 4 PLUG IN AMPLIMITE SERIES.
2. MAXIMUM WIRE INSULATION TO BE USED WITH THIS RECEPTACLE IS .068 DOA.
3. STAINLESS STEEL RETENTION CLIPS (17) ARE INCLUDED IN INSERT ASSEMBLY.
4. THIS CONNECTOR ACCEPTS SIZE 20 SOCKET SIGNAL CONTACTS.
5. USE 4 SIZE AND POWER OR COAX SOCKET CONTACTS. CONSULT PRODUCT ENGINEERING FOR MORE DETAILS.

- 6 FINISH: CADMIUM PER QQ-P-416.
- 7 FINISH: ZINC PLATED PER ASTM-B-633 .000200-.000400 THK WITH SUPPLEMENTARY CHROMATE (Cr3+).



7	5-445726-1
6	445726-1
REMARKS	PART NO

THIS DRAWING IS A CONTROLLED DOCUMENT.		DIN	T. SHUEY	1-21-88
DIMENSIONS: INCHES		CHK	A. EMADI	11-10-88
TOLERANCES UNLESS OTHERWISE SPECIFIED:		APVD		
0. PLC	± .005	NAME		
1. PLC	± .005	RECEPTACLE ASSEMBLY, AMPLIMITE,		
2. PLC	± .005	21C4, SIZE 4, SERIES 109, COAX MIX,		
3. PLC	± .005	WITH FLOAT BUSHINGS		
4. PLC	± .005	PRODUCT SPEC		
ANGLES	± .005	APPLICATION SPEC		
MATERIAL	SEE CALLOUTS	WEIGHT	SIZE	
FINISH		A1		RESTRICTED TO
SEE CALLOUTS		00779		445726
CUSTOMER DRAWING		SCALE		4:1
		SHEET		1 OF 1
		REV		C