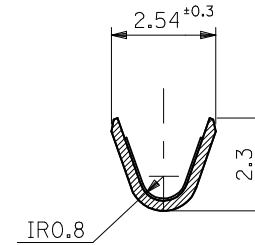
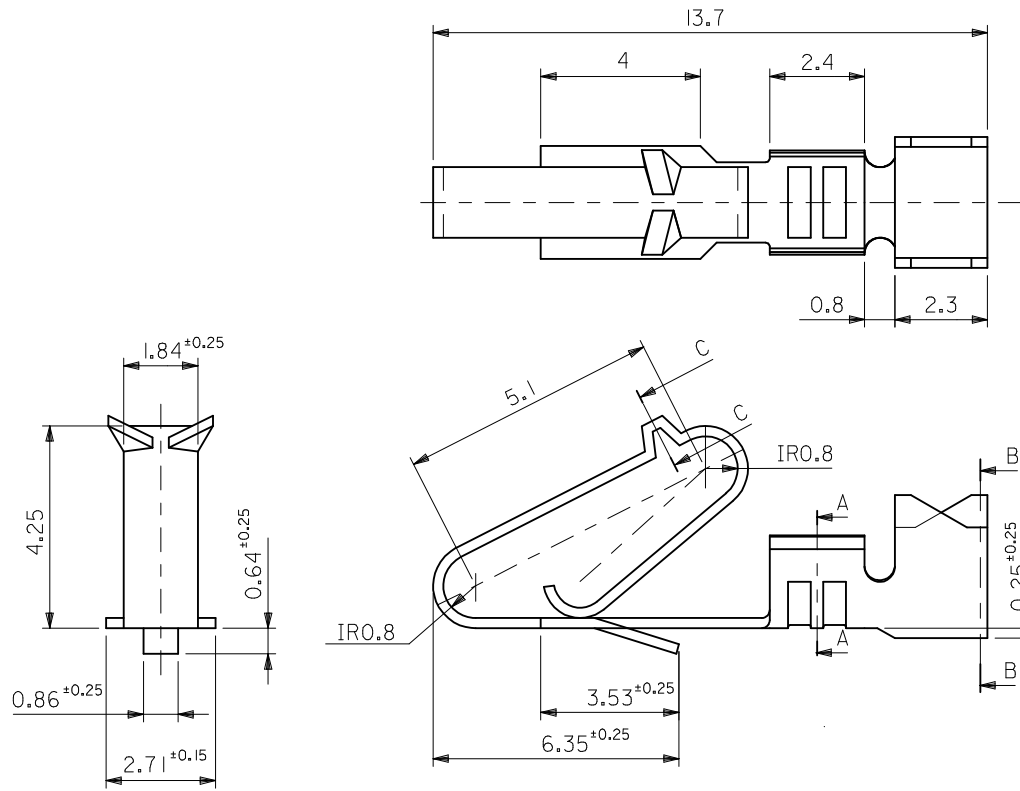
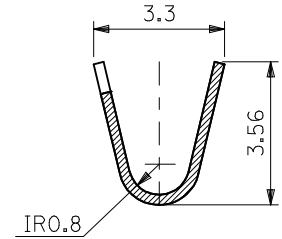


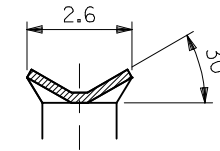
10 9 8 7 6 5 4 3 2 1



断面 A-A
SECTION A-A



断面 B-B
SECTION B-B



断面 C-C
SECTION C-C

注記
NOTE
一般公差 : ±0.4
角度 : ±3°
GENERAL TOLERANCES : ±0.4
ANGLE : ±3°

MATERIAL
SEE CHART

磷青銅 PHOSPHOR BRONZE	錫メッキ TIN PLATING	08-70-1034	5167PBT	バラ状 LOOSE
黄銅 BRASS	銅メッキ COPPER PLATING	08-70-0097	5167PBT	チェーン状 CHAIN
銅 MATERIAL	メッキ PLATE	EDP.NO.	ENG.NO.	形状 FORM

REVISED & REDRAWN EC NO: J2016-0865 DRWN: TMIYABE 2016/01/20 CHKD: KASAKAWA 2016/03/17 APPR: KANEKO 2016/03/18	GENERAL TOLERANCES (UNLESS SPECIFIED)		DIMENSION STYLE MM ONLY		SCALE 8:1	DESIGN UNITS METRIC	THIRD ANGLE PROJECTION
	0.25 UNDER	UNDER	±0.03	DRAWN BY TMIYABE	DATE 2016/01/20	TITLE STD KK CRIMP REC	
	0.25 OVER	0.5 UNDER	±0.05	CHECKED BY KASAKAWA	DATE		
	0.5 OVER	1.0 UNDER	±0.1	APPROVED BY TKANEKO	DATE 2016/03/18		
1.0 OVER	10 UNDER	±0.2	MATERIAL NO.		DOCUMENT NO.	SHEET NO.	
10 OVER	30 UNDER	±0.25	SEE CHART		SD-5167-002	1 OF 1	
30 OVER		±0.3	SIZE A3		THIS DRAWING CONTAINS INFORMATION THAT IS PROPRIETARY TO MOLEX ELECTRONIC TECHNOLOGIES, LLC AND SHOULD NOT BE USED WITHOUT WRITTEN PERMISSION		
ANGULAR	±3 °		DRAFT WHERE APPLICABLE MUST REMAIN WITHIN DIMENSIONS				

9 8 7 6 5 4 3 2 1