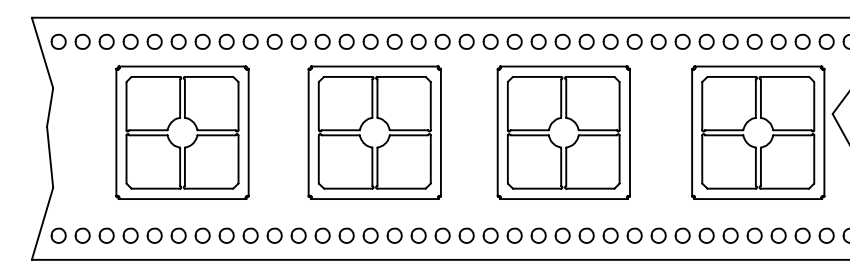
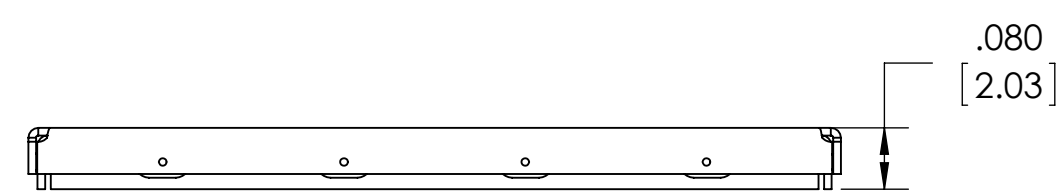
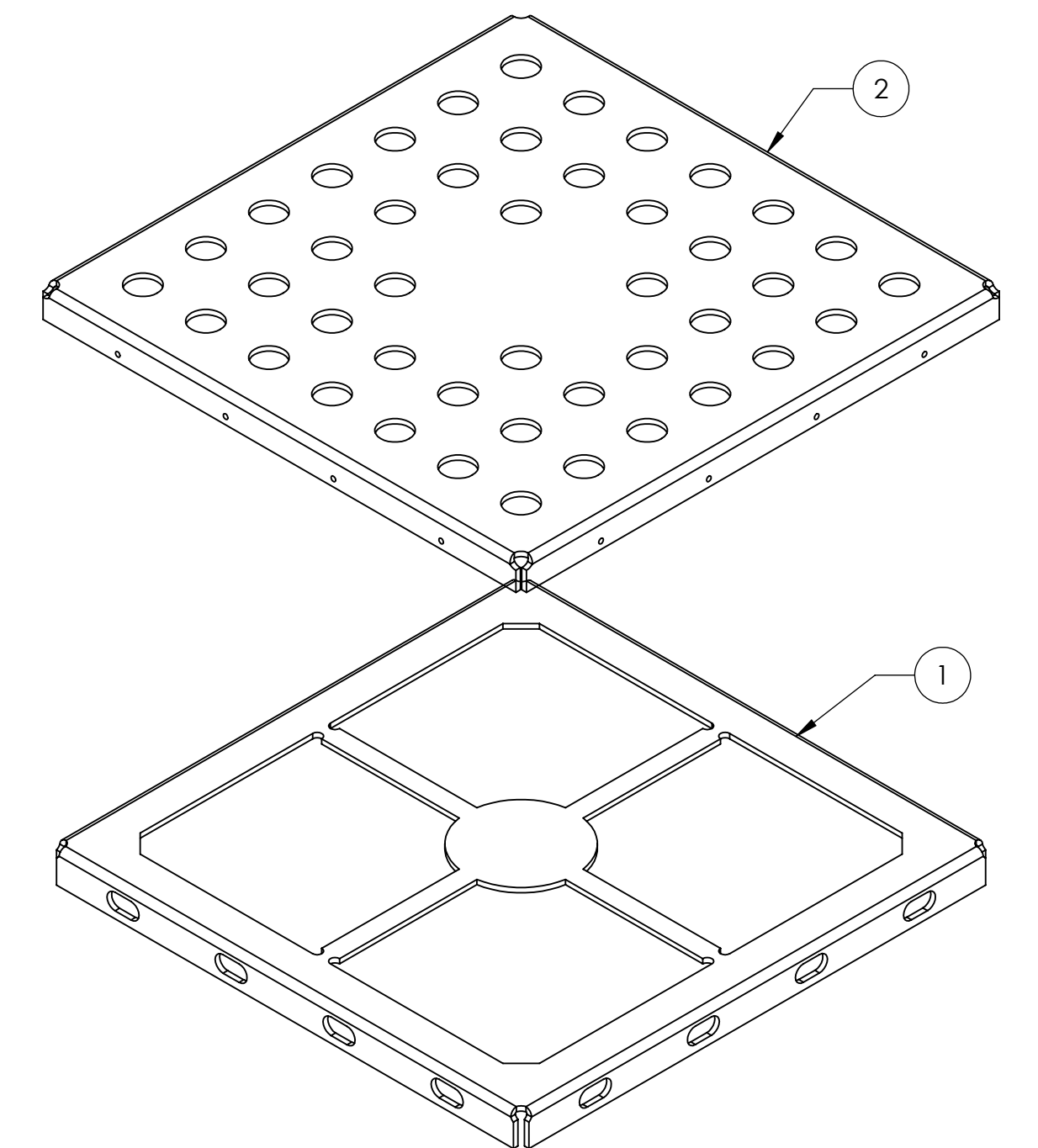
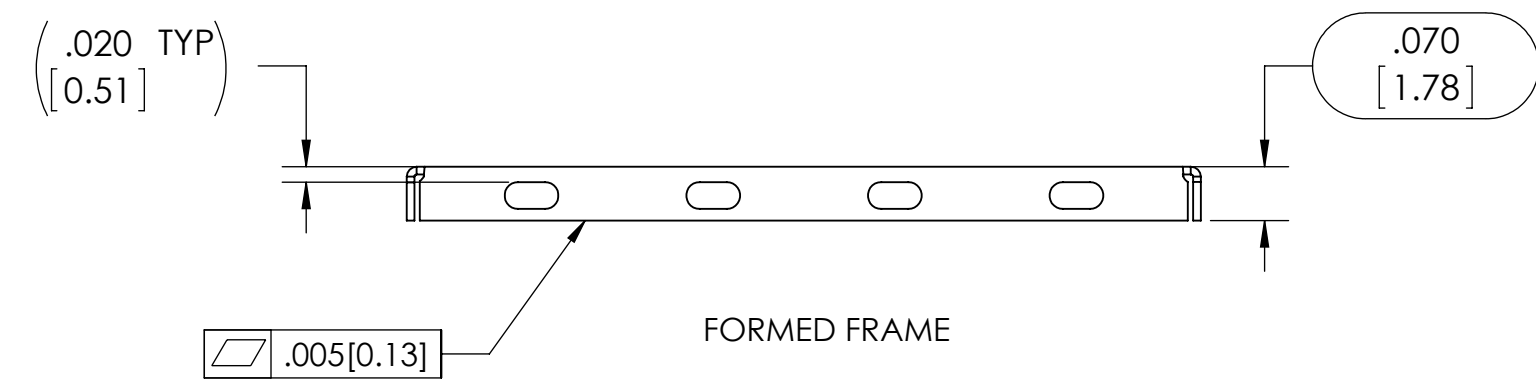
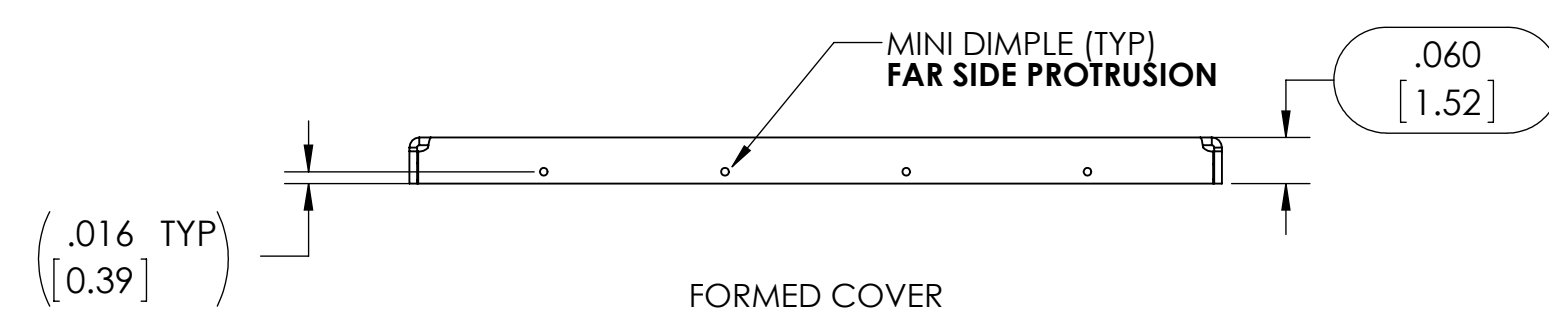
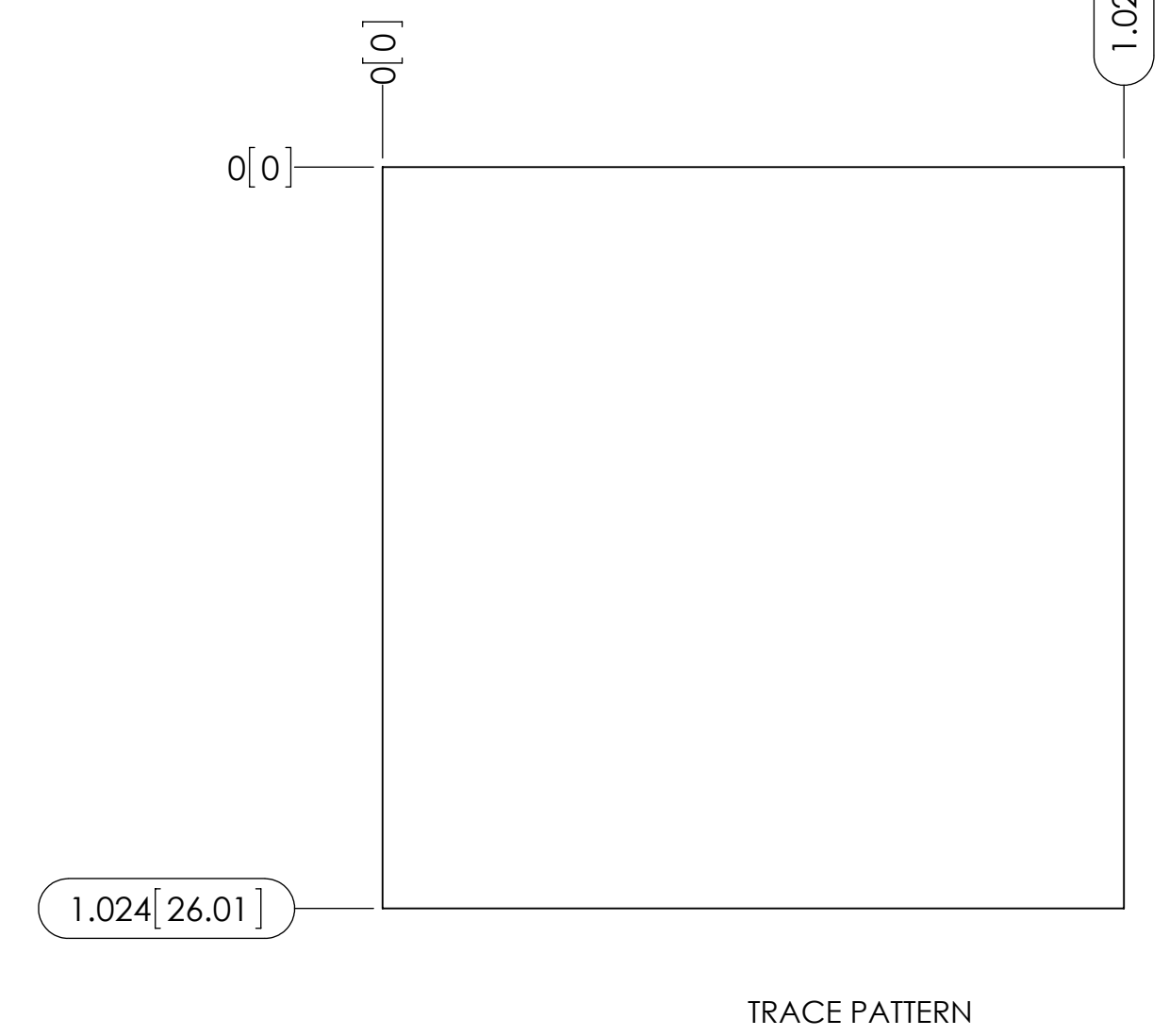
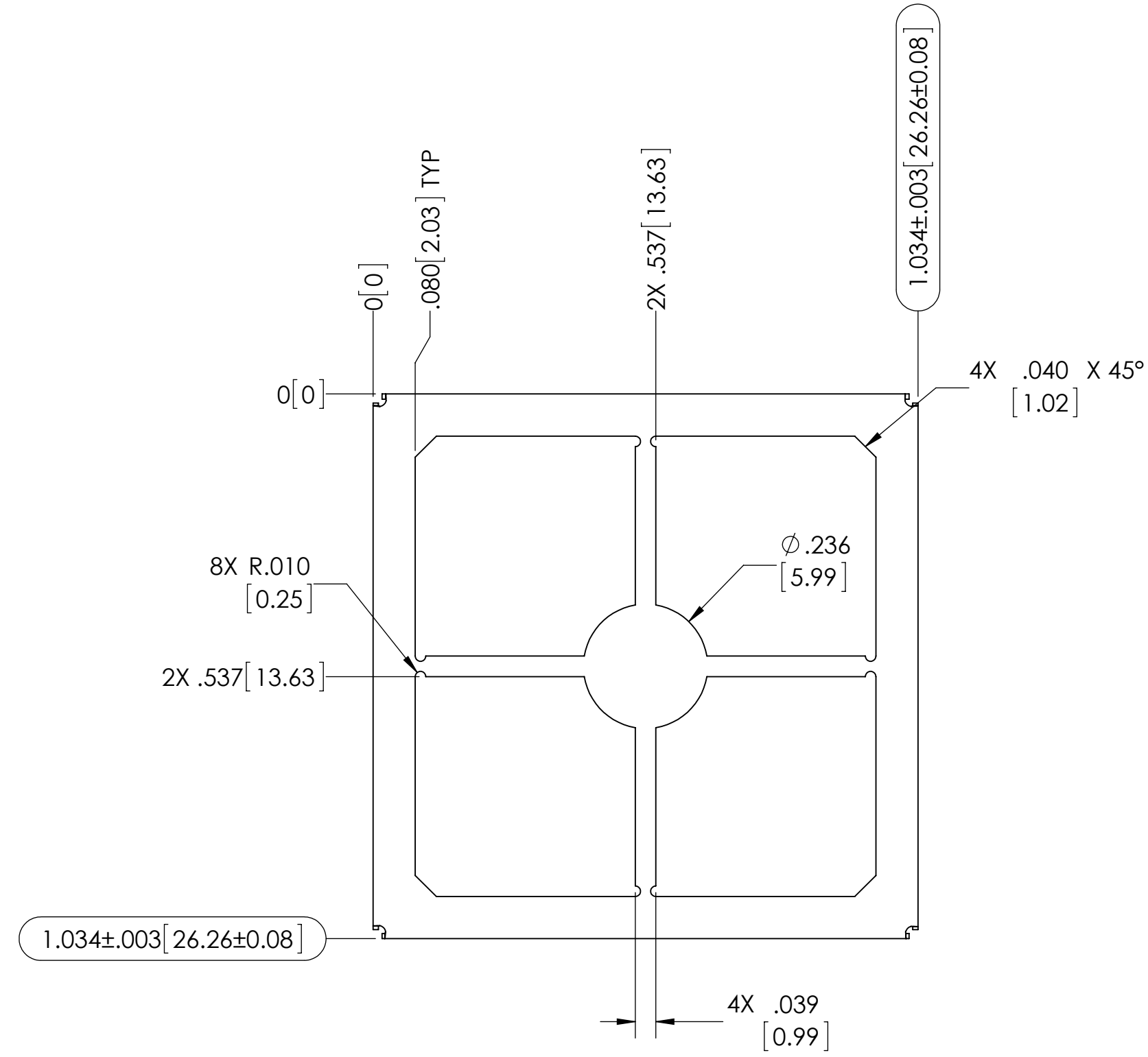
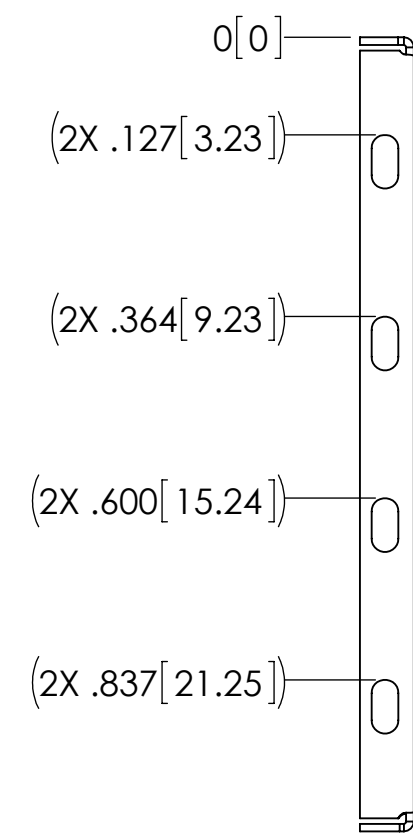
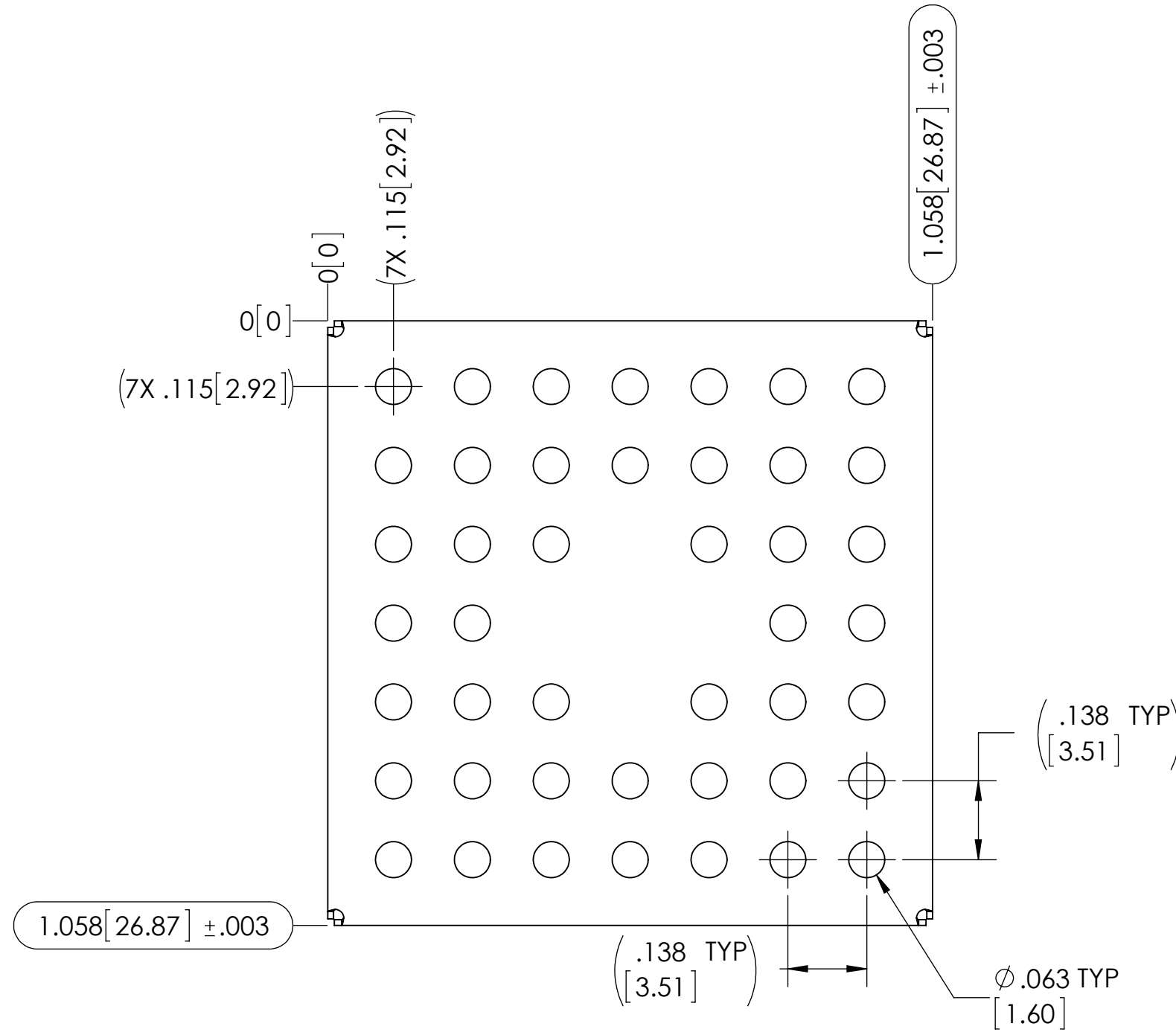
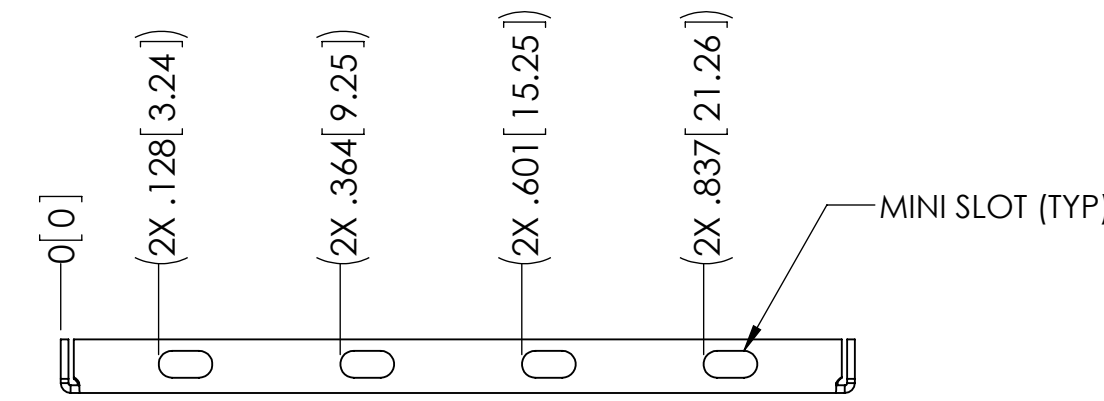
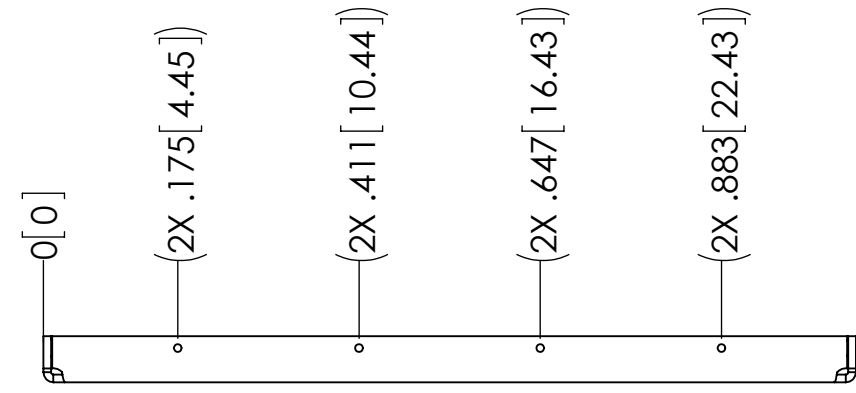


- NOTES:
1. ASSURE ASSEMBLY CAPABILITY BY MATCHING WITH MATING PART
  2. DIMENSIONS IN [ ] ARE IN MILLIMETERS



CARRIER TAPE

CARRIER TAPE SPECIFICATIONS						
PART NUMBER	DESCRIPTION	OVERALL DIMENSION	OVERALL HEIGHT	CARRIER TAPE WIDTH	CARRIER TAPE PITCH	PARTS PER REEL
SMS-252-F	FRAME	1.034 X 1.034 [26.26 X 26.26]	.070 [1.778]	44mm	32mm	550
SMS-252-C	COVER	1.058 X 1.058 [26.87 X 26.87]	.060 [1.524]	N/A	N/A	BULK PACK

THIS DOCUMENT CONTAINS PROPRIETARY INFORMATION OWNED BY LEADTECH OR DEVELOPED AT ITS OWN PRIVATE EXPENSE AND MAY NOT BE USED, DUPLICATED OR DISCLOSED IN WHOLE OR IN PART FOR ANY PURPOSE INCLUDING DESIGN, MANUFACTURE OR PROCUREMENT WITHOUT THE WRITTEN PERMISSION OF LEADTECH. LEADTECH DOES NOT GUARANTEE OR WARRANT THE PERFORMANCE CHARACTERISTICS.

ITEM NO.	PART NUMBER	DESCRIPTION	QTY.
1	SMS-252 F	FRAME	1
2	SMS-252 C	COVER	1

<b>UNLESS OTHERWISE SPECIFIED:</b> - ALL DIMENSIONS ARE IN INCHES - PART SHALL BE FREE OF BURRS AND SHARP EDGES - ALL DIMENSIONS SHOWN APPLY BEFORE PLATING AND COATINGS - ROHS COMPLIANT PER EU DIRECTIVE 2011/65/EU - POI = POINT OF INTERSECTION		THIRD ANGLE PROJECTION	
DRAWN BY: DJM 01/06/2010		APPROVED BY: -	
FINISH: BRIGHT		TITLE: SURFACE MOUNT SHIELD	
MATERIAL: .010[0.25] - PRE TIN STEEL		SIZE: D	DWG. NO.: SMS-252
SCALE: 4:1		CAGE CODE: 4J674	SHEET: 1 OF 1