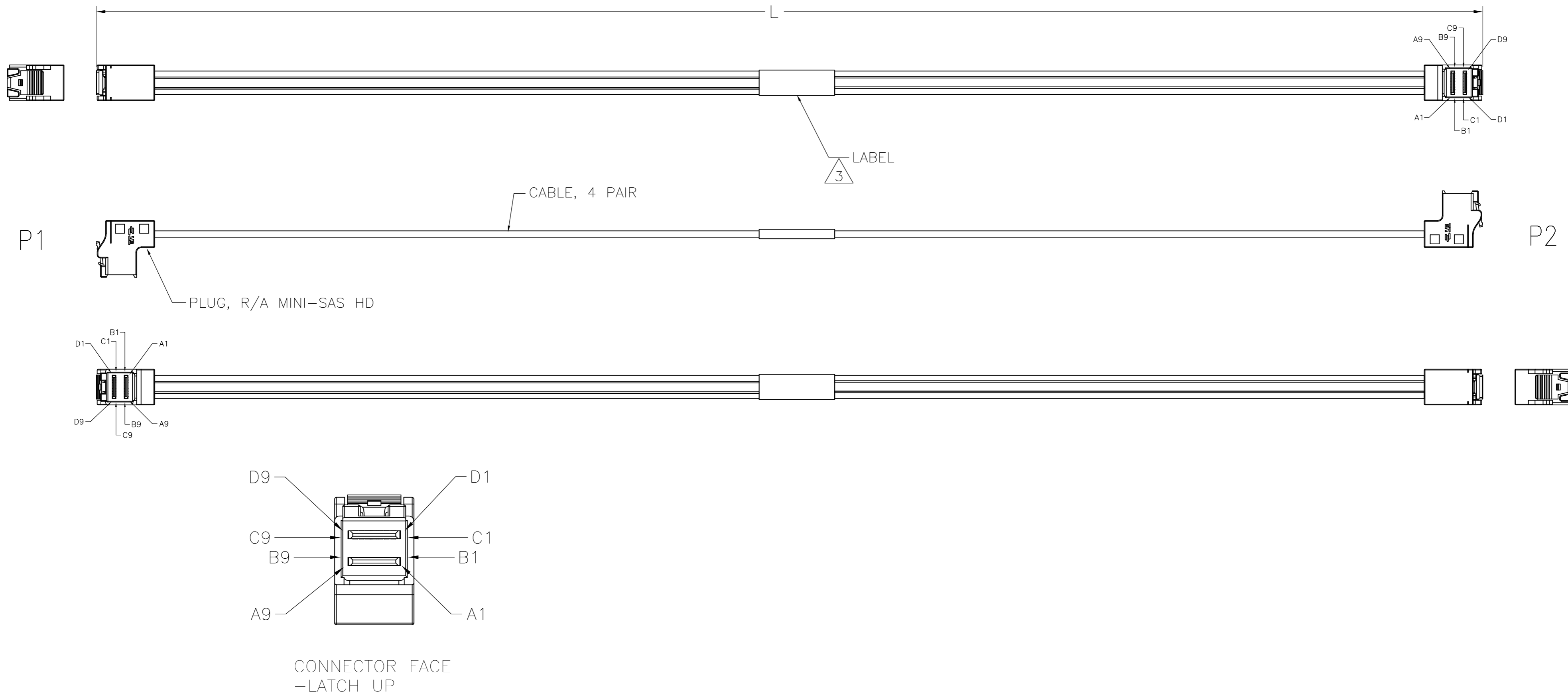


THIS DRAWING IS UNPUBLISHED. RELEASED FOR PUBLICATION  
 © COPYRIGHT - By - ALL RIGHTS RESERVED.

LOC	DIST	REVISIONS					
GP	00	P	LTR	DESCRIPTION	DATE	DWN	APVD
		A		INITIAL RELEASE	07JUL2015	MY	GG



1. ASSEMBLY TO BE 100% TESTED FOR CONTINUITY, SHORTS, AND OPENS, CABLES ASSEMBLYS ARE ALSO TO BE 100% TESTED FOR SIGNAL INTEGRITY, TO SAS 3.0 REQUIREMENTS.
2. ROHS AND REACH COMPLIANCE: PRODUCT AND PROCESSING MEETS REQUIREMENTS OF TE SPECIFICATION TEC-138-702.

3. LABEL CENTERED AND LABEL INFORMATION AS BELOW:

	2820329-[ ]	TE LOGO AND P/N
	--- METERS	LENGTH
	MADE IN -----	COUNTRY OF ORIGIN
	YYWWSSSS	YYWW IS DATE CODE, SSSS IS SERIAL
		BAR FOR YYWWSSSS

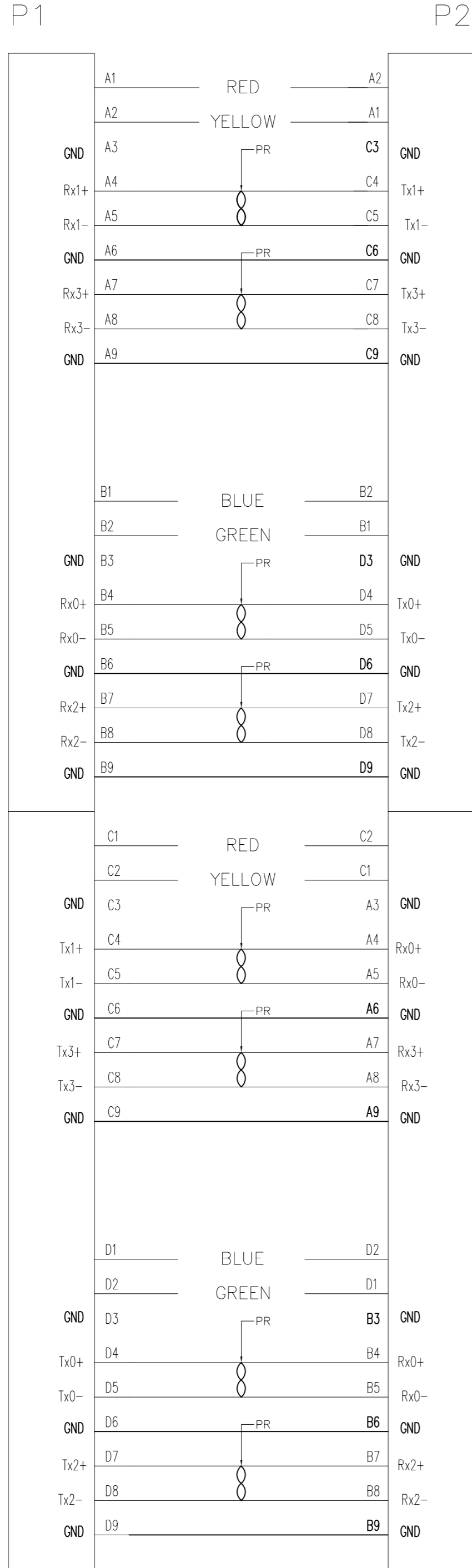
4. SEE SHEET #2 FOR WIRING SCHEMATIC.

1000	+25 -0	2820329-4
700	+25 -0	2820329-3
500	+25 -0	2820329-2
300	+25 -0	2820329-1
"L"[MM]		TE P/N

THIS DRAWING IS A CONTROLLED DOCUMENT.		DWN	16/JUN/2014	TE Connectivity C/A, INTERNAL HD MINI SAS, R/A TO R/A 100 OHMS, 4X, NON HALOGEN	
DIMENSIONS:		CHK	16/JUN/2014		
mm		APVD	16/JUN/2014		
TOLERANCES UNLESS OTHERWISE SPECIFIED:		PRODUCT SPEC			
0 PLC ± -		APPLICATION SPEC		SIZE	A2
1 PLC ± -				CAGE CODE	00779
2 PLC ± -				DRAWING NO	C=2820329
3 PLC ± -				RESTRICTED TO	
4 PLC ± -					
ANGLES ± -					
MATERIAL		WEIGHT		SCALE	N.T.S.
				SHEET	1 of 2
				REV	A
CUSTOMER DRAWING					

THIS DRAWING IS UNPUBLISHED. RELEASED FOR PUBLICATION  
 © COPYRIGHT - By - ALL RIGHTS RESERVED.

LOC		DIST		REVISIONS			
P	LTR	DESCRIPTION	DATE	DWN	APVD		
GP	00	-	SEE SHEET 1	-	-	-	-



# WIRING PATTERN

THIS DRAWING IS A CONTROLLED DOCUMENT.		DWN	M.YI	16/JUN/2014	 TE Connectivity	NAME		C/A, INTERNAL HD MINI SAS, R/A TO R/A 100 OHMS, 4X, NON HALOGEN		
DIMENSIONS:		CHK	G.GUTGOLD	16/JUN/2014		APVD		G.GUTGOLD		RESTRICTED TO
mm		PRODUCT SPEC		APPLICATION SPEC		SIZE	CAGE CODE	DRAWING NO		
		TOLERANCES UNLESS OTHERWISE SPECIFIED:		WEIGHT		A2	00779	C=2820329		
MATERIAL		FINISH		CUSTOMER DRAWING		SCALE	N.T.S.	SHEET	2 OF 2	
								REV	A	

2820329