

PRODUCT NUMBER
10072354-X01-XXXLF

PLATING
S = 0.38µm GOLD/GXT ON CONTACT AREA
2µm MIN MATTE TIN ON TAIL
G = 0.76µm GOLD/GXT ON CONTACT AREA
2µm MIN MATTE TIN ON TAIL
F = GOLD FLASH ON CONTACT AREA
2µm MIN MATTE TIN ON TAIL
1.27µm MIN NICKEL UNDERPLATING

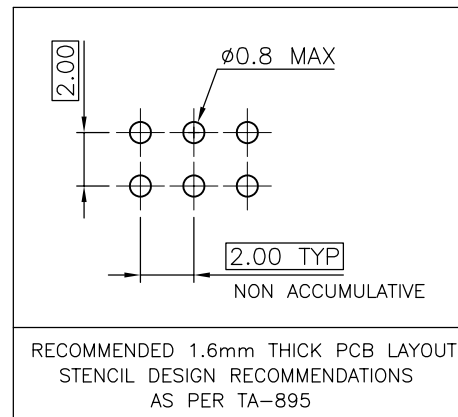
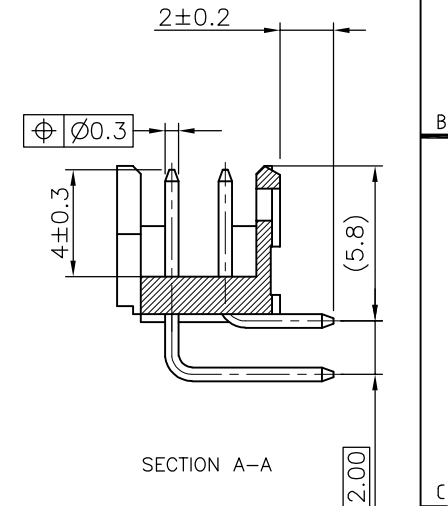
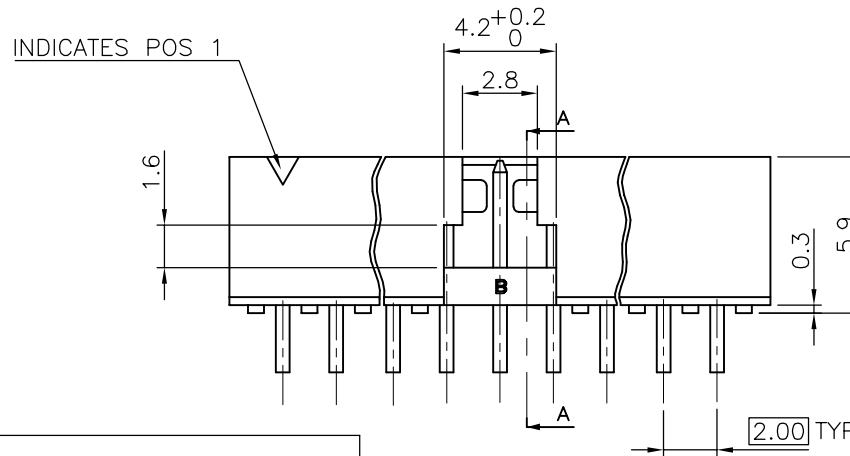
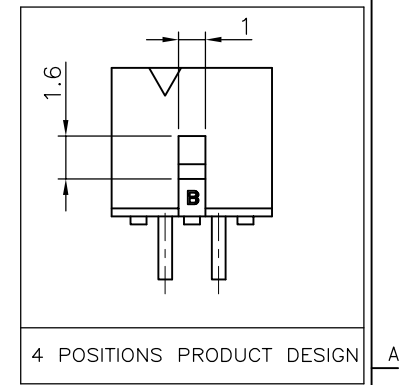
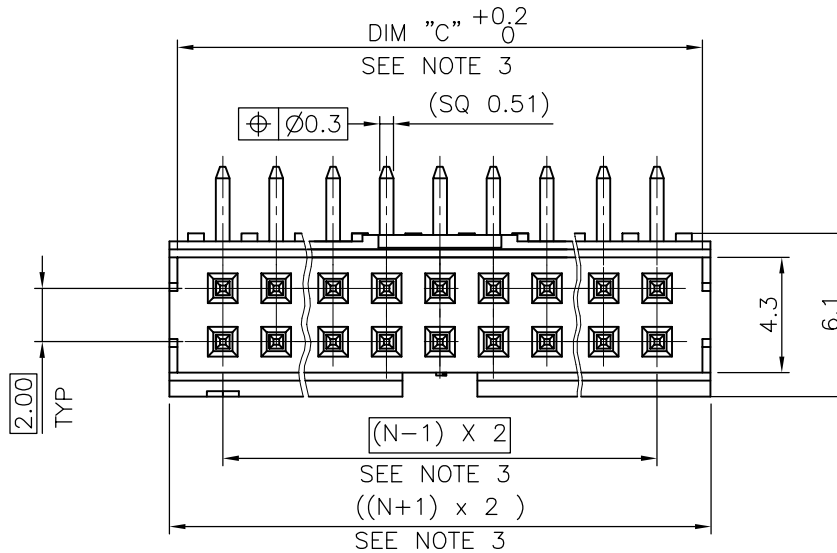
RoHS COMPATIBLE, SEE NOTE 6
PACKAGING (SEE NOTE 5)
TOTAL NB OF POSITIONS, 04 TO 50
COLOR OPTION, NOTE 1

NOTES:

- MATERIAL HOUSING: HIGH TEMP. THERMOPLASTIC UL94V-0 MEETS GWT 850°C 960°C
- = STANDARD COLOR CREAM
B = OPTIONAL COLOR BLACK
- MATERIAL TERMINAL: COPPER ALLOY
- TO DETERMINE DIMENSIONS:
N = NUMBER OF POSITIONS PER ROW
- 7N MIN. PIN RETENTION IN EITHER DIRECTION.
- PACKAGING:
= PLASTIC BOX
U = TUBE AVAILABLE FROM 06 TO 50 POS
K = TAPE & REEL WITHOUT PICK UP CAP, AS AVAILABLE

6. RoHS COMPATIBLE PRODUCT SPECIFICATIONS

- PLATING:**
- "LF" MEANS THE PRODUCT IS LEAD-FREE, 2µm MINIMUM MATTE TIN OVER 1.27µm MINIMUM NICKEL UNDERPLATE.
- MANUFACTURING PROCESS COMPATIBILITY**
- THE HOUSING WITHSTAND EXPOSURE TO 260°C PEAK TEMPERATURE FOR 30 SECONDS MAX IN A CONVECTION, INRA-RED OR VAPOR PHASE OR REFLOW OVEN.
- LABELLING:**
- MEETS PACKAGING SPECS AS PER GS-14-920
- THIS PRODUCT MEETS EUROPEAN DIRECTIVES AND OTHER COUNTRY REGULATIONS AS DISCRIBED IN GS-47-0004



mat'l. code SEE NOTES		surface ISO 1302 ✓	tolerance ISO 406 ISO 101	projection 101	product family MINITEK
ltr	ecn no	dr	date	tolerances unless otherwise specified	title
H	B-19190	LMU	14.10.24	angles linear	SHR HEADER 2.00 RIGHT ANGLE PIP
J	B-20110	BVE	15.01.28	X.X ±0.13 X.XX ±0.05	
K	B-20254	LMU	15.02.16	±2'	scale 1:1
L	B-20611	AMA	15.03.31	dr	
M	F-23051	AMA	16.01.15	engr	
N	F-45699	LMU	22.08.22	chr	
				appd	
sheet index		revision sheet			product family MINITEK title SHR HEADER 2.00 RIGHT ANGLE PIP dwg no 10072354 type CUSTOMER Drawing