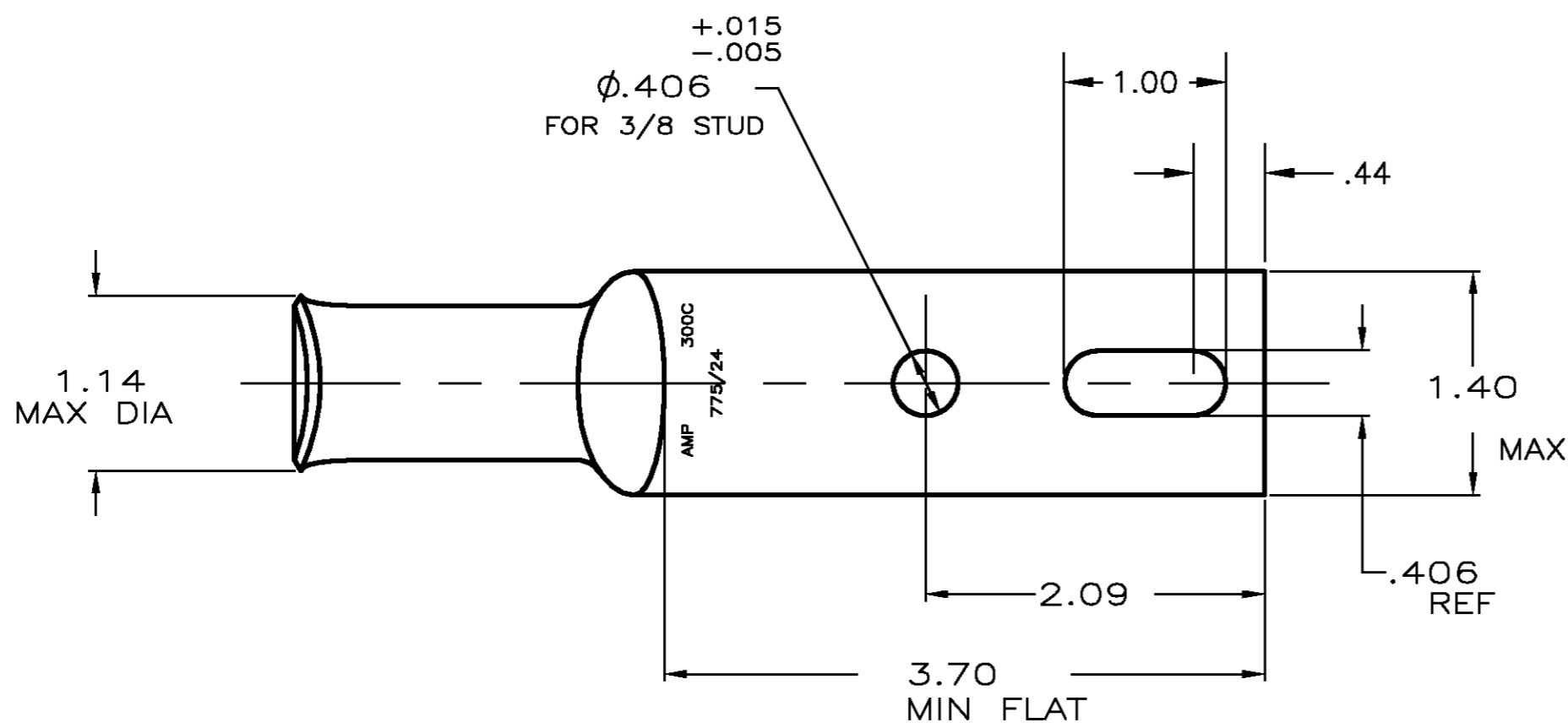
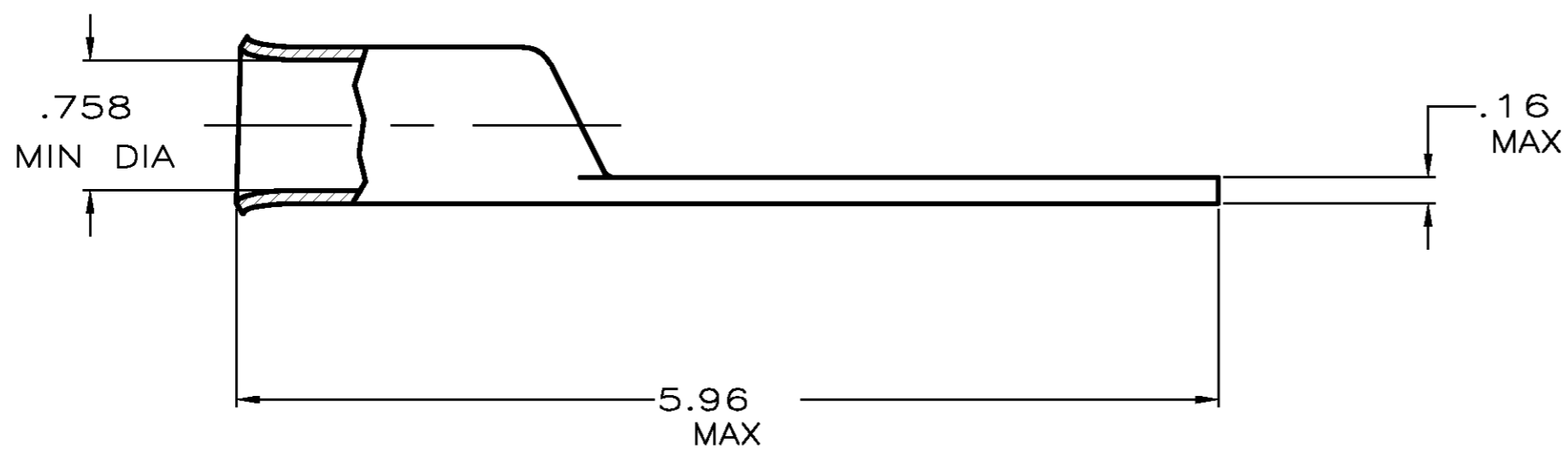


THIS DRAWING IS UNPUBLISHED. RELEASED FOR PUBLICATION
 © COPYRIGHT BY TYCO ELECTRONICS CORPORATION. ALL RIGHTS RESERVED.

LOC	DIST	REVISIONS					
		P	LTR	DESCRIPTION	DATE	DWN	APVD
G	86		A	REV PER 0G3A-0724-02	27NOV02	JR	MS



1 CIRCULAR MIL RANGE: 275-325 MCM
 △ TIN PL 0.00381[.000150] MIN THK PER ASTM B-545



605601-1
 PART NO.

THIS DRAWING IS A CONTROLLED DOCUMENT.		DWN JR RUTH 13DEC01	Tyco Electronics Corporation Harrisburg, PA 17105	
DIMENSIONS: INCHES		CHK C KULYNYCH 13DEC01	NAME MJ SPICER	
TOLERANCES UNLESS OTHERWISE SPECIFIED:		APVD 13DEC01	PRODUCT SPEC 108-30200	
0 PLC ± -		APPLICATION SPEC		
1 PLC ± -		SIZE		
2 PLC ± .020		CAGE CODE		
3 PLC ± -		DRAWING NO		
4 PLC ± -		RESTRICTED TO		
ANGLES ± -		SCALE		
MATERIAL ANNEALED COPPER	FINISH △	WEIGHT .35 LB	A2 00779	C-605601
CUSTOMER DRAWING		SCALE 1:1	SHEET 1 OF 1	REV A

605601

A