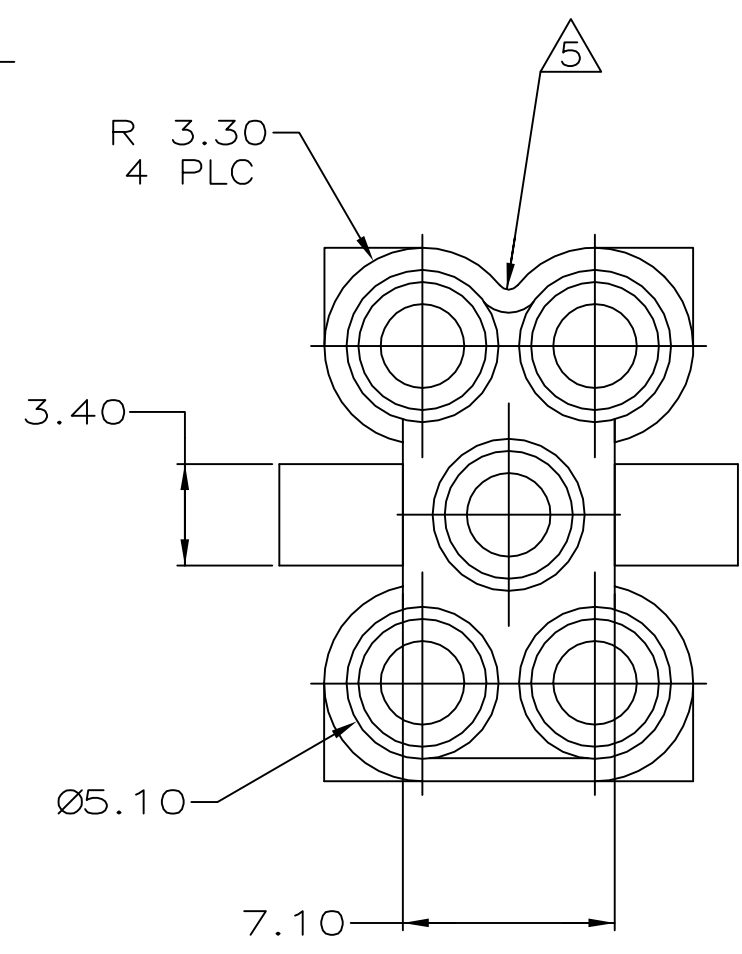
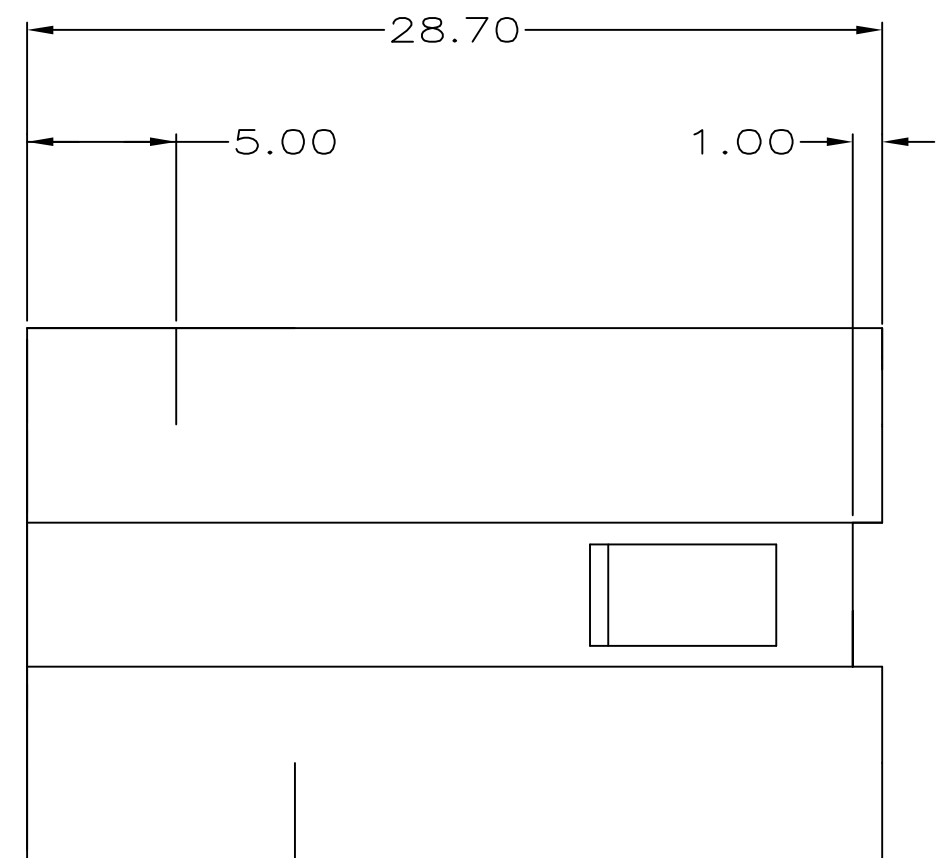
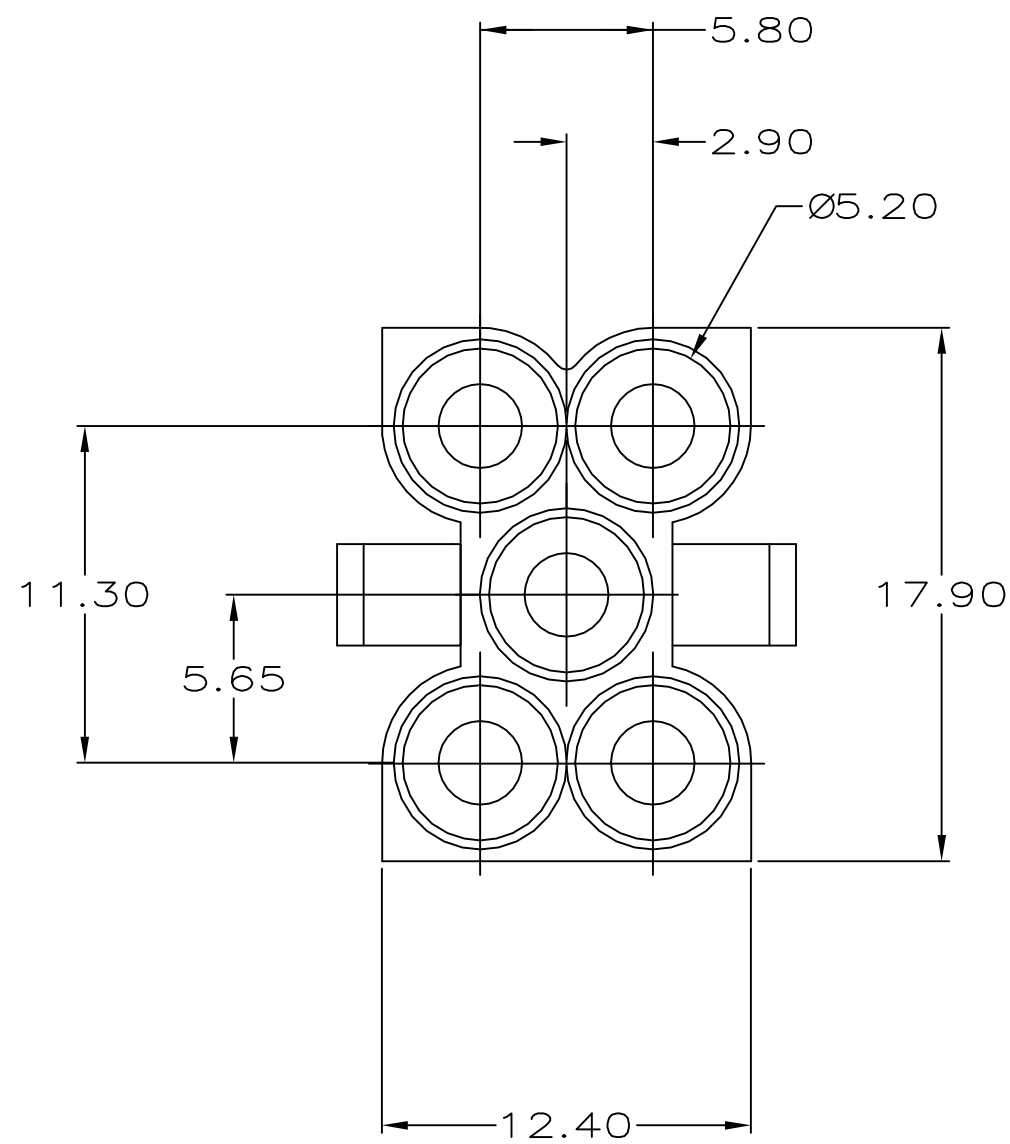


THIS DRAWING IS UNPUBLISHED. RELEASED FOR PUBLICATION
 © COPYRIGHT - TE Connectivity ALL RIGHTS RESERVED.

REVISIONS					
P	LTR	DESCRIPTION	DATE	DWN	APVD
	E1	REVISED PER ECR-17-008392	29JUN2017	BW	KR



- ACCEPTS MATE-N-LOK™ PIN 350218 IN CORNER CIRCUITS, AND GROUND PIN 350654 IN CENTER CIRCUIT.
- CENTER GROUND PIN RECESSED 1.50 MIN AT MATING END; 3.10 MIN. AT BACK END. OTHER 4 PINS RECESSED 3.30 MIN AT MATING END; 3.80 MIN AT BACK END.
- FOR SUB-BASES 1,2, OR 3 RADII TO BE 0.20 MAX. FOR SUB-BASES 4,5, OR 6 RADII TO BE 2.80±0.20.
- CAUTION: THIS CONNECTOR IS NOT POLARIZED. IT HAS BEEN DESIGNED IN ACCORDANCE WITH THE INTERNATIONAL ORGANIZATION FOR STANDARDIZATION DESIGN DEPICTED IN DOCUMENT 5599/III DATED 4-27-77 UNDER RESOLUTION 59 OF ISO/TC 131/SC5/WG 3. INTENDED USE IS AS SHOWN IN FIGURE 1-1.
- VISUAL POLARIZING FEATURE.
- DIMENSIONS SHOWN REPRESENT PRODUCT IN DRY, AS MOLDED, CONDITION. ADDITIONAL 2% GROWTH DUE TO SUBSEQUENT MOISTURE ABSORPTION MAY OCCUR AND SHOULD BE ACCOUNTED FOR.

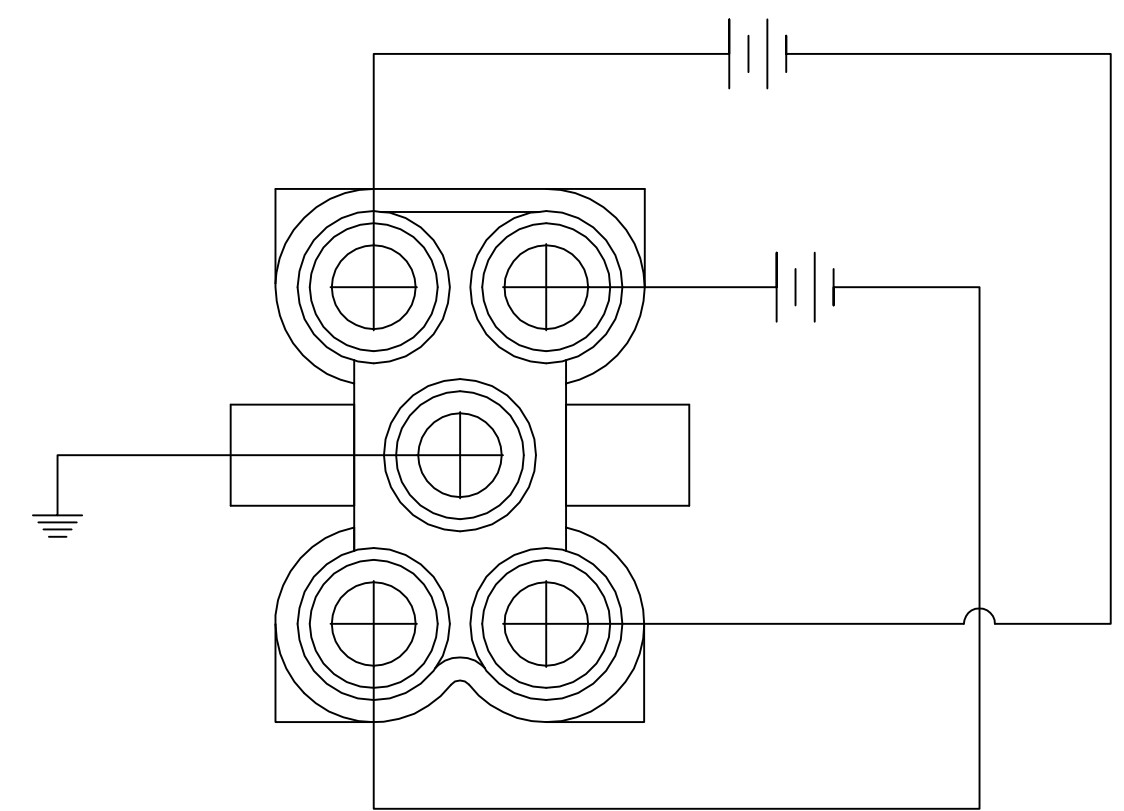
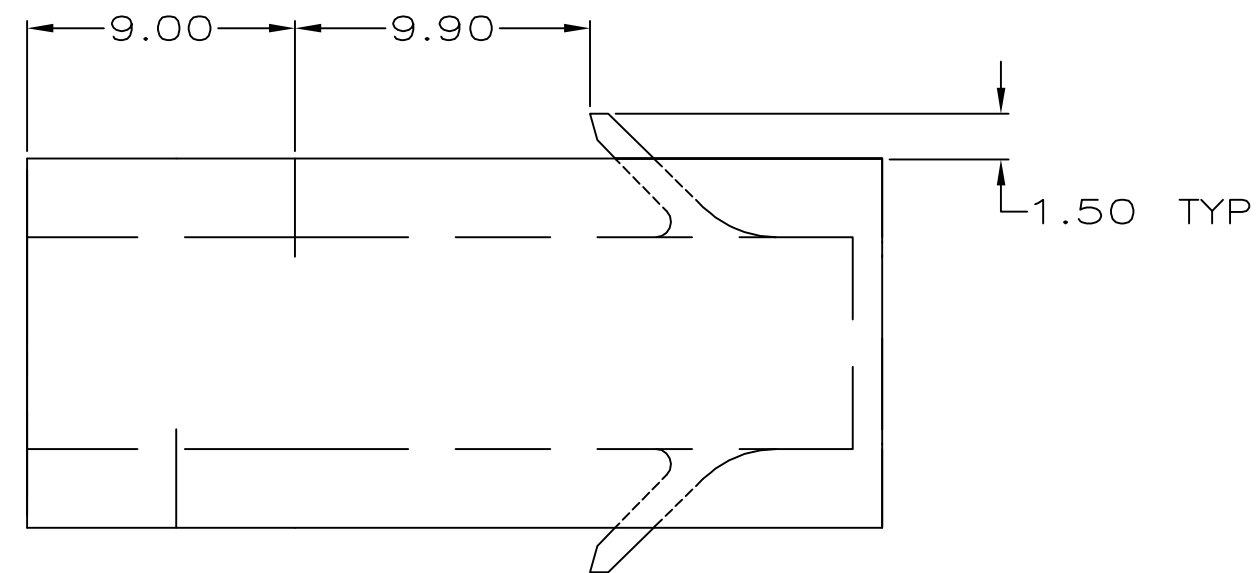
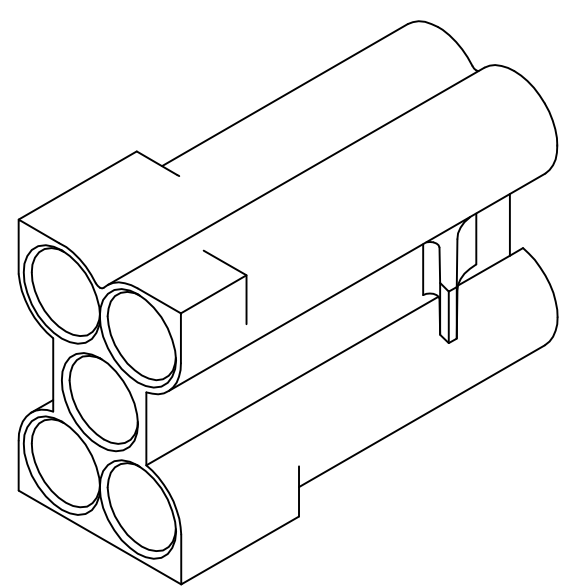
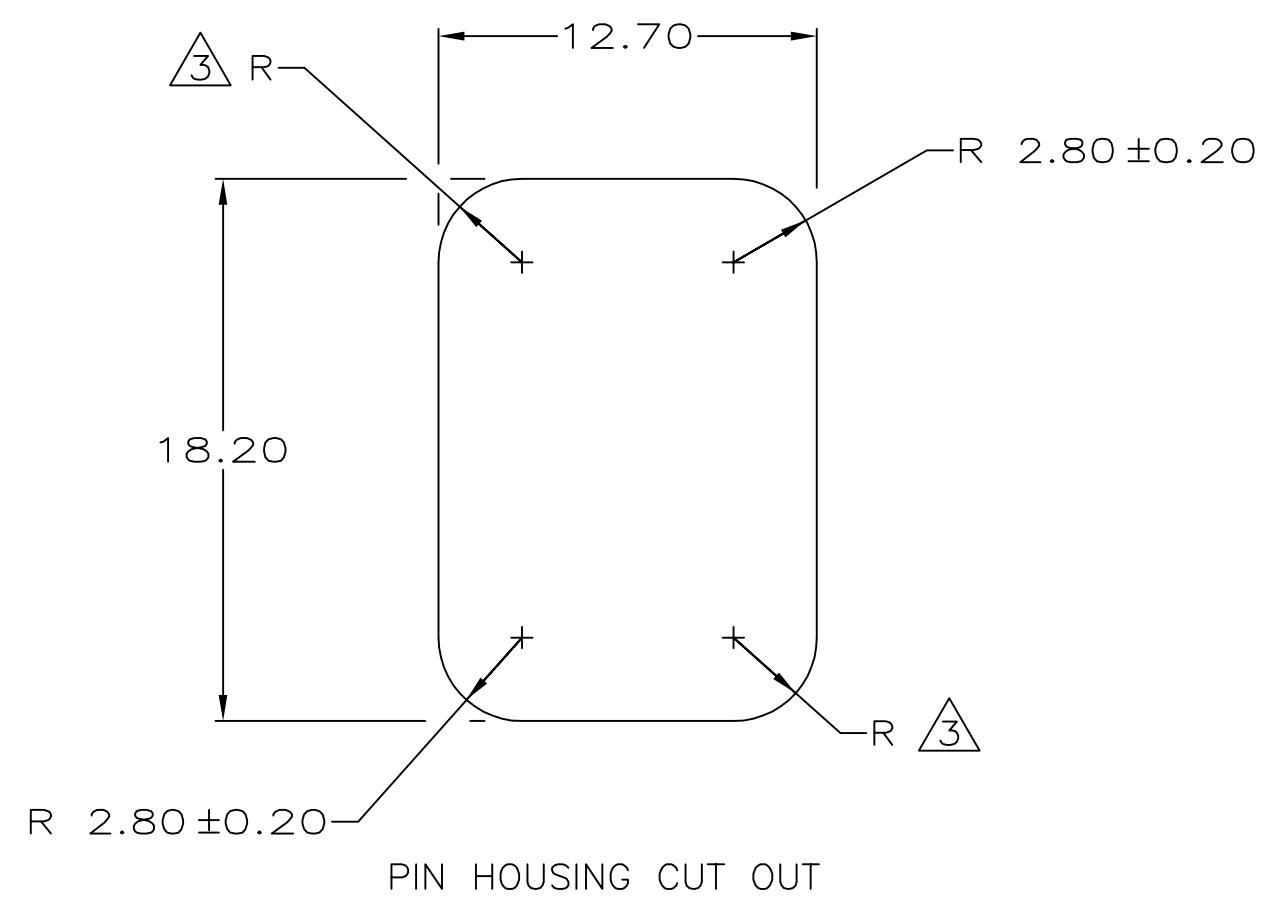


FIGURE 1-1



THIS HOUSING TO BE INSTALLED IN SUBBASE

PIN HOUSING CUT OUT

1-640405-0
PART NUMBER

THIS DRAWING IS A CONTROLLED DOCUMENT.		DWN K. WHITAKER 11-30-92			NAME	
DIMENSIONS: mm [INCHES]		CHK R. SWING 11-30-92			VALVE CONNECTOR, PIN HOUSING, 5 CIRCUIT, UNIVERSAL MATE-N-LOK™	
TOLERANCES UNLESS OTHERWISE SPECIFIED:		APVD D. SELF 12-11-92	SIZE	CAGE CODE	DRAWING NO	RESTRICTED TO
0 PLC ± -		PRODUCT SPEC	A2	00779	C-640405	-
1 PLC ± -		APPLICATION SPEC	CUSTOMER DRAWING		SCALE	SHEET
2 PLC ± 0.10		WEIGHT	0.000000		4:1	1 of 1
3 PLC ± -		FINISH	NATURAL		REV	E1
4 PLC ± -						
ANGLES ± -						

CUSTOMER DRAWING