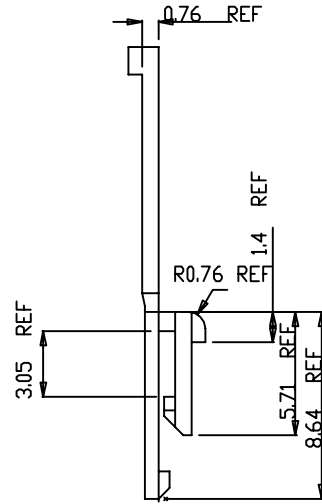
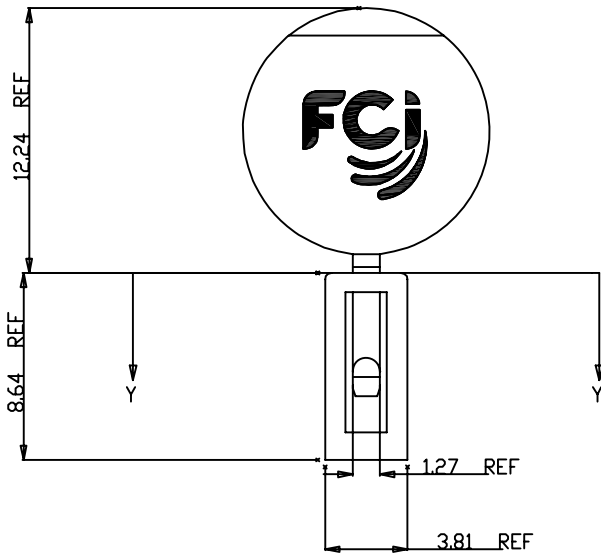
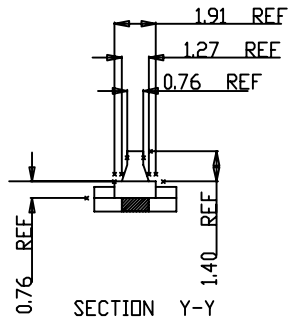


This document is the property of and embodies CONFIDENTIAL and PROPRIETARY information of FCI. No part of the information shown on this document may be used in any way or disclosed to others without the written consent of FCI. Copyright FCI.



PRODUCT NO
SEE TABLE



NOTES:
 1.MAT'L SEE TABLE.
 2.COLOR:SEE TABLE.
 3.PART NUMBERS WITH LF IN THE END ARE LEAD FREE.

STYLE A

TOLERANCES UNLESS OTHERWISE SPECIFIED

LINEAR	0.X	±0.3
	0.XX	±0.10
	0.XXX	±0.050
ANGULAR	0°	±2°

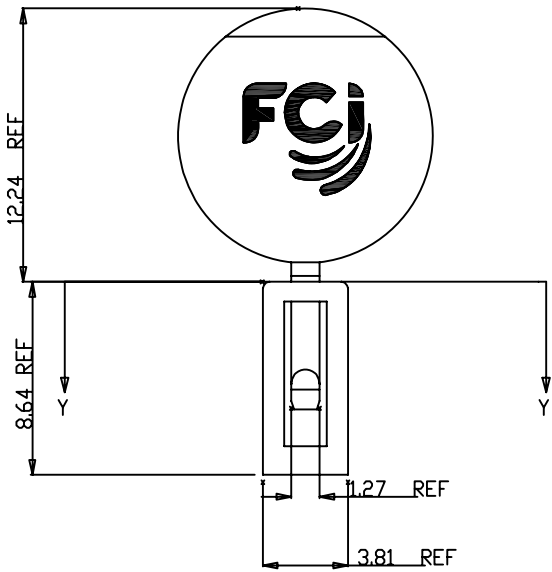
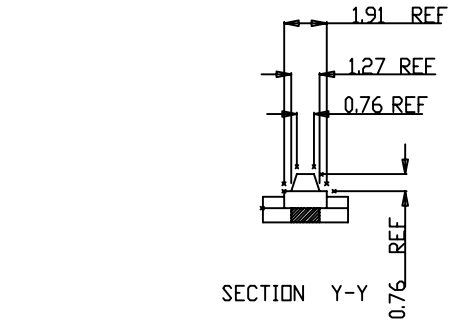
Mark with 66423B REV. in area indicated by X....

rev	ecn no	dr	date
D	V10391	JWB	3/2/91
E	N06-0088	LONG	4/06/06
F	N06-0282	WG	11/8/06
G	ELX-N-20526	TIM	2015-03-24

Material	-	Spec ref	
Mat code	-	surface	✓
Heatreat	-	tolerance	
Plating/Finish	-	projection	⊕
Dr	J.M.BAIR	3/2/91	size A4
Eng	M.C.SMYK	3/2/91	Scale 3.000
Chr	M.C.SMYK	3/2/91	Product family QUICKIE
Appr	M.C.SMYK	3/2/91	Model Name 66423
			Model Revision -
			REL Level

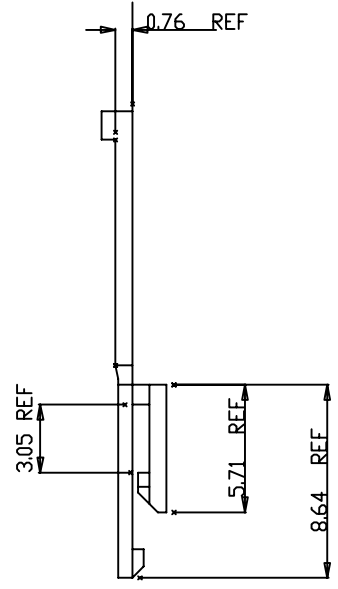
	title	HEADER POLARIZING KEY	dwg no	66423	Rev.	G
Pro/E file	catalog no	-	CUSTOMER	sheet 1 of 2		

This document is the property of and embodies CONFIDENTIAL and PROPRIETARY information of FCI. No part of the information shown on this document may be used in any way or disclosed to others without the written consent of FCI. Copyright FCI.



STYLE B

PRODUCT NO	STYLE	COLOR	MATERIAL NO
66423-001/-001LF	A	BLUE	16-508-069 OR 16-508-131
66423-002/-002LF	B	BLUE	
66423-003/-003LF	A	BLACK	16-508-113
66423-004/004LF	B	BLACK	16-508-102
66423-005/005LF	A	BEIGE	16-508-114
66423-006/-006LF	B	BEIGE	16-508-115



Material	-	Spec ref		
Mat code	-	surface	- ✓	tolerance
Heatreat	-	projection	⊕	MM
Plating/Finish	-	size	A4	Scale 3.000
Dr	J.M.BAIR	3/2/91	Product family	-
Eng	M.C.SMYK	3/2/91	Model Name	66423b
Chr	M.C.SMYK	3/2/91	Model Revision	-
Appr	M.C.SMYK	3/2/91	REL Level	
		title	HEADER POLARIZING KEY	
Pro/E file	catalog no	dwg no	66423	Rev. G
			CUSTOMER	sheet 2 of 2