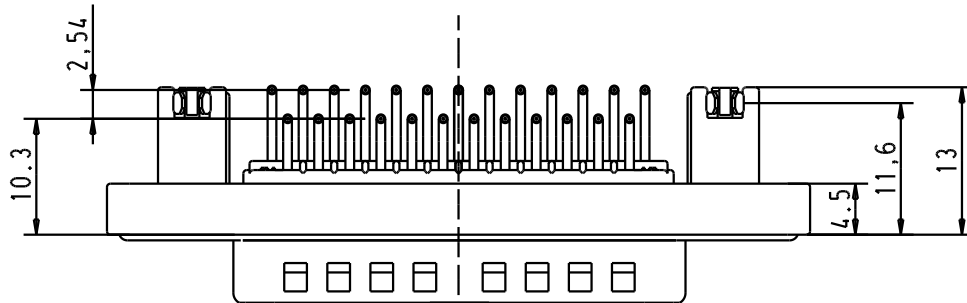
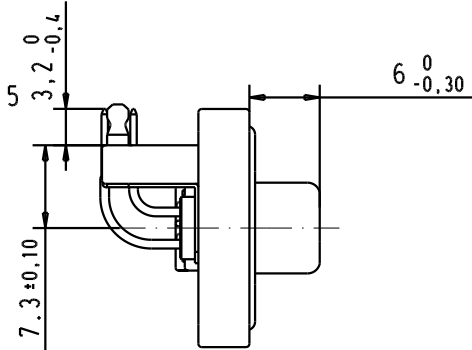
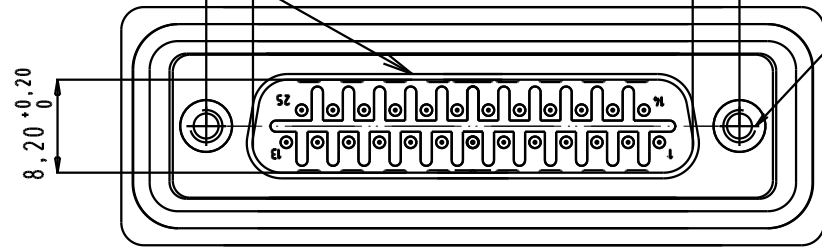


5 4 3 2 1

Mating face according to : MIL-C-24308 / DIN 41652 / CECC 75.01-802

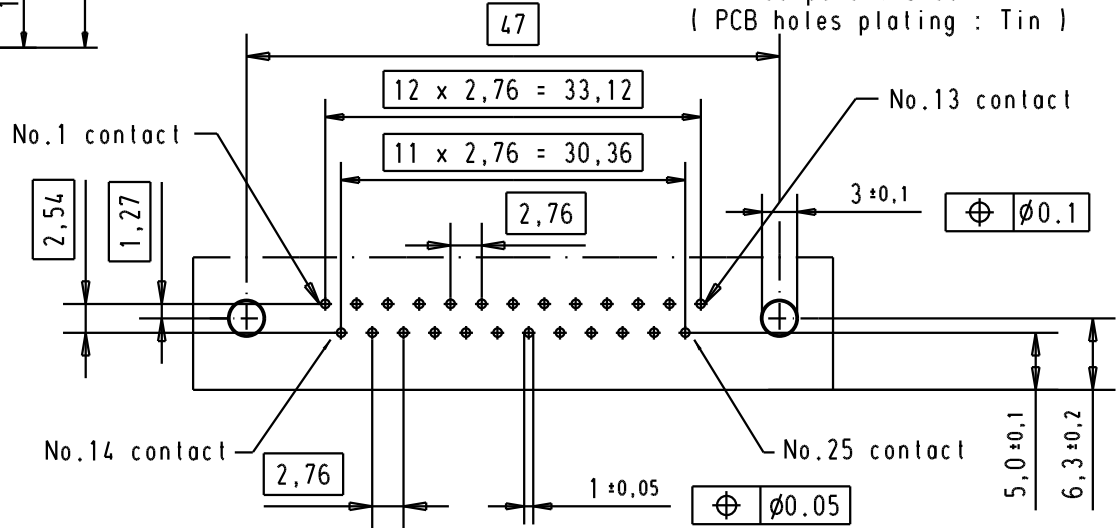
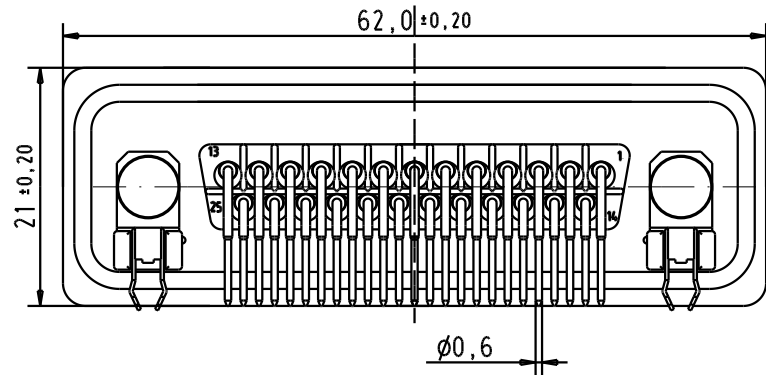
47.04 ± 0.10
 $38.9 \begin{smallmatrix} +0.20 \\ 0 \end{smallmatrix}$

4-40 UNC -2B
length of engagement 3.5



1) Protection standard IP 67 according to IEC 529 / DIN 40050.

PCB layout hole
component side
(PCB holes plating : Tin)



D

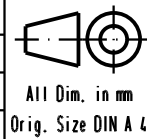
C

B

A

09 67 525 7658 Au plating 0,76 µm mini

			Dat.		Name
			Detail.	20/01/04	S.H.
			Insp.		
			Stand.		



D-SUB IP67 male 25 Poles
angled solder pin with
bracket and clip for 1.6mm PCB
4-40 UNC nut

Maßstab/
Scale

Part Number	Performance Level

31587	20/01/04	S.H	HARTING ELEKTRONIK F-95972 Paris
Mod.	Dat.	Name	



TB 09 67 525 7658

Blatt / Page

Sub.