

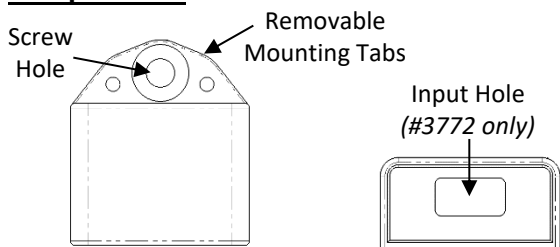
Short (3/8") End Caps



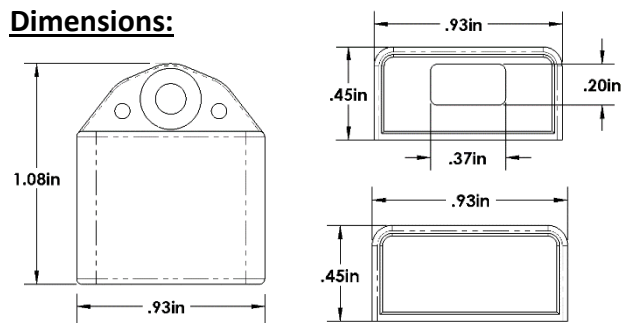
SKU #3772 (With Input Hole)
SKU# 3773 (Without Input Hole)

The new **DIY Radiant Edge Series System** from Inspired LED allows contractors and customers alike to build their own elegant low-voltage fixtures in-field. Simply combine aluminum channels, lenses, and end caps with your choice of 12V or 24V flexible LED strips to create the perfect lighting solution for any home or business!

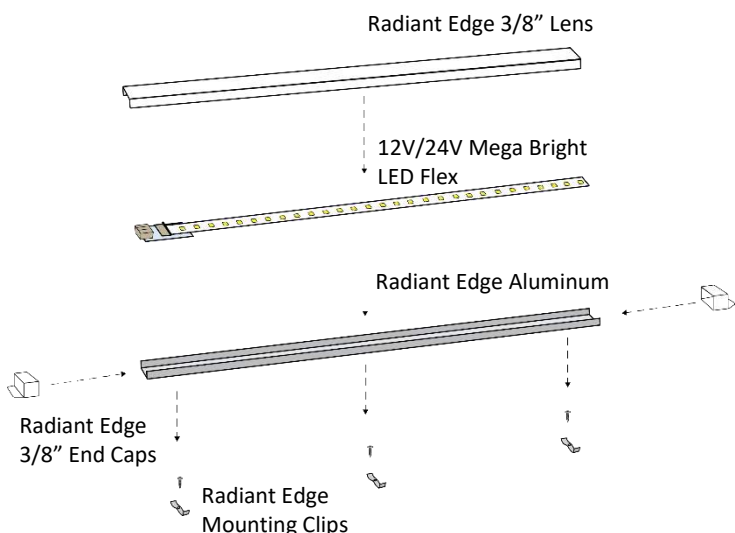
Components:



Dimensions:



Assembly:



Product Features:

- Compatible with Radiant Edge Series short diffuser lens (3771-W) and aluminum channel (3662)
- Radiant Edge System recommended for use with:
 - 12V Mega Bright, or 24V Mega Bright LEDs (see LED specs for more info including power requirements)
 - 3.5mm Tiger Paws® or Micro-lock Tiger Paws®
- Lightweight ABS plastic polymer material
- Mounting tabs can be bent & removed for aesthetic appeal
- Sold individually with mounting screw included

Specifications:

- Width: 0.93", Height: 0.45", Length: 1.08"
- Net Weight: 2g (each)



**See full installation guide for step-by-step instructions.*