

MATERIALS AND FINISHES

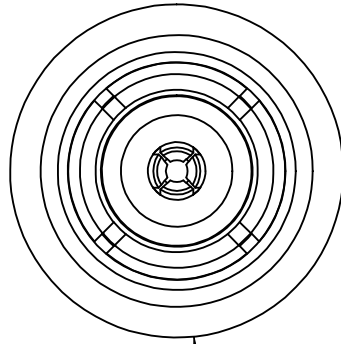
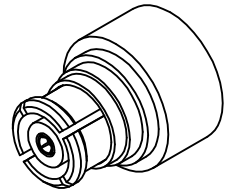
BODY: BERYLLIUM COPPER  
PLATED: GOLD

CENTER CONTACT: BERYLLIUM COPPER  
PLATED: GOLD

INSULATOR: TEFLON

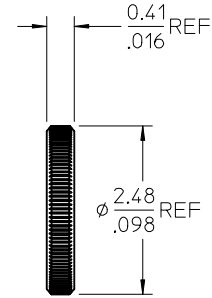
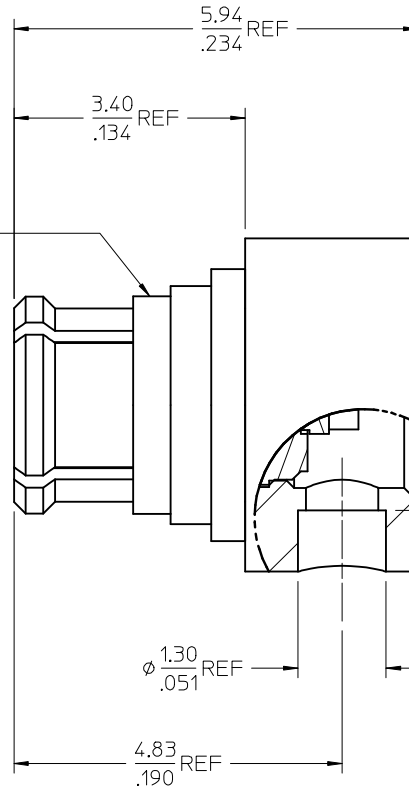
EMI/ANTI-ROCK RING: BRASS  
PLATED: GOLD

CAP: BRASS  
PLATED: GOLD

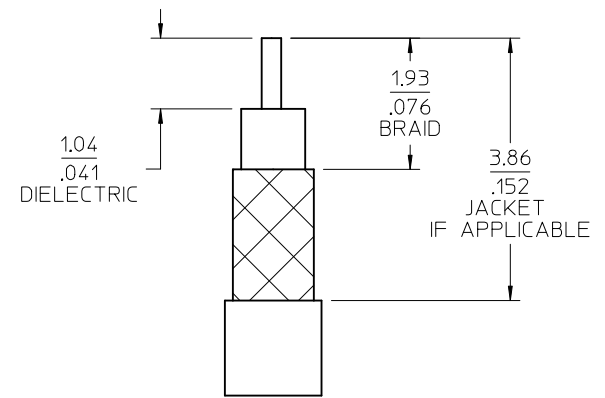


$\phi$  4.90  
.193 REF

EMI/ANTI-ROCK RING



CAP



SUGGESTED CABLE STRIP  
047 CABLE

LABEL FORMAT FOR  
73415-3583

PART NUMBER: 73415-3580  
ORDER NUMBER: 73415-3583  
MOLEX  
DATE: YYWW

73415-3584	30 $\mu$ "	MOLEX INTERNAL USE ONLY. NOT AVAILABLE
73415-3583	30 $\mu$ "	73415-3580 ONE PIECE PER BAG
73415-3582	8 $\mu$ "	TRAY
73415-3581	30 $\mu$ "	PLACE 73415-3580 INTO SMALL TRAY
73415-3580	30 $\mu$ "	TRAY
PART NO.	GOLD THICKNESS	PACKAGING

MIL-STD-348A, FIG. 326-1	INTERFACE
SPECIFICATION	DESCRIPTION

CHG: UPDATED -3584 PACKAGING DESCRIP. EC NO: URF2013-0103 DRWN:JLEE02 2012/08/29 CHKD:SSS 2012/08/29 APPR:JWIENER 2012/08/29	QUALITY SYMBOLS ▽=0 ▽=0	GENERAL TOLERANCES (UNLESS SPECIFIED) mm INCH 4 PLACES ± --- ± --- 3 PLACES ± --- ± --- 2 PLACES ± --- ± --- 1 PLACE ± --- ± --- ANGULAR ± 2 °	DIMENSION STYLE MM/IN DRAWN BY DATE SSS 2001/07/18 CHECKED BY DATE TEF 2001/07/18 APPROVED BY DATE GMH 2001/07/18	SCALE DESIGN UNITS METRIC THIRD ANGLE PROJECTION	TITLE SMP JACK, R/A FOR SR047 SMP-JC/RA EWR-1425	MOLEX MOLEX INCORPORATED	DOCUMENT NO. SD-73415-358	SHEET NO. 1 OF 1
A11								

DIMENSION STYLE MM/IN		SCALE DESIGN UNITS METRIC	THIRD ANGLE PROJECTION
DRAWN BY DATE SSS 2001/07/18	TITLE SMP JACK, R/A FOR SR047 SMP-JC/RA EWR-1425		
CHECKED BY DATE TEF 2001/07/18	MOLEX MOLEX INCORPORATED		
APPROVED BY DATE GMH 2001/07/18	DOCUMENT NO. SD-73415-358	SHEET NO. 1 OF 1	
THIS DRAWING CONTAINS INFORMATION THAT IS PROPRIETARY TO MOLEX INCORPORATED AND SHOULD NOT BE USED WITHOUT WRITTEN PERMISSION			