

BOM AND PIN OUT SHEET

ASSEMBLY DESCRIPTION	ASSEMBLY PART NUMBER	COMPONENT								BLOCKED TERMINALS																		STATUS	COMMENTS									
		THE PRESENCE OF AN ABBREVIATION INDICATES THE PRESENCE OF THAT COMPONENT.								CAVITY WITH A NUMBER INDICATES BLOCKED TERMINAL POSITION CAVITY WITHOUT A NUMBER INDICATES OPEN TERMINAL POSITION																												
		OUTER HOUSING KEY/COLOR	INNER HOUSING	PLR	LEVER	LEVER ARM (x/2)	MAT SEAL	RING SEAL																														
GPEC RCPT CONN 95 CKT END LVR KEY 3/61	349924002	3-BLACK	IH	PLR	LE	LA	M	R	-	-	-	-	-	-	-	-	-	-	-	-	-	-	-	-	-	-	-	-	-	-	-	-	-	-	-	SALEABLE		
GPEC RCPT CONN 95 CKT END LVR KEY 3/49	349924003	3-BLACK	IH	PLR	LE	LA	M	R	-	-	-	4	-	-	-	-	-	-	-	-	-	-	-	-	-	-	-	-	-	-	-	-	-	-	SALEABLE			
GPEC RCPT CONN 95 CKT END LVR KEY 3/53	349924004	3-BLACK	IH	PLR	LE	LA	M	R	-	-	-	19	-	21	-	23	24	25	26	-	-	-	-	-	-	-	-	-	-	-	-	-	-	-	-	SALEABLE		
GPEC RCPT CONN 95 CKT END LVR KEY 3/18	349924005	3-BLACK	IH	PLR	LE	LA	M	R	1	2	3	4	5	6	7	8	9	10	11	12	13	14	15	-	-	-	-	-	-	-	-	-	-	-	-	-	SALEABLE	
GPEC RCPT CONN 95 CKT TOP LVR KEY 3/95	349925001	3-BLACK	IH	PLR	LT	LA	M	R	-	-	-	-	-	-	-	-	-	-	-	-	-	-	-	-	-	-	-	-	-	-	-	-	-	-	-	SALEABLE		
GPEC RCPT CONN 95 CKT TOP LVR KEY 3/80	349925002	3-BLACK	IH	PLR	LT	LA	M	R	-	-	-	-	-	-	-	-	-	-	-	-	-	-	-	-	-	-	-	-	-	-	-	-	-	-	-	SALEABLE		
GPEC RCPT CONN 95 CKT TOP LVR KEY 3/69	349925003	3-BLACK	IH	PLR	LT	LA	M	R	-	-	-	4	5	-	-	8	-	-	-	-	-	-	14	15	-	-	-	-	-	-	-	-	-	-	-	SALEABLE		
GPEC RCPT CONN 95 CKT TOP LVR KEY 3/69	349925004	3-BLACK	IH	PLR	LT	LA	M	R	-	-	-	4	5	-	-	8	-	-	-	-	-	-	14	15	-	-	-	-	-	-	-	-	-	-	-	SALEABLE		
GPEC RCPT CONN 95 CKT TOP LVR KEY 3/68	349925005	3-BLACK	IH	PLR	LT	LA	M	R	-	-	-	4	5	-	-	8	-	-	-	-	-	-	14	15	-	-	-	-	-	-	-	-	-	-	-	SALEABLE		
GPEC RCPT CONN 95 CKT TOP LVR KEY 3/49	349925006	3-BLACK	IH	PLR	LT	LA	M	R	16	17	18	19	20	21	22	23	-	25	26	-	28	29	30	-	-	-	-	-	-	-	-	-	-	-	-	-	SALEABLE	

BOM AND PIN OUT SHEET

ASSEMBLY DESCRIPTION	ASSEMBLY PART NUMBER	COMPONENT							BLOCKED TERMINALS															STATUS	COMMENTS				
		THE PRESENCE OF AN ABBREVIATION INDICATES THE PRESENCE OF THAT COMPONENT.							CAVITY WITH A NUMBER INDICATES BLOCKED TERMINAL POSITION CAVITY WITHOUT A NUMBER INDICATES OPEN TERMINAL POSITION																				
		OUTER HOUSING KEY/COLOR	INNER HOUSING	PLR	LEVER	LEVER ARM (x/2)	MAT SEAL	RING SEAL																					
GPEC RCPT CONN 95 CKT TOP LVR KEY 4/50	349927006	4-BLACK	IH	PLR	LT	LA	M	R	-	-	3	4	-	-	-	-	9	-	-	12	13	-	15	-	77	78	79	-	
									16	17	18	19	20	21	-	23	24	25	26	-	28	-	30	-	-	-	-	-	
									-	-	-	-	-	-	-	-	38	-	-	-	-	43	44	45	-	-	-	-	-
									46	47	48	49	-	51	-	53	54	-	56	-	-	59	-	86	-	-	-	-	
									61	-	-	-	-	66	67	68	69	70	71	-	73	74	-	91	-	-	-	-	
GPEC RCPT CONN 95 CKT TOP LVR KEY 4/54	349927007	4-BLACK	IH	PLR	LT	LA	M	R	-	-	3	4	5	-	-	-	9	-	-	-	-	-	15	-	77	78	79	80	
									16	17	18	19	20	-	-	23	24	25	26	-	28	-	-	-	-	-	-	-	
									-	-	-	-	-	-	-	-	38	-	-	-	-	-	44	-	-	-	-	-	-
									46	47	-	49	-	51	-	-	54	-	56	-	-	59	-	86	-	-	-	-	
									61	-	-	-	-	66	67	68	69	70	71	-	73	74	75	91	-	-	-	95	
GPEC RCPT CONN 95 CKT TOP LVR KEY 4/46	349927008	4-BLACK	IH	PLR	LT	LA	M	R	-	-	3	4	-	-	-	-	9	-	-	12	13	-	15	-	77	78	79	80	
									16	17	18	19	20	21	-	23	24	25	26	-	28	-	30	-	-	-	-	85	
									-	-	-	-	-	-	-	-	38	-	-	-	-	43	44	45	-	-	-	-	-
									46	47	48	49	-	51	-	53	54	-	56	-	-	59	-	86	-	-	-	-	
									61	-	-	-	-	66	67	68	69	70	71	-	73	74	-	91	-	-	94	95	
GPEC RCPT CONN 95 CKT TOP LVR KEY 4/45	349927009	4-BLACK	IH	PLR	LT	LA	M	R	-	-	3	4	-	6	7	8	9	-	-	12	13	-	15	-	77	78	79	80	
									16	17	18	19	20	-	-	23	24	25	26	-	28	-	-	-	-	-	-	85	
									-	-	-	-	-	-	-	-	38	-	-	41	-	43	44	45	-	-	-	-	-
									46	47	48	49	-	51	-	53	54	-	56	-	-	59	-	86	-	-	-	-	
									61	-	-	-	-	66	67	68	-	70	71	-	73	74	-	91	-	-	94	95	
GPEC RCPT CONN 95 CKT TOP LVR KEY 4/42	349927010	4-BLACK	IH	PLR	LT	LA	M	R	-	-	3	4	-	6	7	8	9	-	-	12	13	-	15	-	77	78	79	80	
									16	17	18	19	20	21	-	23	24	25	26	-	28	-	30	-	-	-	-	85	
									-	-	-	-	-	-	-	-	38	-	-	41	-	43	44	45	-	-	-	-	-
									46	47	48	49	-	51	-	53	54	-	56	-	-	59	-	86	-	-	-	-	
									61	-	-	-	-	66	67	68	69	70	71	-	73	74	-	91	-	-	94	95	
GPEC RCPT CONN 95 CKT TOP LVR KEY 4/47	349927011	4-BLACK	IH	PLR	LT	LA	M	R	-	-	3	4	5	-	-	-	9	-	-	12	13	-	15	-	77	78	79	80	
									16	17	18	-	20	21	-	23	24	25	26	-	28	-	30	-	-	-	-	85	
									-	-	-	-	-	-	-	-	38	-	-	-	-	43	44	45	-	-	-	-	-
									46	47	-	49	-	51	-	53	54	-	56	-	-	59	-	86	-	-	-	-	
									61	-	-	-	-	66	67	68	69	70	71	-	73	74	-	91	-	-	94	95	
GPEC RCPT CONN 95 CKT TOP LVR KEY 4/52	349927012	4-BLACK	IH	PLR	LT	LA	M	R	1	2	3	4	5	6	-	-	9	-	-	-	-	14	15	-	77	-	79	80	
									-	17	18	19	20	-	-	23	24	25	-	-	28	-	-	-	-	-	-	85	
									-	-	-	-	-	-	-	37	-	-	-	-	-	-	44	-	-	-	-	-	-
									46	-	48	49	-	51	-	-	-	-	56	-	-	59	-	86	-	-	-	-	
									61	-	63	64	-	66	67	68	69	-	71	-	-	74	75	91	92	-	-	95	
GPEC RCPT CONN 95 CKT TOP LVR KEY 4/47	349927013	4-BLACK	IH	PLR	LT	LA	M	R	-	-	3	4	-	-	-	-	9	-	-	12	13	-	15	-	77	78	79	80	
									16	17	18	-	20	21	-	23	24	25	26	-	28	-	30	-	-	-	-	85	
									-	-	-	-	-	-	-	-	38	-	-	-	-	43	44	45	-	-	-	-	-
									46	47	48	49	-	51	-	53	54	-	56	-	-	59	-	86	-	-	-	-	
									61	-	-	-	-	66	67	68	69	70	71	-	73	74	-	91	-	-	94	95	
GPEC RCPT CONN 95 CKT TOP LVR KEY 4/50	349927014	4-BLACK	IH	PLR	LT	LA	M	R	-	-	3	4	-	-	-	-	9	-	-	12	13	-	15	-	77	78	79	80	
									16	17	18	-	20	21	-	23	24	25	26	-	28	-	30	-	-	-	-	85	
									-	-	-	-	-	-	-	-	38	-	-	-	-	43	-	-	-	-	-	-	-
									46	47	-	49	-	51	52	53	54	-	56	-	-	59	-	86	-	-	-	-	
									-	-	-	-	-	66	67	68	69	70	71	-	73	74	-	91	-	-	94	95	
GPEC RCPT CONN 95 CKT TOP LVR KEY 4/52	349927015	4-BLACK	IH	PLR	LT	LA	M	R	1	-	3	4	-	6	-	-	9	-	-	-	-	-	15	-	-	78	79	80	
									16	17	-	19	-	21	-	23	24	25	26	-	28	29	30	-	-	-	-	85	
									-	-	-	-	-	-	-	-	-	-	-	-	42	-	44	-	-	-	-	-	-
									46	-	-	49	-	51	-	53	54	55	56	-	-	59	-	86	-	-	-	-	
									-	-	-	64	-	66	67	68	69	70	71	-	-	74	75	91	-	-	-	95	

BOM AND PIN OUT SHEET

ASSEMBLY DESCRIPTION	ASSEMBLY PART NUMBER	COMPONENT							BLOCKED TERMINALS																	STATUS	COMMENTS				
		THE PRESENCE OF AN ABBREVIATION INDICATES THE PRESENCE OF THAT COMPONENT.							CAVITY WITH A NUMBER INDICATES BLOCKED TERMINAL POSITION CAVITY WITHOUT A NUMBER INDICATES OPEN TERMINAL POSITION																						
		OUTER HOUSING KEY/COLOR	INNER HOUSING	PLR	LEVER	LEVER ARM (x/2)	MAT SEAL	RING SEAL																							
GPEC RCPT CONN 95 CKT TOP LVR KEY 4/50	349927016	4-BLACK	IH	PLR	LT	LA	M	R	-	-	3	4	-	-	-	-	9	-	-	12	13	-	15	-	77	78	79	80	SALEABLE		
									16	17	18	-	20	21	22	23	-	25	26	-	28	-	30	-	-	-	-	85			
									-	-	-	-	-	-	-	-	-	40	-	42	-	44	-	-	-	-	-	-			
									46	47	48	-	-	51	52	53	54	-	56	-	-	59	-	86	-	-	-	-			
									61	-	-	-	-	66	67	68	-	70	71	72	73	74	-	-	-	-	-	95			
GPEC RCPT CONN 95 CKT END LVR KEY 5/95	349928001	5-BLACK	IH	PLR	LE	LA	M	R	-	-	-	-	-	-	-	-	-	-	-	-	-	-	-	-	-	-	-	-	SALEABLE		
									-	-	-	-	-	-	-	-	-	-	-	-	-	-	-	-	-	-	-	-			
									-	-	-	-	-	-	-	-	-	-	-	-	-	-	-	-	-	-	-	-			
									-	-	-	-	-	-	-	-	-	-	-	-	-	-	-	-	-	-	-	-			
									-	-	-	-	-	-	-	-	-	-	-	-	-	-	-	-	-	-	-	-			
GPEC RCPT CONN 95 CKT END LVR KEY 5/95	349928002	5-BLACK	IH	PLR	LE	LA	M	R	-	-	-	-	-	-	-	-	-	-	-	-	-	-	-	-	-	-	-	-	SALEABLE		
									-	-	-	-	-	-	-	-	-	-	-	-	-	-	-	-	-	-	-	-			
									-	-	-	-	-	-	-	-	-	-	-	-	-	-	-	-	-	-	-	-			
									-	-	-	-	-	-	-	-	-	-	-	-	-	-	-	-	-	-	-	-			
									-	-	-	-	-	-	-	-	-	-	-	-	-	-	-	-	-	-	-	-			
GPEC RCPT CONN 95 CKT END LVR KEY 5/49	349928003	5-BLACK	IH	PLR	LE	LA	M	R	-	2	3	4	-	-	-	-	-	-	-	-	-	14	15	-	-	-	-	-	SALEABLE		
									-	17	18	-	20	21	-	-	24	-	26	27	-	-	30	81	-	-	-	85			
									-	-	33	34	35	-	-	38	39	-	41	-	-	44	-	-	-	-	-	-			
									46	47	48	49	50	51	52	53	-	-	-	57	58	-	-	86	87	88	-	-			
									-	62	63	64	65	66	67	68	-	70	71	72	-	-	-	91	-	-	-	-			
GPEC RCPT CONN 95 CKT END LVR KEY 5/56	349928004	5-BLACK	IH	PLR	LE	LA	M	R	-	-	-	4	5	-	-	-	-	-	-	-	-	-	-	-	-	-	-	-	SALEABLE		
									-	-	-	-	-	21	-	23	-	-	26	27	-	-	-	-	-	-	-	-			
									31	32	-	-	-	-	37	-	39	-	-	42	43	-	-	-	-	-	-	-			
									-	-	48	49	50	51	52	53	54	55	56	-	58	59	60	-	87	-	-	-			
									61	62	63	64	65	-	67	68	-	-	-	72	73	74	75	-	92	93	94	-			
GPEC RCPT CONN 95 CKT END LVR KEY 5/44	349928005	5-BLACK	IH	PLR	LE	LA	M	R	-	-	-	-	5	-	-	-	-	-	-	12	-	-	-	76	77	78	79	80	SALEABLE		
									-	-	-	-	-	21	-	-	24	25	-	27	-	29	-	-	-	83	84	85			
									31	32	33	34	35	-	-	-	39	-	-	-	43	44	-	-	-	-	-	90			
									-	-	48	49	50	51	52	-	-	55	56	-	58	59	60	-	-	-	-	94			
									61	62	63	64	65	66	67	68	69	70	71	72	73	74	75	-	-	-	94	95			
GPEC RCPT CONN 95 CKT TOP LVR KEY 5/95	349929001	5-BLACK	IH	PLR	LT	LA	M	R	-	-	-	-	-	-	-	-	-	-	-	-	-	-	-	-	-	-	-	-	SALEABLE		
									-	-	-	-	-	-	-	-	-	-	-	-	-	-	-	-	-	-	-	-			
									-	-	-	-	-	-	-	-	-	-	-	-	-	-	-	-	-	-	-	-			
									-	-	-	-	-	-	-	-	-	-	-	-	-	-	-	-	-	-	-	-			
									-	-	-	-	-	-	-	-	-	-	-	-	-	-	-	-	-	-	-	-			
GPEC RCPT CONN 95 CKT TOP LVR KEY 5/51	349929002	5-BLACK	IH	PLR	LT	LA	M	R	-	-	3	4	-	-	-	-	9	-	-	12	13	-	15	-	77	78	-	80	SALEABLE		
									16	17	-	19	-	21	-	23	24	-	-	-	28	29	30	-	-	-	-	85			
									-	-	-	-	-	-	-	-	-	-	-	-	-	44	-	-	-	-	-	-			
									46	47	48	-	-	51	52	53	54	-	56	-	-	59	60	86	-	-	-	-			
									61	-	-	64	-	66	67	68	69	70	71	-	73	74	75	91	-	-	-	95			
GPEC RCPT CONN 95 CKT TOP LVR KEY 5/95	349929003	5-BLACK	IH	PLR	LT	LA	M	R	-	-	-	-	-	-	-	-	-	-	-	-	-	-	-	-	-	-	-	-	SALEABLE		
									-	-	-	-	-	-	-	-	-	-	-	-	-	-	-	-	-	-	-	-			
									-	-	-	-	-	-	-	-	-	-	-	-	-	-	-	-	-	-	-	-			
									-	-	-	-	-	-	-	-	-	-	-	-	-	-	-	-	-	-	-	-			
									-	-	-	-	-	-	-	-	-	-	-	-	-	-	-	-	-	-	-	-			
GPEC RCPT CONN 95 CKT TOP LVR KEY 5/45	349929004	5-BLACK	IH	PLR	LT	LA	M	R	-	-	3	4	-	6	7	8	9	-	-	12	13	-	15	-	77	78	-	80	SALEABLE		
									16	17	-	19	-	21	-	23	24	-	-	-	28	29	30	-	-	-	-	85			
									-	-	-	-	-	-	-	-	-	-	-	41	42	-	44	-	-	-	-	-			-
									46	47	48	-	-	51	52	53	54	55	56	-	-	59	60	86	-	-	-	-			
									61	-	-	64	-	66	67	68	69	70	71	-	73	74	75	91	-	-	-	95			



GPEC IV 95 WAY RECEPTACLE SEALED ASSEMBLY MAT SEAL

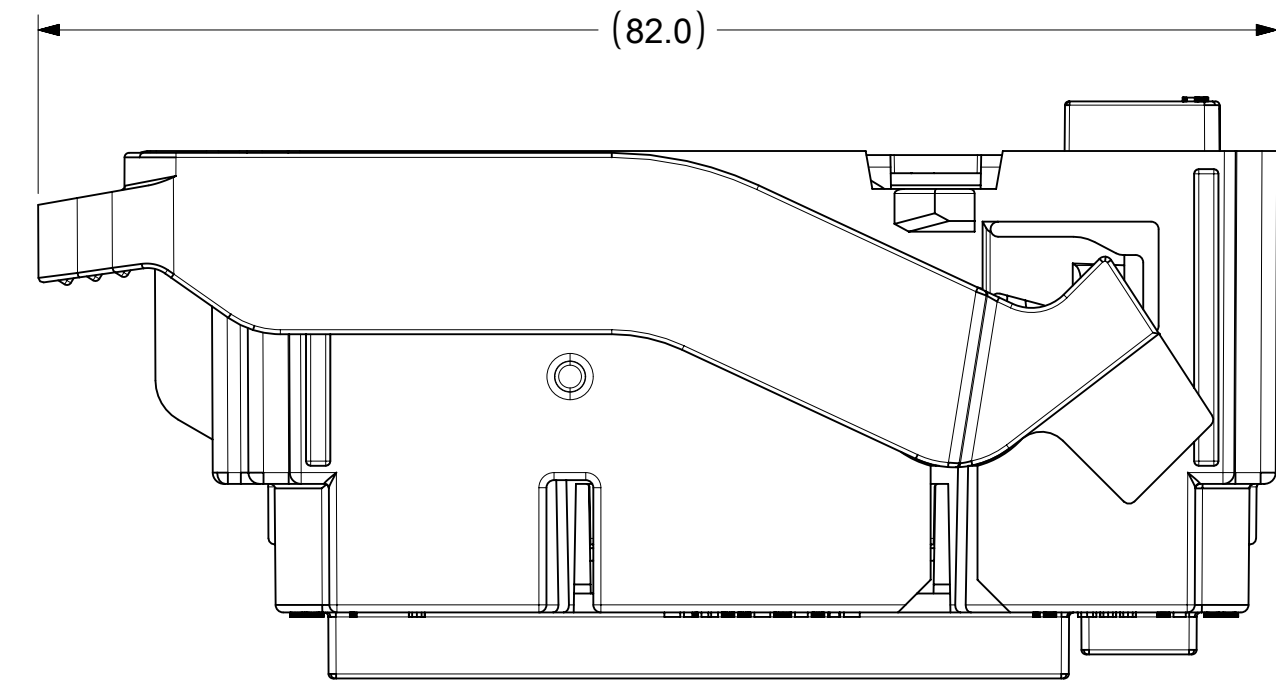
BOM AND PIN OUT SHEET

ASSEMBLY DESCRIPTION	ASSEMBLY PART NUMBER	COMPONENT							BLOCKED TERMINALS															STATUS	COMMENTS						
		THE PRESENCE OF AN ABBREVIATION INDICATES THE PRESENCE OF THAT COMPONENT.							CAVITY WITH A NUMBER INDICATES BLOCKED TERMINAL POSITION CAVITY WITHOUT A NUMBER INDICATES OPEN TERMINAL POSITION																						
		OUTER HOUSING KEY/COLOR	INNER HOUSING	PLR	LEVER	LEVER ARM (x/2)	MAT SEAL	RING SEAL																							
GPEC RCPT CONN 95 CKT TOP LVR KEY 5/48	349929005	5-BLACK	IH	PLR	LT	LA	M	R	-	-	3	4	-	6	7	8	9	-	-	-	-	-	15	-	77	78	-	80	SALEABLE		
									16	17	-	19	-	21	-	23	24	-	-	-	28	29	30	-	-	-	-	85			
									-	-	-	-	-	-	-	-	-	-	41	42	-	44	-	-	-	-	-	-			
									46	47	48	-	-	51	-	53	54	55	56	-	-	59	60	86	-	-	-	-			
									61	-	-	64	-	66	67	68	69	70	71	-	73	74	75	91	-	-	-	95			
GPEC RCPT CONN 95 CKT TOP LVR KEY 5/50	349929006	5-BLACK	IH	PLR	LT	LA	M	R	-	-	-	4	5	-	-	-	-	-	-	-	-	-	-	-	-	-	-	-	SALEABLE		
									-	-	-	19	-	21	-	23	24	25	26	27	-	-	-	81	82	-	-	-			
									31	-	-	-	-	-	-	37	38	39	-	41	-	43	44	-	-	-	-	-			-
									-	-	48	49	-	-	52	-	54	55	56	-	58	59	60	-	87	88	89	-			
									61	62	63	64	65	66	67	68	-	70	71	72	73	74	75	-	92	-	-	-			
GPEC RCPT CONN 95 CKT TOP LVR KEY 5/57	349929007	5-BLACK	IH	PLR	LT	LA	M	R	-	-	-	4	5	-	-	-	-	-	-	-	-	-	-	-	-	-	-	SALEABLE			
									-	-	-	-	-	-	21	-	23	-	25	26	27	-	-	-	-	-	-			-	-
									31	32	-	-	-	-	37	-	39	-	-	42	43	-	-	-	-	-	-			-	
									-	-	-	49	50	51	52	53	54	-	56	-	58	59	60	-	87	88	-			-	
									61	62	63	64	65	66	67	68	-	-	-	72	73	74	75	-	92	-	-			-	
GPEC RCPT CONN 95 CKT TOP LVR KEY 5/66	349929008	5-BLACK	IH	PLR	LT	LA	M	R	-	-	-	-	-	-	-	-	-	-	-	-	-	-	-	-	-	-	80	SALEABLE			
									-	-	-	19	-	-	-	-	-	-	-	-	27	-	-	-	-	-	-			-	85
									-	32	-	-	-	-	-	-	-	-	-	-	43	-	-	-	-	-	-			-	
									-	-	48	49	-	51	52	-	55	56	-	58	59	60	-	-	-	89	-				
									61	62	63	64	-	-	67	68	69	-	-	72	73	74	75	-	-	-	94			-	
GPEC RCPT CONN 95 CKT TOP LVR KEY 5/49	349929009	5-BLACK	IH	PLR	LT	LA	M	R	-	-	-	4	5	-	-	-	-	-	-	-	-	-	-	-	-	-	-	SALEABLE			
									-	-	18	19	-	21	-	23	24	25	26	27	-	-	-	81	82	-	-			-	
									31	-	-	-	-	-	37	38	39	-	41	-	43	44	-	-	-	-	-			-	
									-	-	48	49	-	-	52	-	54	55	56	-	58	59	60	-	87	88	89			-	
									61	62	63	64	65	66	67	68	-	70	71	72	73	74	75	-	92	-	-			-	
GPEC RCPT CONN 95 CKT TOP LVR KEY 5/94	349929010	5-BLACK	IH	PLR	LT	LA	M	R	-	-	-	-	-	-	-	-	-	-	-	-	-	-	-	-	-	-	-	SALEABLE			
									-	-	-	-	-	-	-	-	-	-	-	-	-	-	-	-	-	-	-			-	
									-	-	-	-	-	-	-	-	-	-	-	-	-	-	-	-	-	-	-			-	
									-	-	-	-	-	-	-	-	-	-	-	-	-	-	-	-	-	-	-			-	
									-	-	-	-	-	-	-	-	-	-	-	-	-	-	75	-	-	-	-			-	
GPEC RCPT CONN 95 CKT TOP LVR KEY 5/51	349929011	5-BLACK	IH	PLR	LT	LA	M	R	-	-	-	4	5	-	-	-	-	-	-	-	-	-	-	-	-	-	-	SALEABLE			
									-	-	18	19	-	21	-	23	24	25	26	27	-	-	-	81	82	-	-			-	
									31	-	-	-	-	-	37	38	39	-	41	-	43	44	-	-	-	-	-			-	
									-	-	48	49	-	-	52	-	54	55	56	-	58	59	60	-	87	88	89			-	
									61	62	63	64	65	66	67	68	-	-	-	72	73	74	75	-	92	-	-			-	
GPEC RCPT CONN 95 CKT TOP LVR KEY 5/54	349929012	5-BLACK	IH	PLR	LT	LA	M	R	-	-	-	4	5	-	-	-	-	-	-	-	-	-	-	-	-	-	-	SALEABLE			
									-	-	-	-	-	-	21	-	23	24	-	26	27	28	-	-	81	82	-			-	-
									31	-	-	-	-	-	37	38	39	-	-	42	43	44	-	-	-	-	-			-	
									-	-	48	49	-	-	52	-	54	55	56	-	58	59	60	-	87	88	-			-	
									61	62	63	64	65	-	67	68	-	-	-	72	73	74	75	-	92	-	94			-	
GPEC RCPT CONN 95 CKT TOP LVR KEY 5/39	349929013	5-BLACK	IH	PLR	LT	LA	M	R	-	-	3	4	-	6	7	8	9	-	-	12	13	-	15	-	77	78	79	80	SALEABLE		
									16	17	18	19	20	21	22	23	-	25	26	-	28	29	30	-	-	-	-	85			
									-	-	-	-	-	-	-	-	38	-	40	41	42	-	44	-	-	-	-	-			-
									46	47	48	-	-	51	52	53	54	55	56	-	-	59	-	86	-	-	-	-			
									61	-	-	64	-	66	67	68	69	70	71	72	73	74	75	-	-	-	-	95			
GPEC RCPT CONN 95 CKT TOP LVR KEY 5/40	349929014	5-BLACK	IH	PLR	LT	LA	M	R	-	-	3	4	-	6	7	8	9	-	-	12	13	-	15	-	77	78	79	80	SALEABLE		
									16	17	18	19	20	21	22	23	-	25	26	-	28	29	30	-	-	-	-	85			
									-	-	-	-	-	-	-	-	38	-	40	41	-	-	44	-	-	-	-	-			-
									46	47	48	-	-	51	52	53	54	55	56	-	-	59	-	86	-	-	-	-			
									61	-	-	64	-	66	67	68	69	70	71	72	73	74	75	-	-	-	-	95			

BOM AND PIN OUT SHEET

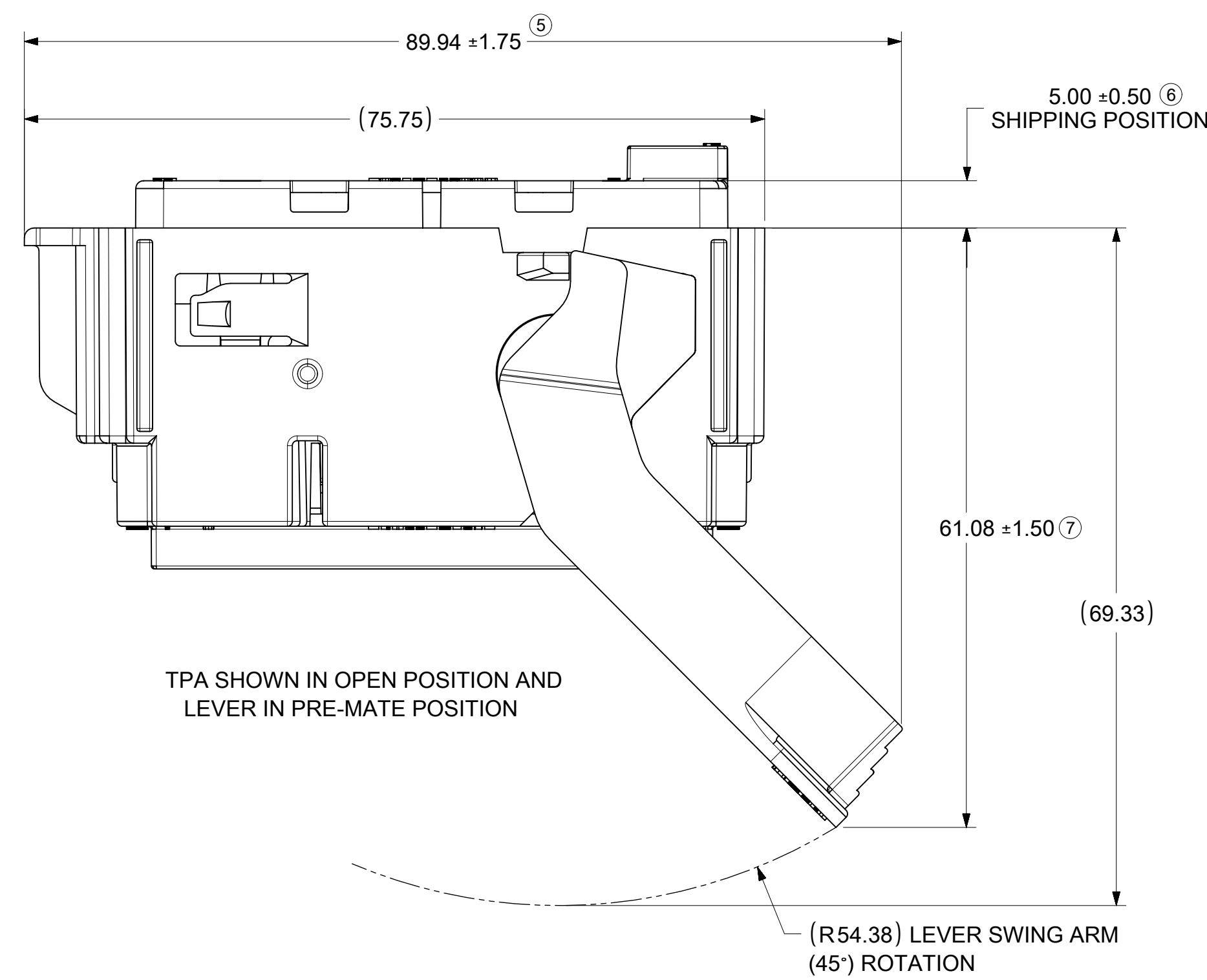
ASSEMBLY DESCRIPTION	ASSEMBLY PART NUMBER	COMPONENT							BLOCKED TERMINALS																	STATUS	COMMENTS										
		THE PRESENCE OF AN ABBREVIATION INDICATES THE PRESENCE OF THAT COMPONENT.							CAVITY WITH A NUMBER INDICATES BLOCKED TERMINAL POSITION CAVITY WITHOUT A NUMBER INDICATES OPEN TERMINAL POSITION																												
		OUTER HOUSING KEY/COLOR	INNER HOUSING	PLR	LEVER	LEVER ARM (x/2)	MAT SEAL	RING SEAL	-	-	3	4	-	6	7	8	9	-	-	12	13	-	15	-	77			78	79	80							
GPEC RCPT CONN 95 CKT TOP LVR KEY 5/38	349929015	5-BLACK	IH	PLR	LT	LA	M	R	16	17	18	19	20	21	22	23	-	25	26	-	28	29	30	-	-	-	-	-	-	-	-	-	85				
									-	-	-	-	-	-	-	38	-	40	41	42	-	44	-	-	-	-	-	-	-	-	-	-	-	-	-		
									46	47	48	-	-	51	52	53	54	55	56	-	-	59	-	86	-	-	-	-	-	-	-	-	-	-	-	-	
									61	-	-	64	-	66	67	68	69	70	71	72	73	74	75	91	-	-	-	-	-	-	-	-	-	-	-	-	95
									-	-	-	4	-	-	-	-	-	10	-	-	-	-	-	-	-	-	-	-	-	-	-	-	-	-	-	-	
GPEC RCPT CONN 95 CKT TOP LVR KEY 5/60	349929016	5-BLACK	IH	PLR	LT	LA	M	R	-	-	-	-	-	-	-	23	-	-	-	27	-	-	-	-	-	-	-	-	-	-	-	-	-				
									-	32	-	-	-	-	37	-	-	-	-	-	43	44	45	-	-	-	-	-	-	-	-	-	-	-			
									-	-	48	49	-	51	52	-	-	55	56	-	58	59	60	-	87	88	89	-	-	-	-	-	-	-	-		
									61	62	63	64	65	-	67	68	-	-	-	72	73	74	75	-	92	93	94	-	-	-	-	-	-	-	-	-	
									-	-	-	4	-	-	-	-	-	10	-	-	-	-	-	-	-	-	-	-	-	-	-	-	-	-	-	-	
GPEC RCPT CONN 95 CKT TOP LVR KEY 5/58	349929017	5-BLACK	IH	PLR	LT	LA	M	R	-	-	-	-	-	-	-	23	-	-	-	27	-	-	-	-	-	-	-	-	-	-	-	-	-				
									-	32	-	-	-	-	37	-	-	-	-	-	43	44	45	-	-	-	-	-	-	-	-	-	-	-			
									-	-	48	49	-	51	52	-	-	55	56	-	58	59	60	-	87	88	89	-	-	-	-	-	-	-	-		
									61	62	63	64	65	-	67	68	-	70	71	72	73	74	75	-	92	93	94	-	-	-	-	-	-	-	-	-	
									-	-	-	4	-	-	-	-	-	10	-	-	-	-	-	-	-	-	-	-	-	-	-	-	-	-	-	-	

TERMINALS AND TPA SHOWN IN FINAL LOCKED POSITION
SECTION X-X

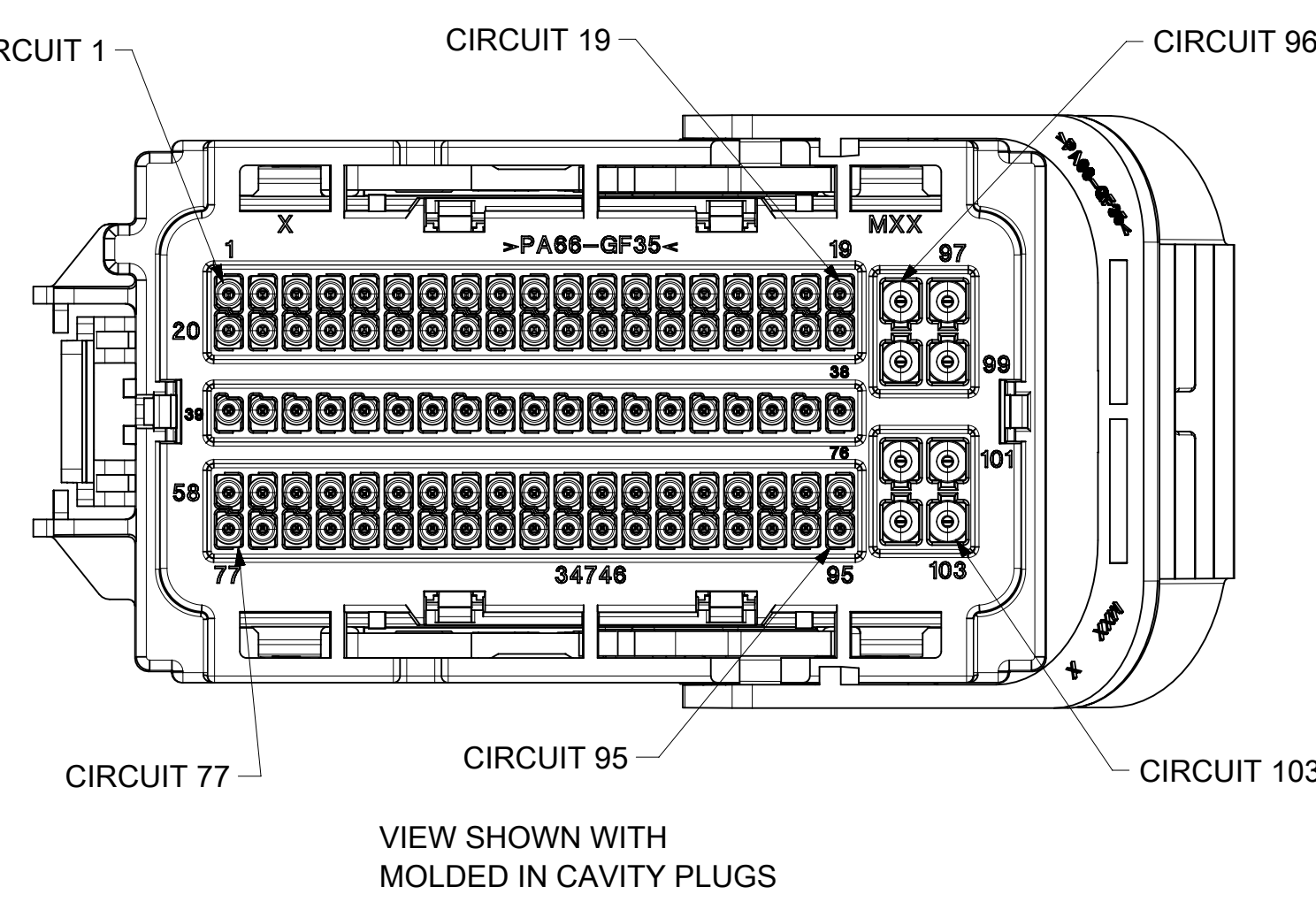


TPA SHOWN IN CLOSED POSITION AND LEVER IN MATE POSITION

AROUND-THE-END LEVER OPTION
P/N 34993-0001, KEY 1

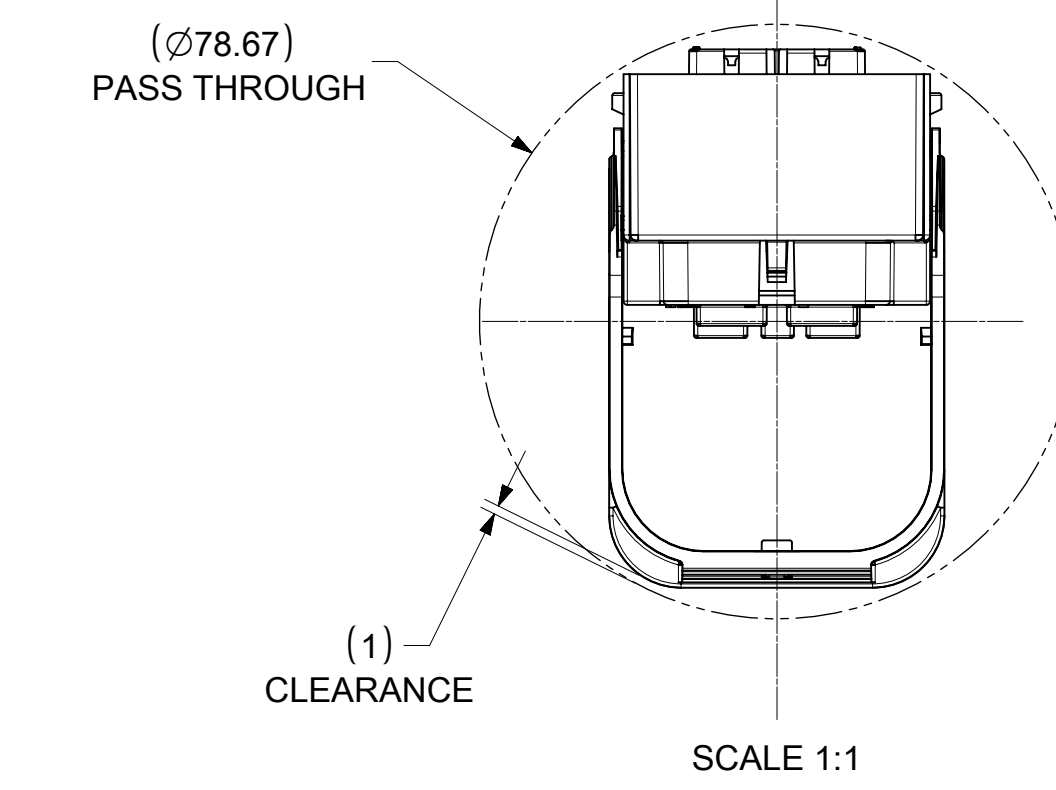


TPA SHOWN IN OPEN POSITION AND LEVER IN PRE-MATE POSITION



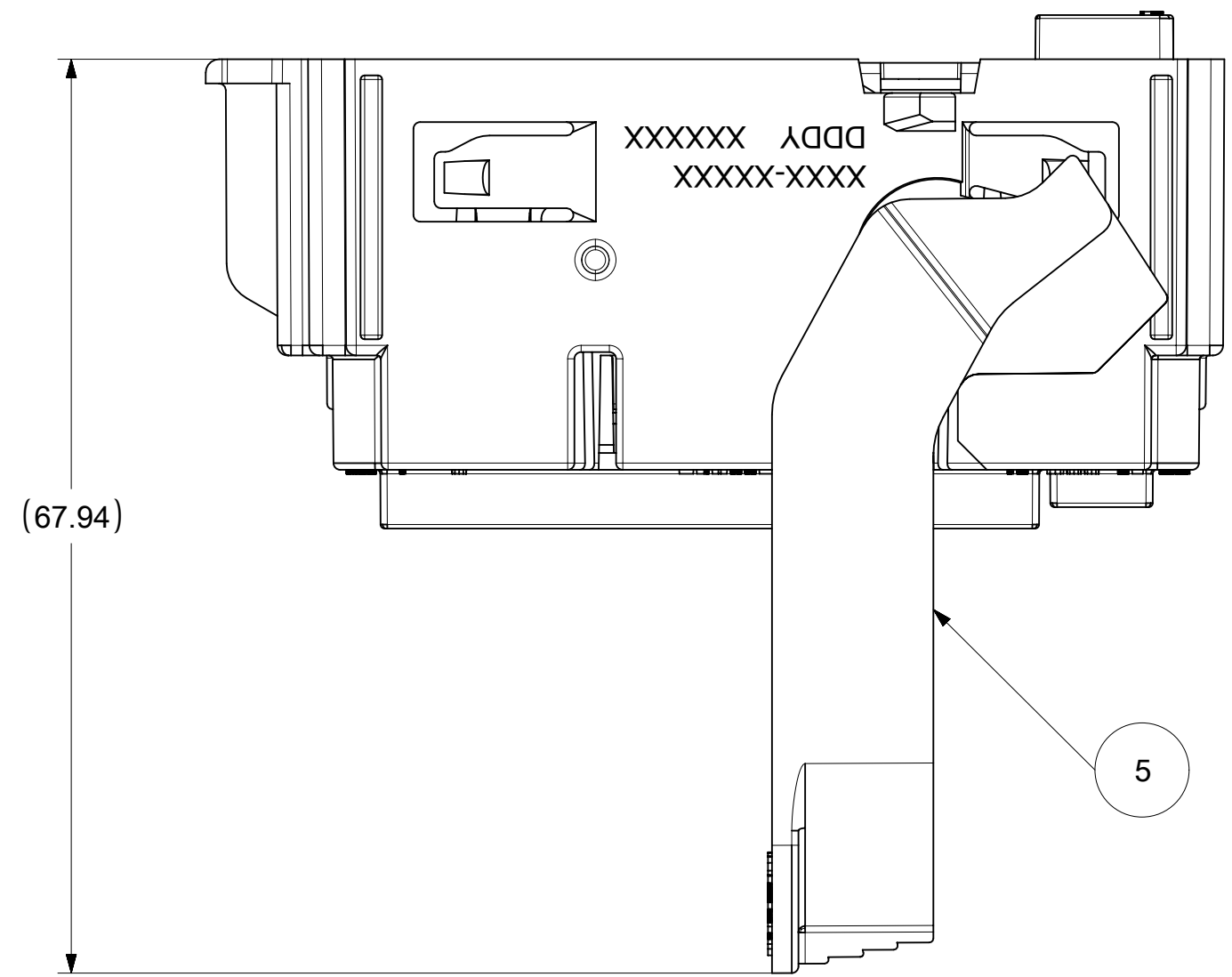
VIEW SHOWN WITH MOLDED IN CAVITY PLUGS

OVER-THE-TOP LEVER OPTION
P/N 34993-1001, KEY 1

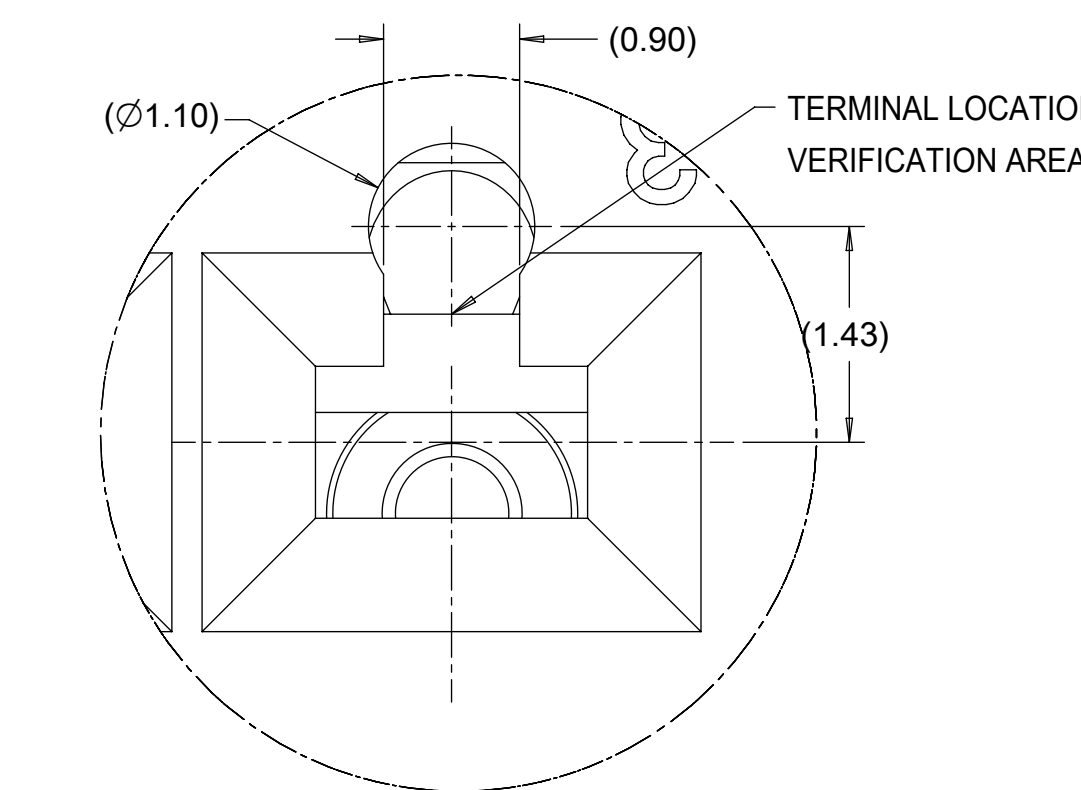


(1) CLEARANCE

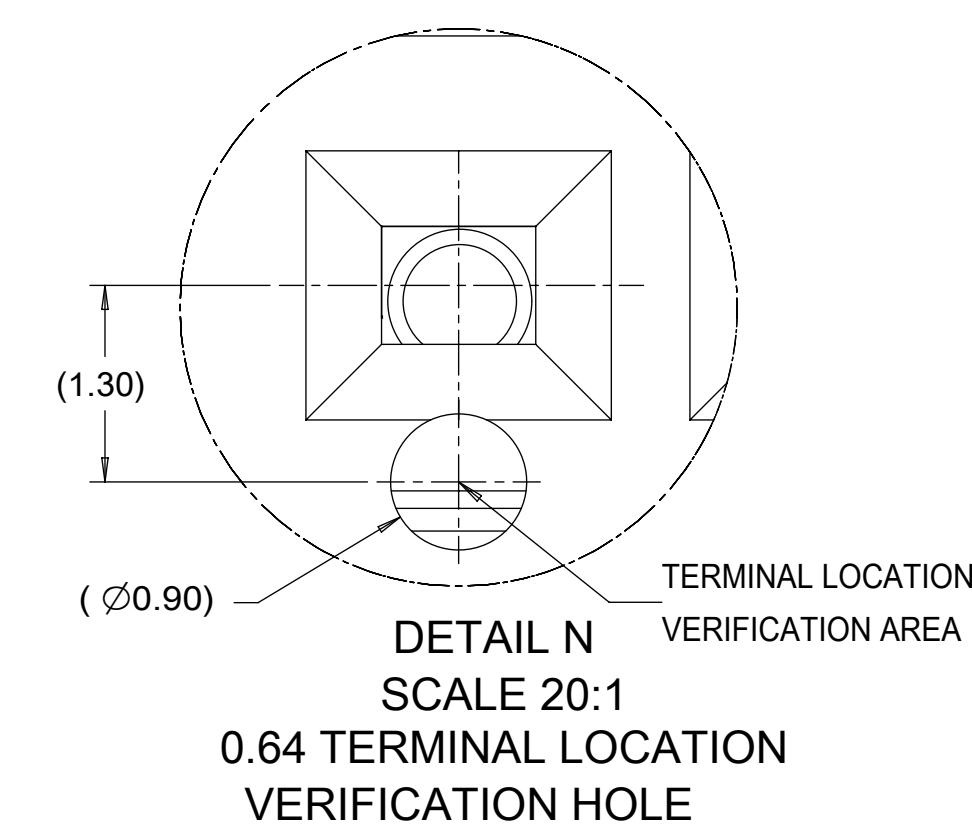
SCALE 1:1



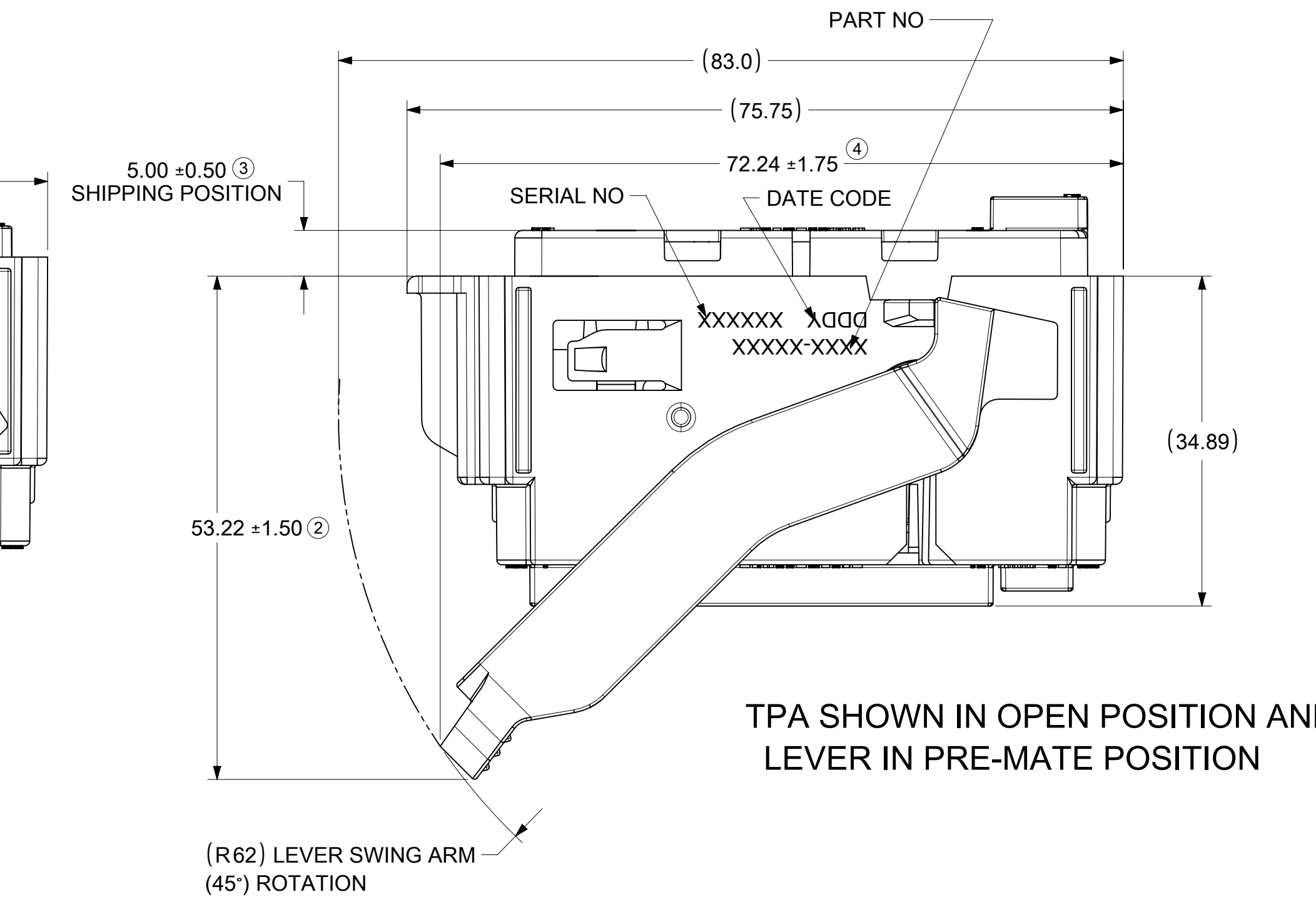
TPA SHOWN IN CLOSED POSITION AND LEVER IN MATE POSITION
LOCKING FEATURES TO BE DESIGNED INTO DRESS COVER FOR THIS LEVER



DETAIL M
SCALE 20:1
1.5 TERMINAL LOCATION
VERIFICATION HOLE

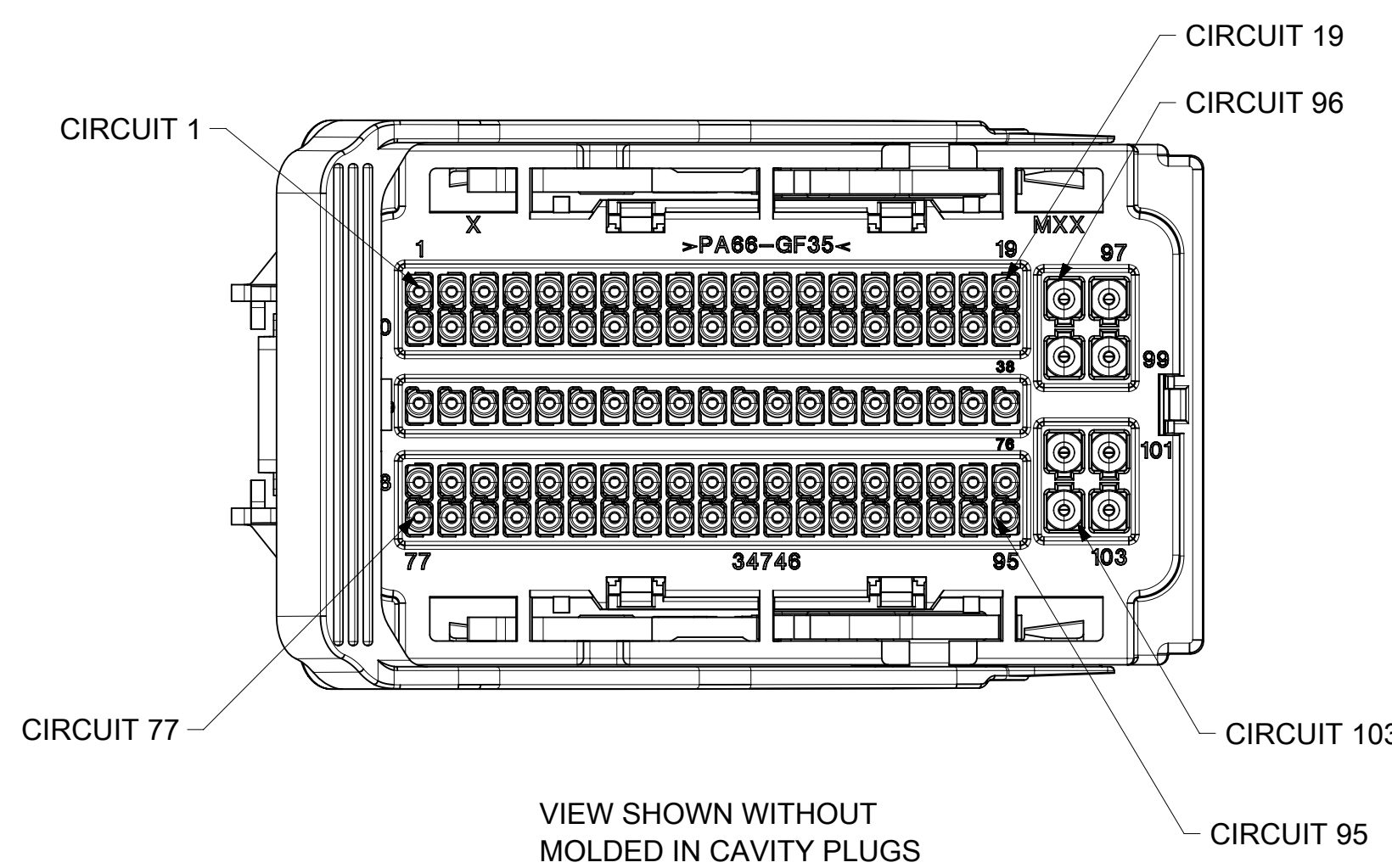


DETAIL N
SCALE 20:1
0.64 TERMINAL LOCATION
VERIFICATION HOLE



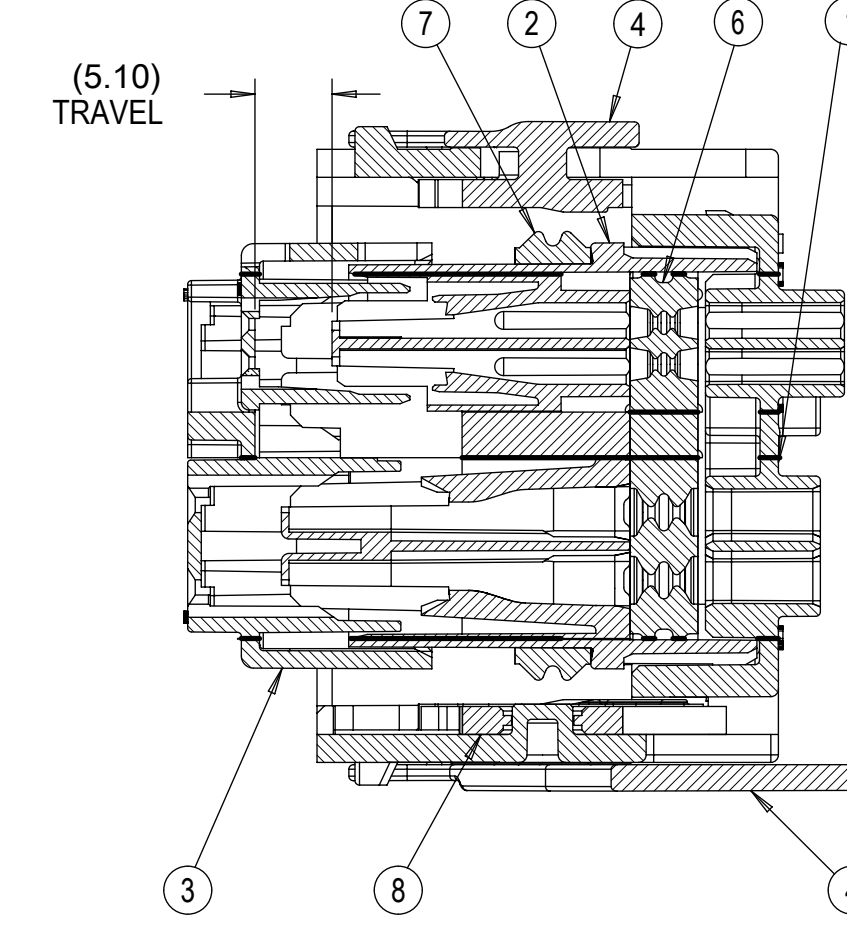
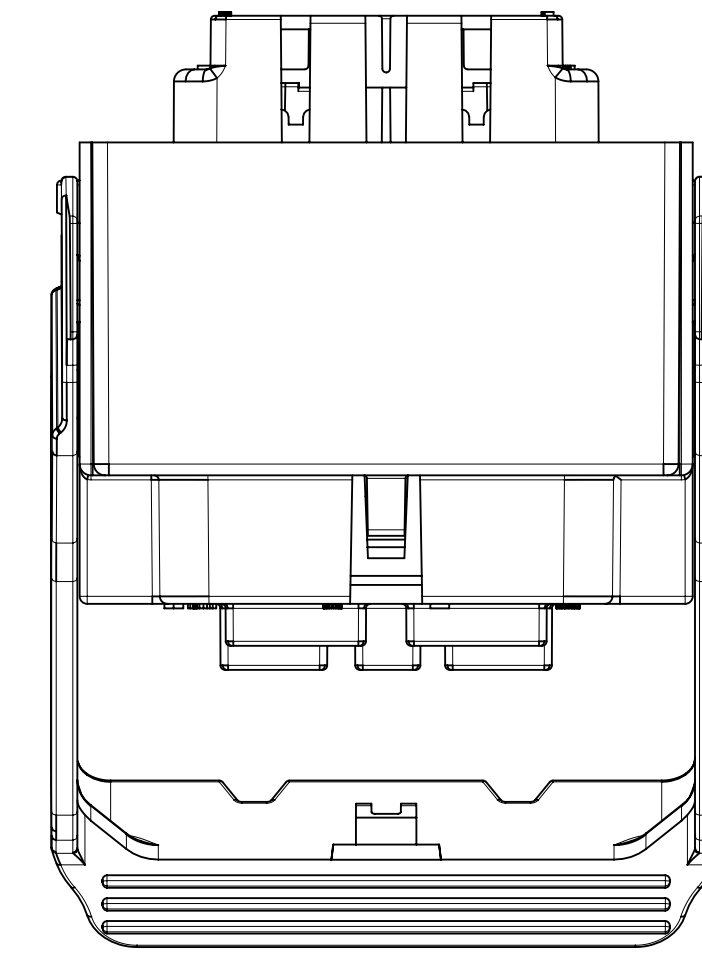
(R62) LEVER SWING ARM
(45°) ROTATION

TPA SHOWN IN OPEN POSITION AND LEVER IN PRE-MATE POSITION



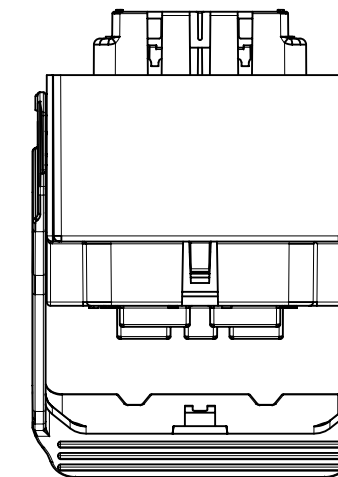
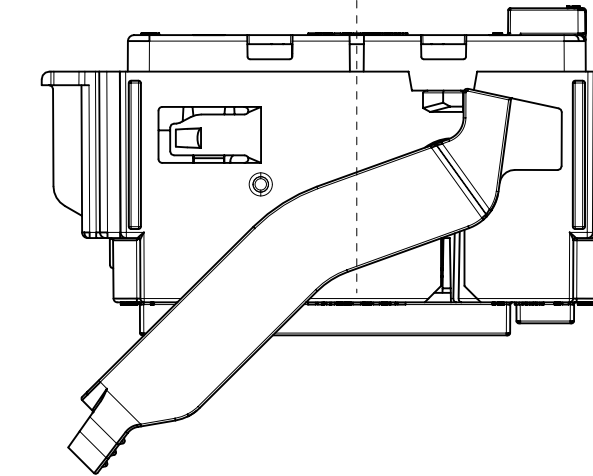
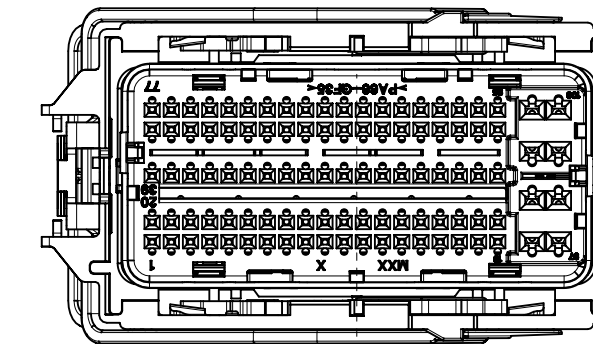
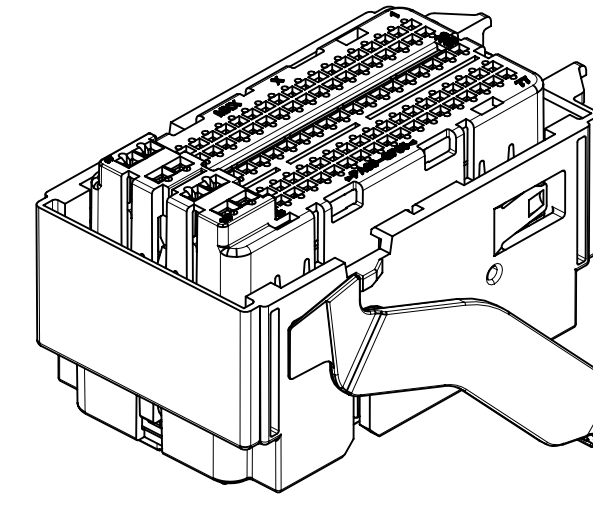
VIEW SHOWN WITHOUT MOLDED IN CAVITY PLUGS

SECTION Z-Z



SECTION Y-Y

LEG TO BE DEPRESSED BEFORE CLOSING TPA
2 PLACES - SEE NOTE #17



FULL SIZE VIEWS

QTY.										BILL OF MATERIAL							
										ITEMS	MOLEX PART NUMBER	DESCRIPTION	COLOR	RECYCLING CODE	WEIGHT (GRAMS)		
										1	1	347460501	OUTER SHROUD HOUSING KEYING OPTION "1"	BLACK	>PA66-GF35<	26.84g	
										1	1	347460502	OUTER SHROUD HOUSING KEYING OPTION "2"	BLACK	>PA66-GF35<	26.84g	
										1	1	347460503	OUTER SHROUD HOUSING KEYING OPTION "3"	BLACK	>PA66-GF35<	26.84g	
										1	1	347460504	OUTER SHROUD HOUSING KEYING OPTION "4"	BLACK	>PA66-GF35<	26.84g	
1	1											347460505	OUTER SHROUD HOUSING KEYING OPTION "5"	BLACK	>PA66-GF35<	26.84g	
1	1	1	1	1	1	1	1	1	1	2		347460300	CAVITY SECTION HOUSING	BLACK	>PA66-GF35<	19.71g	
1	1	1	1	1	1	1	1	1	1	3		349930401	TPA	NATURAL	>PA66-GF35<	7.50g	
										1	4	347450801	MATE ASSIST LEVER END LATCH	GRAY	>PA66-GF35<	6.54g	
										1	5	347450802	MATE ASSIST LEVER OVER-THE-TOP	GRAY	>PA66-GF35<	6.10g	
1	1	1	1	1	1	1	1	1	1	6		347460600	GROMMET SEAL	LT BLUE	NA	5.97g	
1	1	1	1	1	1	1	1	1	1	7		347450700	INTERFACIAL SEAL	GREEN	NA	1.47g	
2	2	2	2	2	2	2	2	2	2	8		347450805	LEVER ARM	GRAY	>PA66-GF35<	0.55g	
349930001	349930001	349930001	349930001	349930001	349930001	349930001	349930001	349930001	349930001			MOLEX ASSY PART NUMBER ALL CAVITY PLUGS REMOVED					

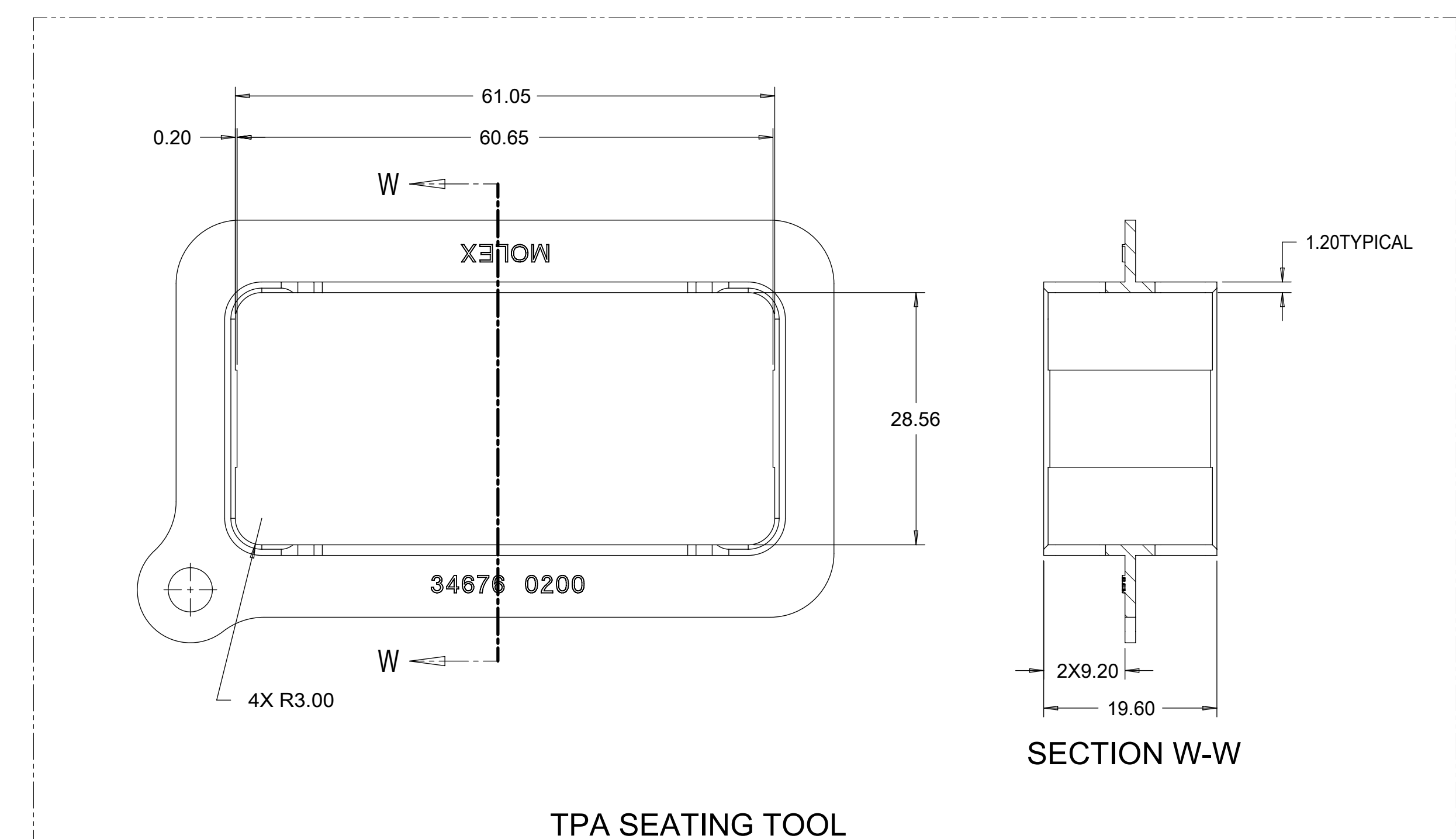
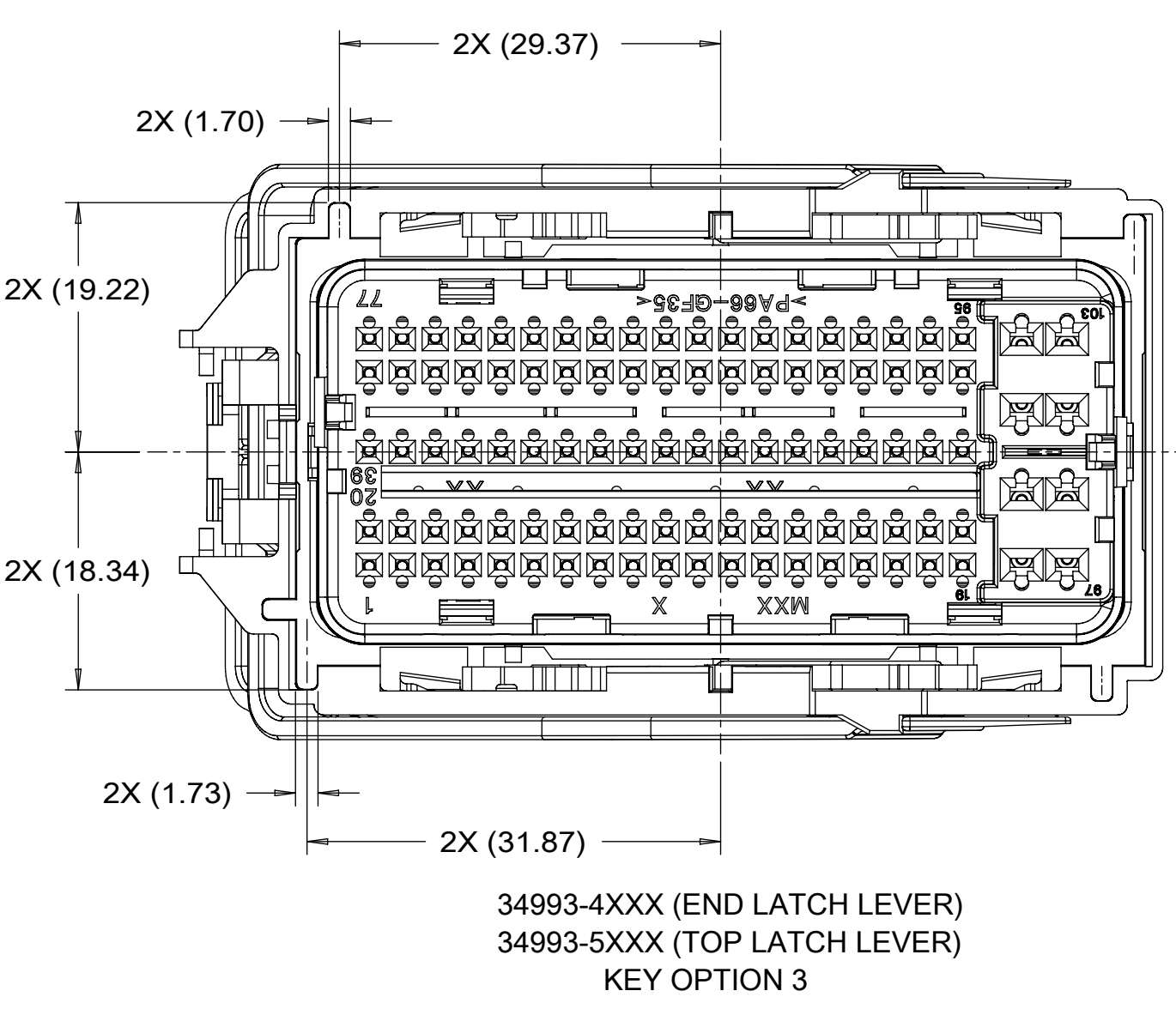
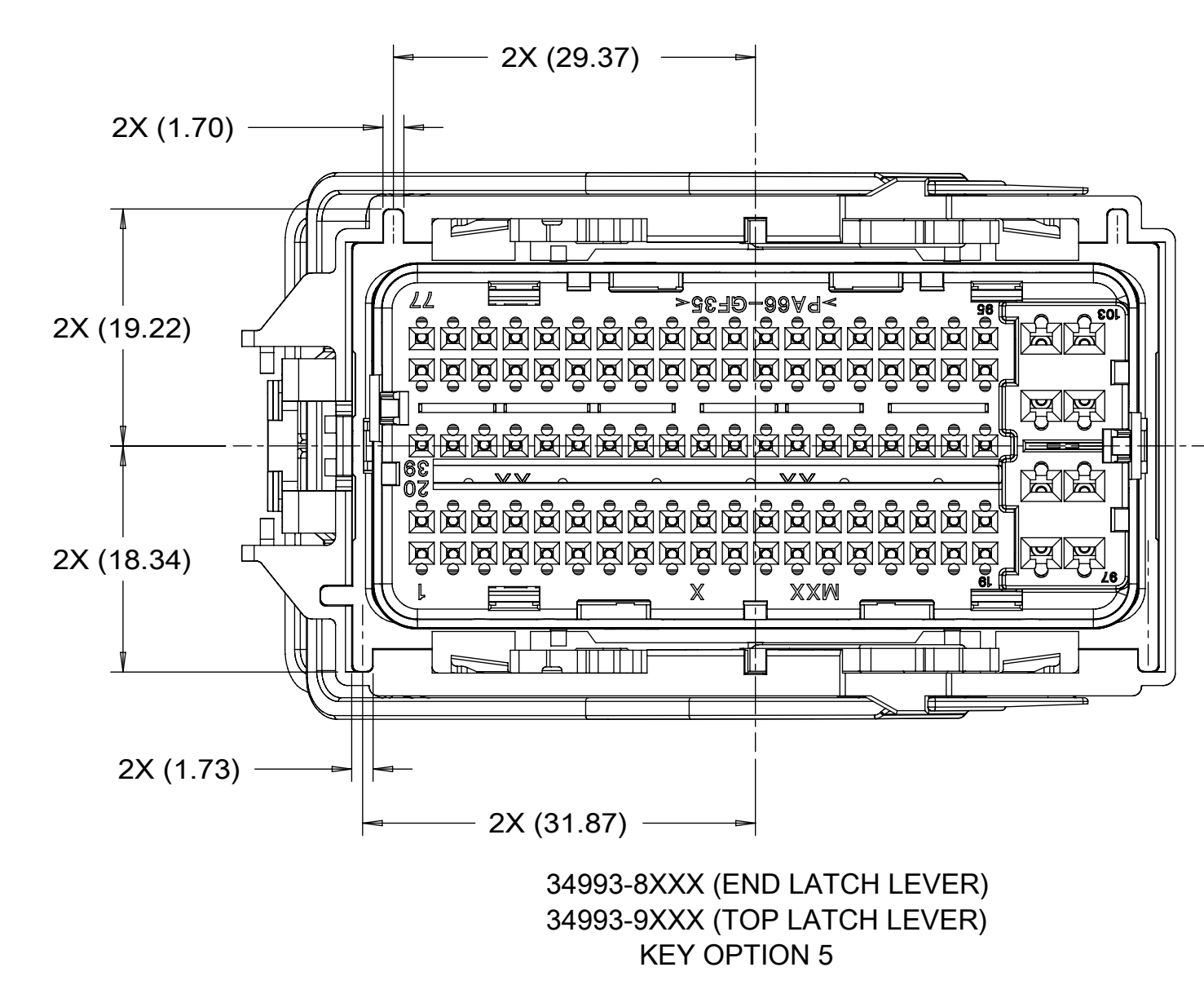
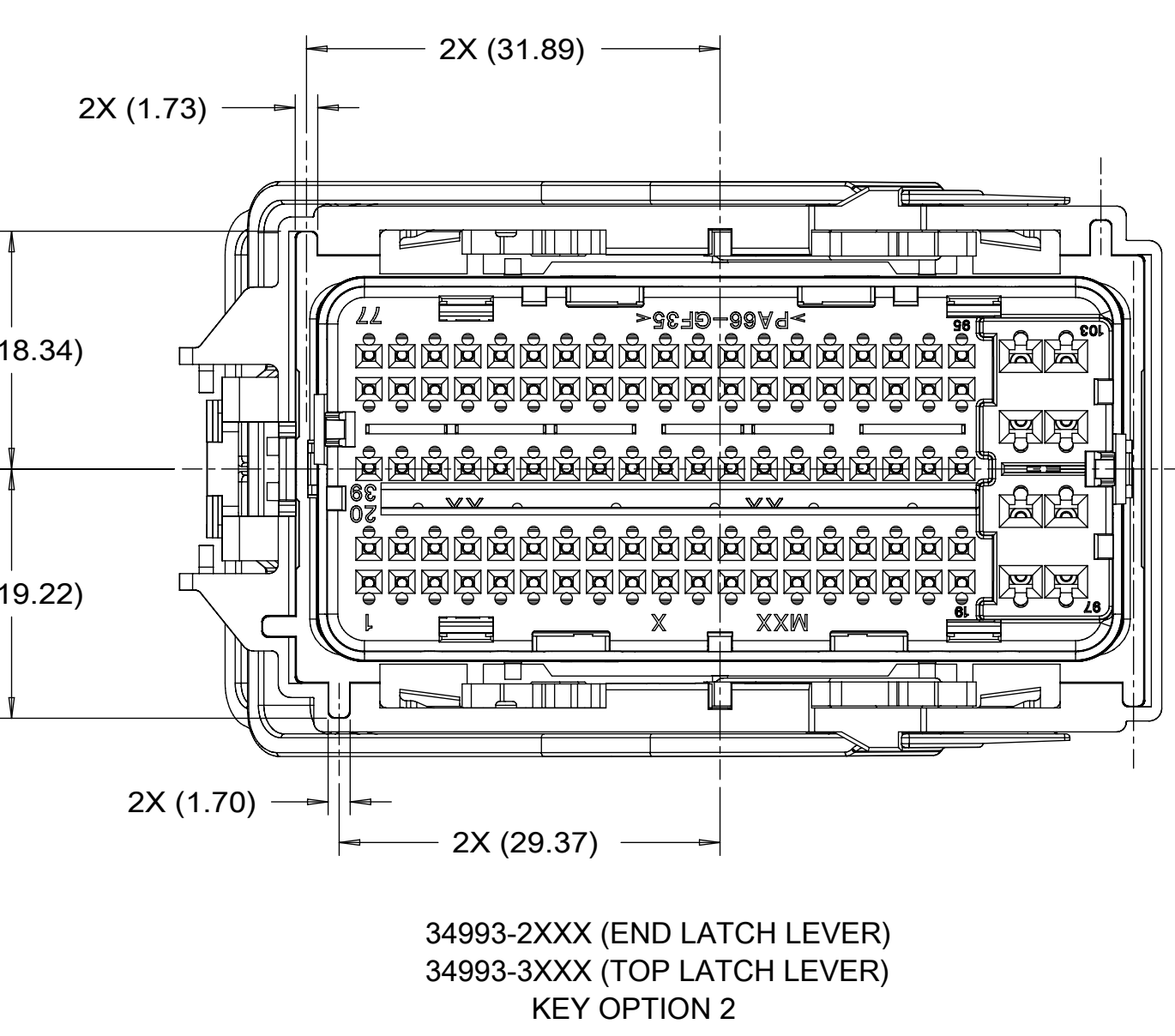
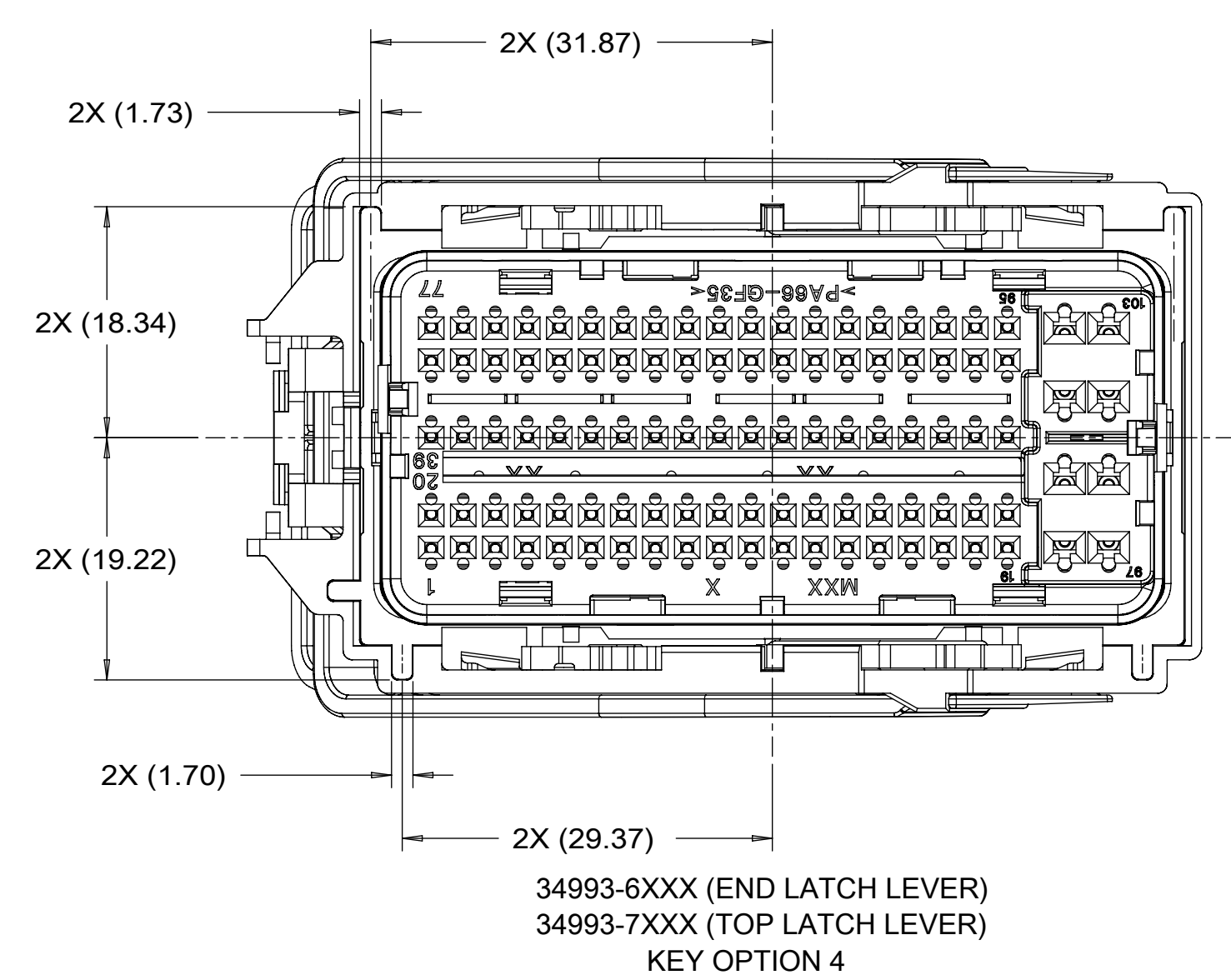
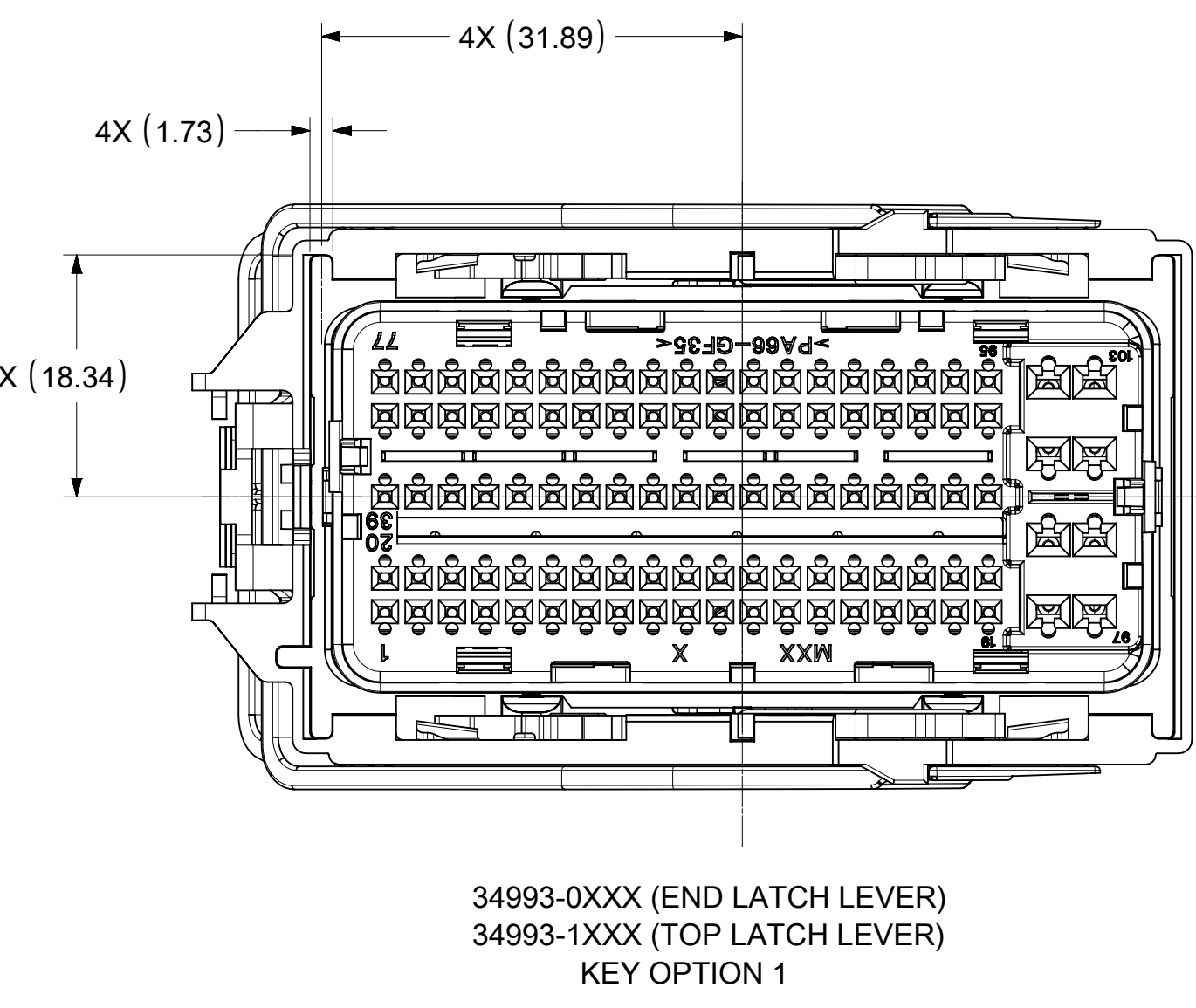
- NOTES: UNLESS OTHERWISE SPECIFIED
- PART MUST CONFORM TO USCAR/SAE-2 REV 5 DATED NOV2007. EXCEPTIONS: NONE
 - THE OPERATING ENVIRONMENT CRITERIA FOR THIS CONNECTOR SYSTEM IS USCAR TEMPERATURE CLASS 3, SEALING CLASS S3 AND VIBRATION CLASS V1.
 - ASSEMBLIES WILL ONLY PASS HIGH PRESSURE SPRAY REQUIREMENTS WITH WIRE DRESS COVER ATTACHED.
 - MAXIMUM LEVER ENGAGEMENT FORCE POPULATED WITH TERMINALS IS NOT TO EXCEED 75N.
 - TERMINAL TPA/PLR IS SHIPPED TO HARNESS MANUFACTURER IN PRE-LOAD POSITION AS SHOWN.
 - ALL PLASTIC PARTS MUST HAVE MATERIAL IDENTIFICATION SYMBOLS CLEARLY MARKED, WHEREVER PACKAGE SIZE PERMITS.
 - ENGINEERING APPROVAL REQUIRED FOR ALL SOURCING AND TOOLING OF THIS PART.
 - FOR ENGINEERING APPROVED SOURCE SEE ENGINEERING RELEASE.
 - ENGINEERING APPROVAL OF SAMPLE FROM SUPPLIER IS REQUIRED PRIOR TO AUTHORIZATION OF PART PRODUCTION.
 - CHANGES IN DESIGN COMPOSITION OR PROCESSING OF THE PART PREVIOUSLY APPROVED FOR PART PRODUCTION REQUIRES PRIOR ENGINEERING APPROVAL.
 - GENERAL TOLERANCE:
LINEAR DIMENSION: +0.10
ANGULAR DIMENSION: +3°
 - 0.3 MAXIMUM RADIUS PERMISSIBLE ON EDGES AND FILLETS SHOWN AS SHARP FOR PLASTIC PARTS.
 - PARTS ARE TO BE FREE OF SCRATCHES, DISCOLORATION, SALT RESIDUE, OR OTHER IMPERFECTIONS THAT MAY AFFECT FUNCTION OR FIT OF PART.
 - SOURCE IDENTIFICATION MARK, PRODUCTION DATE CODE, AND ASSEMBLY PART NUMBER MUST BE PERMANENTLY APPLIED ON THE PART WITH 1.5MM MINIMUM LETTER SIZE FROM THE BOTTOM TO THE TOP OF THE CHARACTERS AND LEGIBLE WHEREVER PACKAGE SIZE PERMITS OR OTHER AGREEMENTS ARE MADE. MARKING MAY BE LOCATED ON EITHER SIDE OF THE PART.
 - 25% MAXIMUM REGRIND ALLOWABLE IN MOLDED COMPONENTS.
 - SEE MOLEX APPLICATION SPEC AS-34992-001 FOR CONNECTOR SERVICE & USAGE INSTRUCTIONS.
 - OPTIONAL WIREDRESS COVERS FOR THE AROUND-THE-END LEVER OPTION ARE SHIPPED SEPARATELY
 - WIREDRESS COVER FOR THE OVER-THE-TOP LEVER OPTION IS SHIPPED SEPARATELY
 - OPTIONAL 0.64 LOOSE PIECE PLUG, 34676-0002, IS SHIPPED SEPARATELY
 - OPTIONAL 1.5 LOOSE PIECE PLUG, 34345-4001, IS SHIPPED SEPARATELY
 - MOLEX MX150 TERMINAL REMOVAL TOOL P/N 63813-1500
 - MOLEX 0.64 TERMINAL REMOVAL TOOL P/N 63813-3501
 - TPA/PLR MUST BE REMOVED TO SERVICE THE 0.64 TERMINALS
 - TPA SEATING TOOL P/N 346760200 / 346760201 SEE SHEET 2 FOR ADDITIONAL INFORMATION
 - FOR PINOUT AND DRESS COVER CONFIGURATION CHART SEE DOCUMENT: 349920002-SD

DESCRIPTION	NOMINAL TERMINAL SIZE	COLOR/PLATING	SUPPLIER PART NUMBER	MATERIAL/SPECIFICATION NUMBER	APPLICABLE WIRE SIZE ES-AU5T-1A348-AA REV A ML 123A
TERMINAL - FEMALE (Ag)	0.64	SILVER	2077131254	COPPER ALLOY/SILVER PLATE	0.35mm ² (DIA 1.20 - 1.40) 0.50mm ² (DIA 1.40 - 1.70) 0.75mm ² (DIA 1.70 - 1.90)
TERMINAL - FEMALE (Ag)	0.64	SILVER	2077131354	COPPER ALLOY/SILVER PLATE	---
TERMINAL - FEMALE (Sn)	1.50	TIN	330122003	COPPER ALLOY/TIN PLATE	22AWG(DIA 1.50 - 1.65)
TERMINAL - FEMALE (Sn)	1.50	TIN	330122004	COPPER ALLOY/TIN PLATE	0.35mm ² (DIA 1.20 - 1.40) 0.50mm ² (DIA 1.40 - 1.70) 20AWG (DIA 1.70 - 1.85) 0.75mm ² (DIA 1.70 - 1.90) 18AWG (DIA 1.91 - 2.06) 0.80mm ²
TERMINAL - FEMALE (Sn)	1.50	TIN	330122002	COPPER ALLOY/TIN PLATE	16AWG (DIA 2.18 - 2.34) 1.50mm ² (DIA 2.20 - 2.40)
TERMINAL - FEMALE (Sn)	1.50	TIN	330122001	COPPER ALLOY/TIN PLATE	---

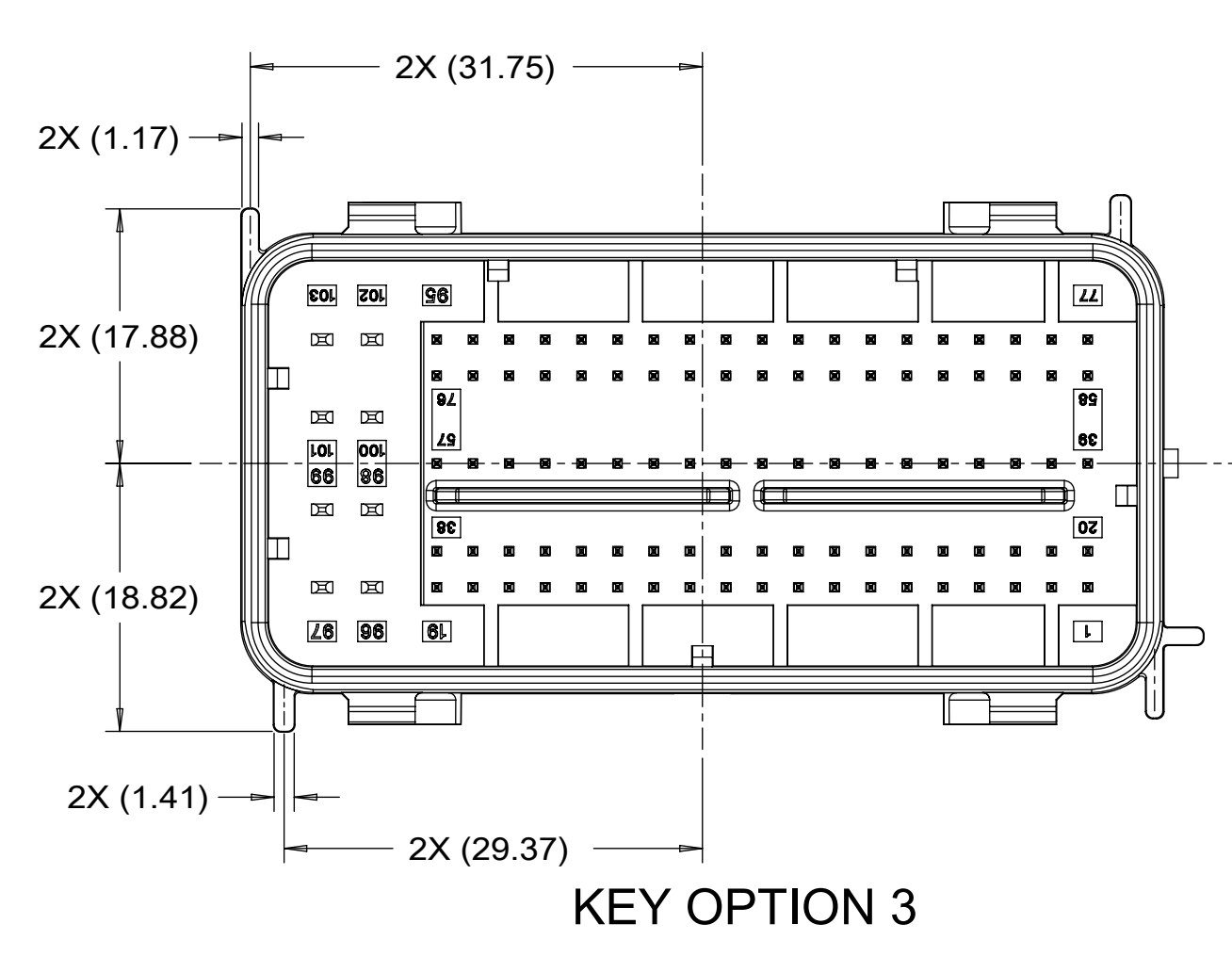
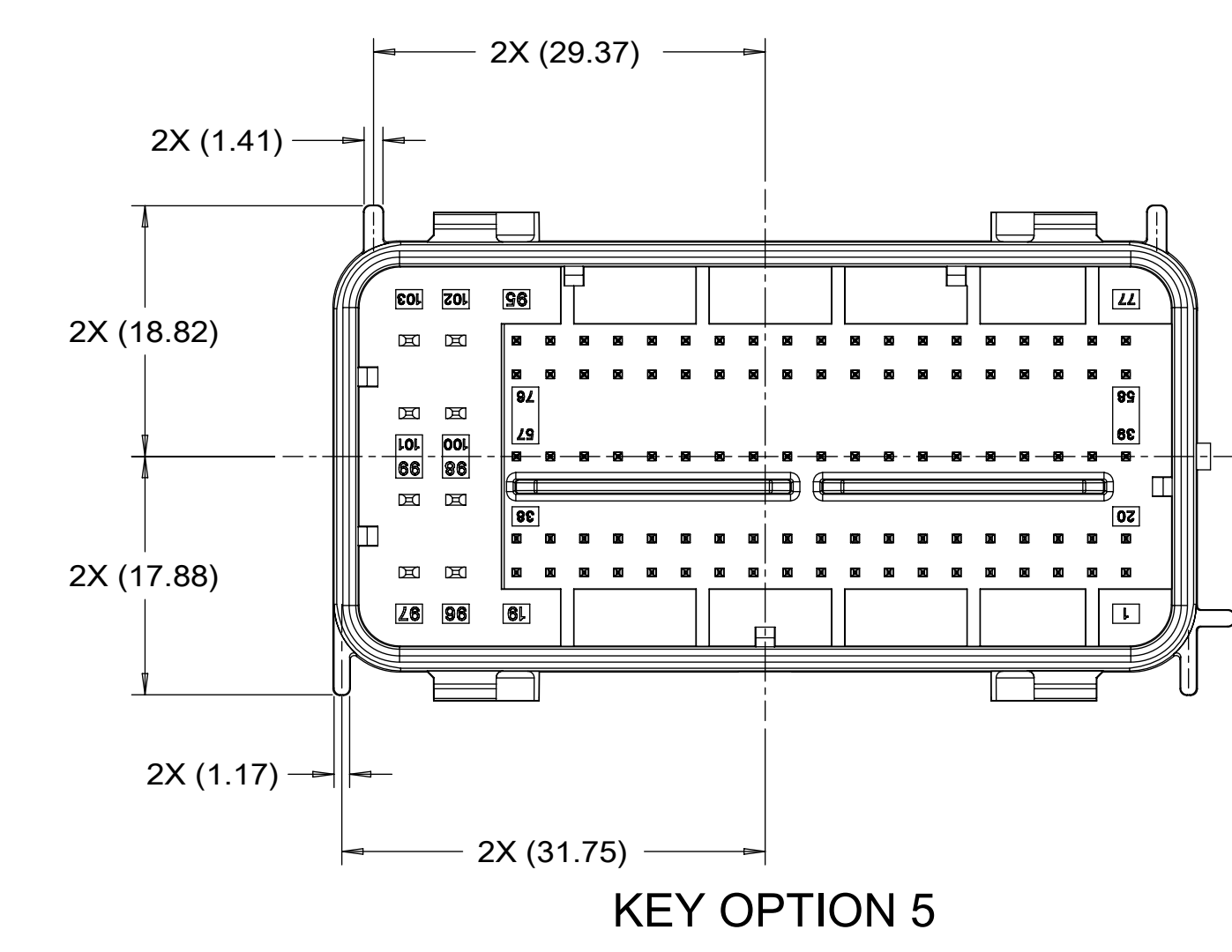
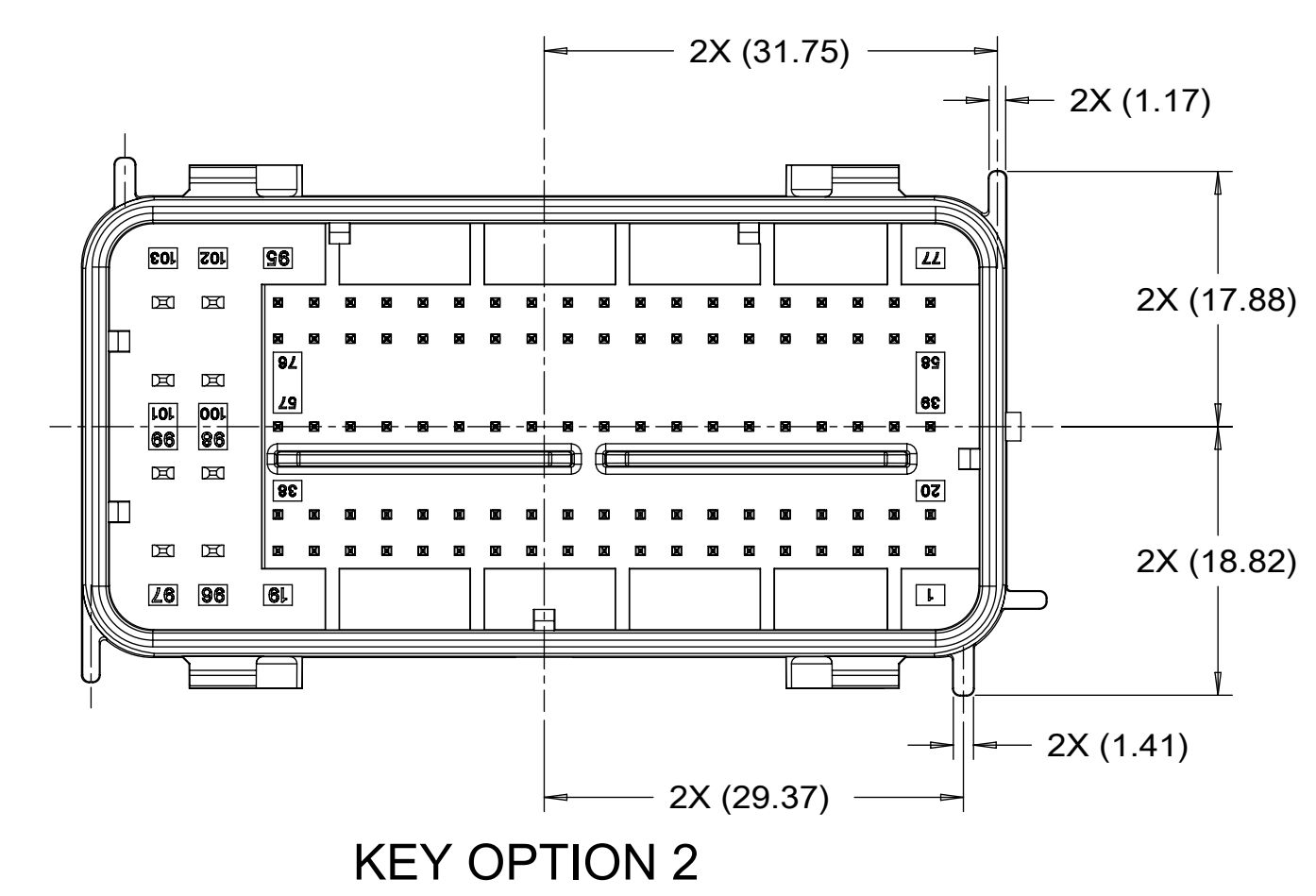
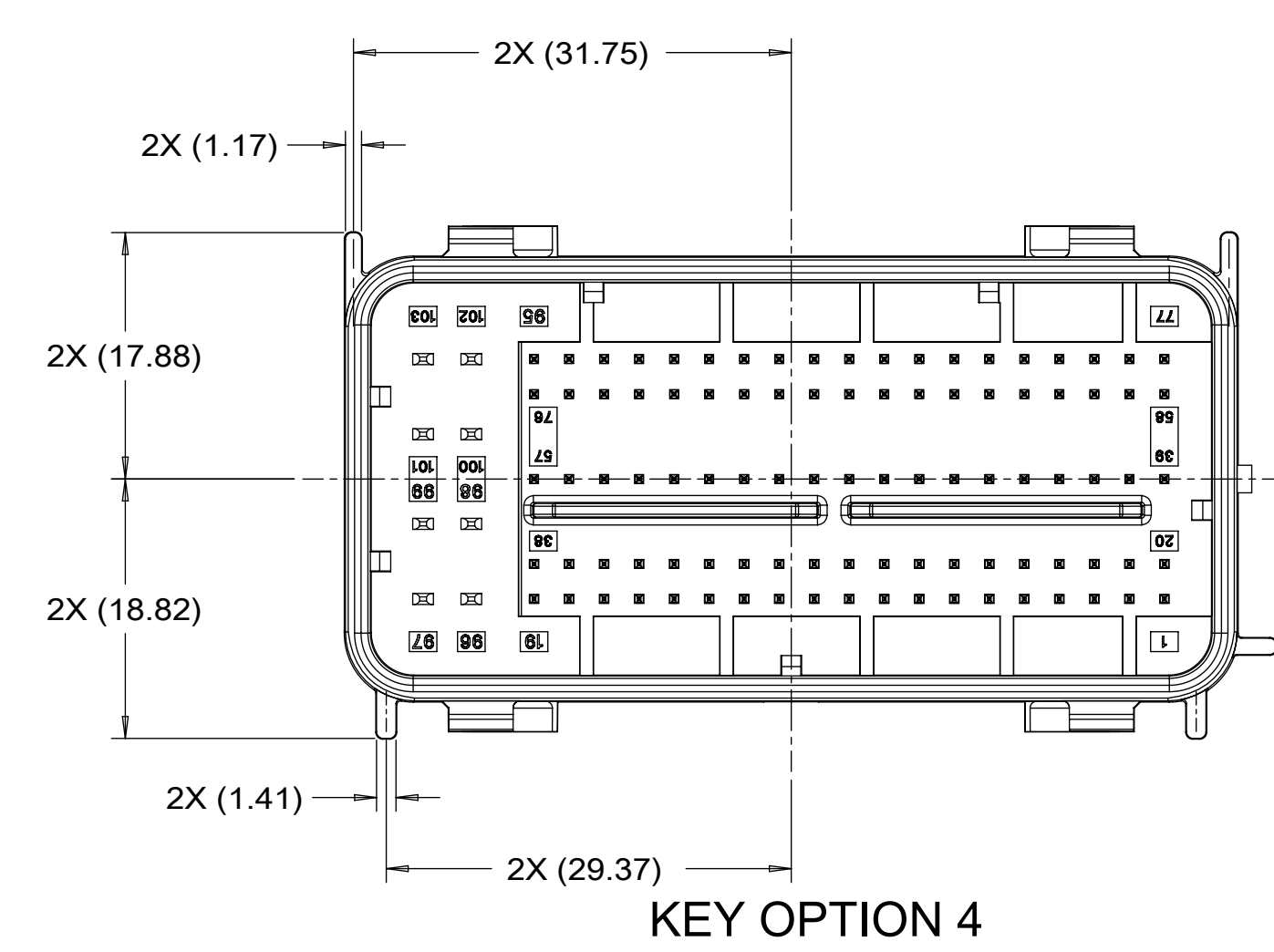
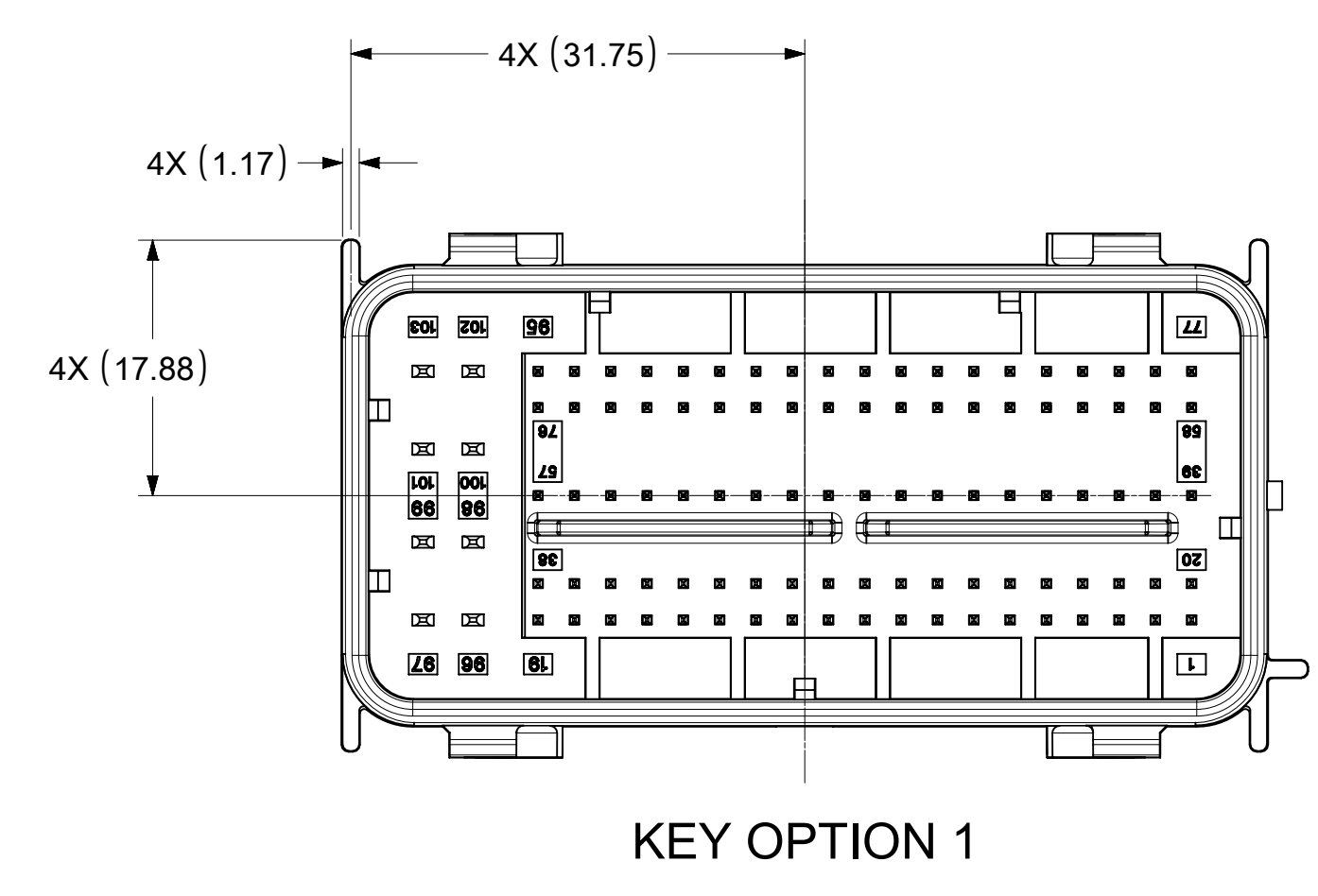
<p>SYMBOLS</p> <p>THIS DRAWING CONTAINS INFORMATION THAT IS PROPRIETARY TO MOLEX ELECTRONIC TECHNOLOGIES, LLC AND SHOULD NOT BE USED WITHOUT WRITTEN PERMISSION</p> <p>DIMENSION UNITS: mm</p> <p>SCALE: 2:1</p> <p>CURRENT REV DESC: NOTE AND TABLE UPDATED</p>	<p>0 = 4 PLACES</p> <p>0 = 3 PLACES</p> <p>0 = 2 PLACES</p> <p>0 = 1 PLACE</p> <p>0 = 0 PLACES</p> <p>0 = DRAFT WHERE APPLICABLE MUST REMAIN WITHIN DIMENSIONS</p>	<p>EC NO: 677806</p> <p>DRWN: NBOHIDAR 2021/09/15</p> <p>CHK'D: BDICK01 2021/09/28</p> <p>APPR: BDICK01 2021/09/28</p> <p>INITIAL REVISION:</p> <p>DRWN: NBOHIDAR 2018/09/01</p> <p>APPR: APROFFITT 2018/09/07</p>	<p>molex</p> <p>GPEC IV CONNECTOR ASSEMBLY 103 CIRCUIT</p> <p>PRODUCT CUSTOMER DRAWING</p> <p>DOCUMENT NUMBER: 349930001-SD</p> <p>DOC TYPE: PSD</p> <p>DOC PART: 000</p> <p>REVISION: A8</p>	
	<p>0 = 1 PLACE</p> <p>0 = 0 PLACES</p>	<p>THIRD ANGLE PROJECTION</p> <p>E-SIZE</p> <p>34993</p>	<p>MATERIAL NUMBER</p> <p>CUSTOMER</p> <p>SHEET NUMBER</p>	<p>1 OF 3</p>
	<p>0 = 0 PLACES</p>	<p>0 = 0 PLACES</p>	<p>0 = 0 PLACES</p>	<p>0 = 0 PLACES</p>
	<p>0 = 0 PLACES</p>	<p>0 = 0 PLACES</p>	<p>0 = 0 PLACES</p>	<p>0 = 0 PLACES</p>

SEE NOTES

KEYWAY DEFINITION

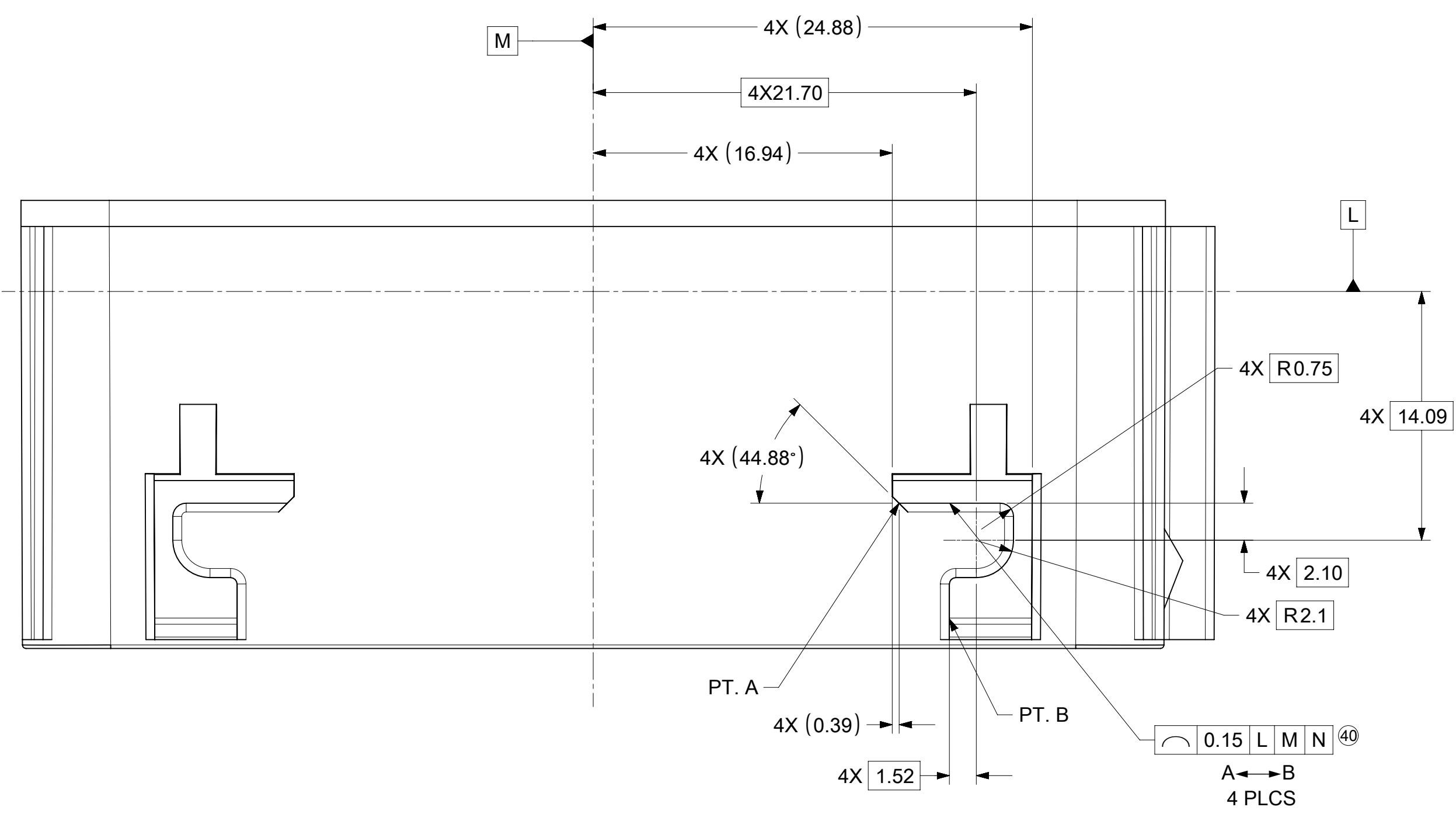
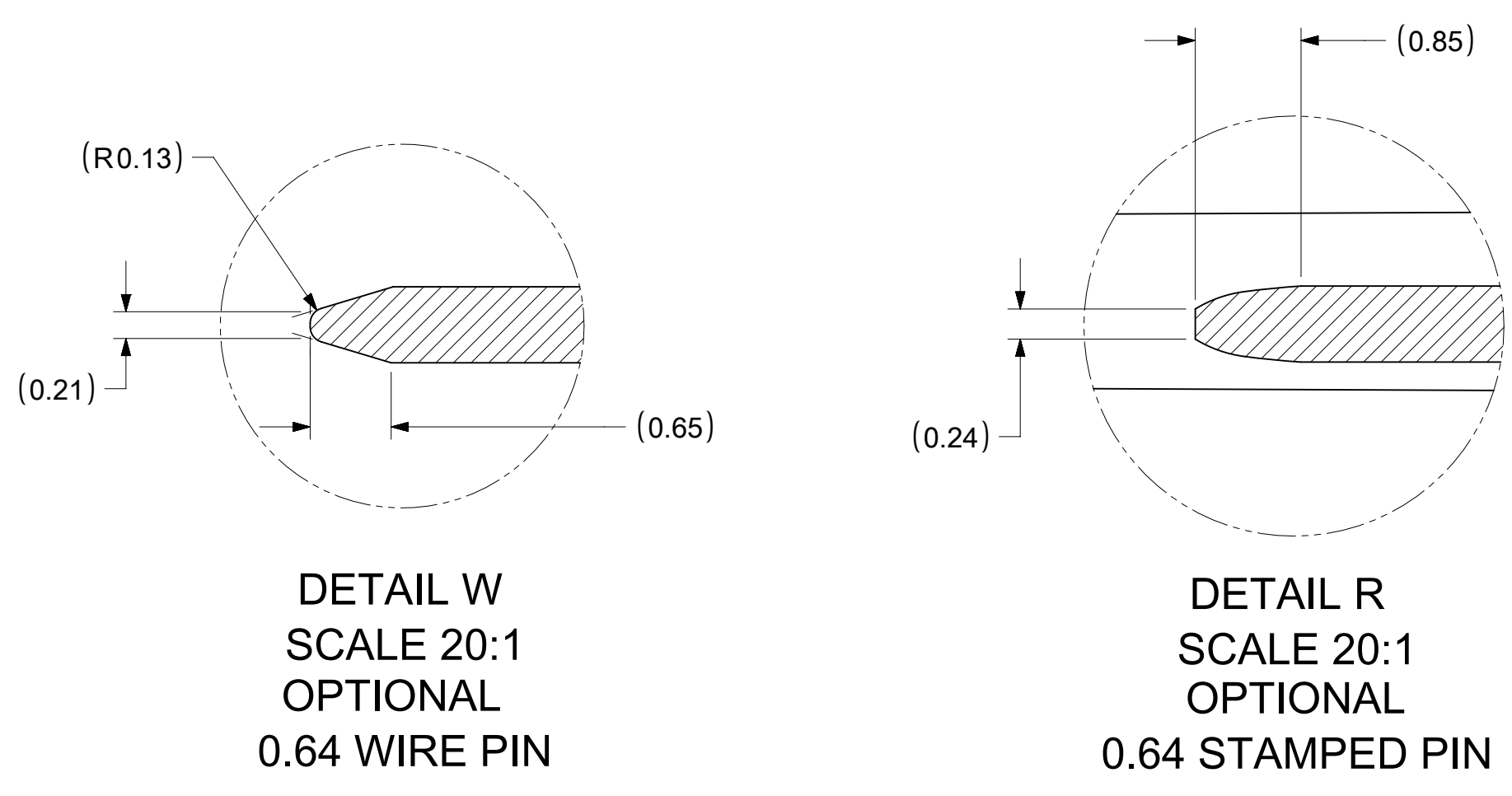


RECOMMENDED MATING INTERFACE



SYMBOLS										THIS DRAWING CONTAINS INFORMATION THAT IS PROPRIETARY TO MOLEX ELECTRONIC TECHNOLOGIES, LLC AND SHOULD NOT BE USED WITHOUT WRITTEN PERMISSION									
= 0					mm					SCALE					2:1				
= 0					GENERAL TOLERANCES (UNLESS SPECIFIED)					CURRENT REV DESC: NOTE AND TABLE UPDATED									
= 0					ANGULAR TOL ±					EC NO: 677806									
= 0					4 PLACES					DRWN: NBOHIDAR					2021/09/15				
= 0					3 PLACES					CHK'D: BDICK01					2021/09/28				
= 0					2 PLACES					APPR: BDICK01					2021/09/28				
= 0					1 PLACE					INITIAL REVISION:					GPEC IV CONNECTOR ASSEMBLY 103 CIRCUIT				
= 0					0 PLACES					DRWN: NBOHIDAR									
= 0					DRAFT WHERE APPLICABLE MUST REMAIN WITHIN DIMENSIONS					APPR: APROFFITT					2018/09/07				
= 0					THIRD ANGLE PROJECTION					DRAWING					SERIES				
= 0					E-SIZE					34993					MATERIAL NUMBER				
= 0					CHARTED					GENERAL MARKET					SHEET NUMBER				
= 0					2 OF 3														

RECOMMENDED MATING INTERFACE



NOTES FOR INTERFACE: UNLESS OTHERWISE SPECIFIED

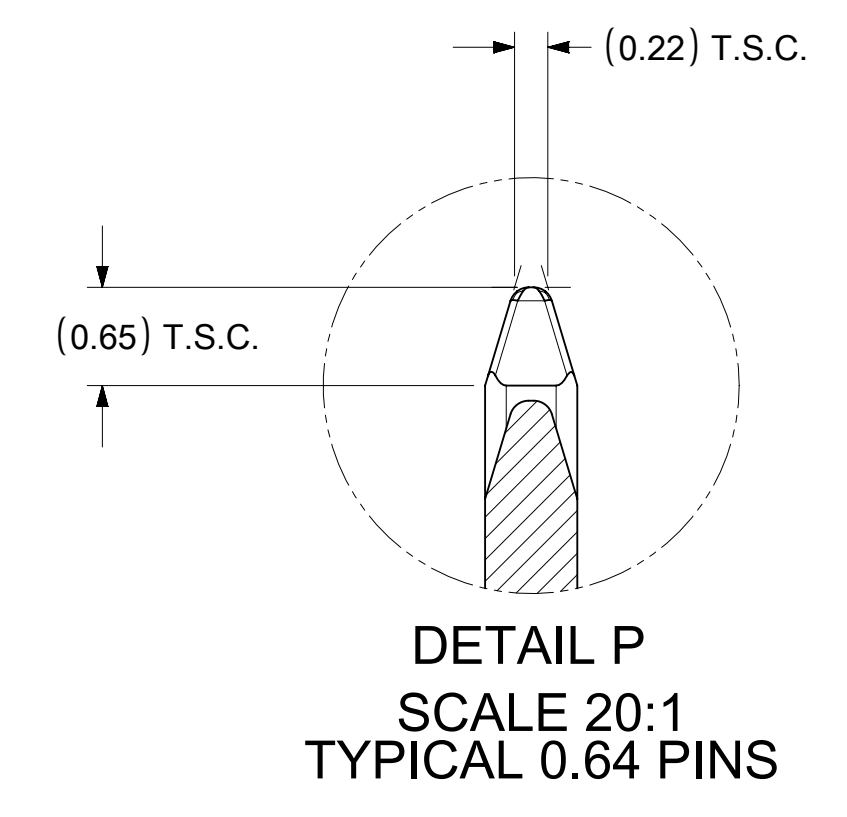
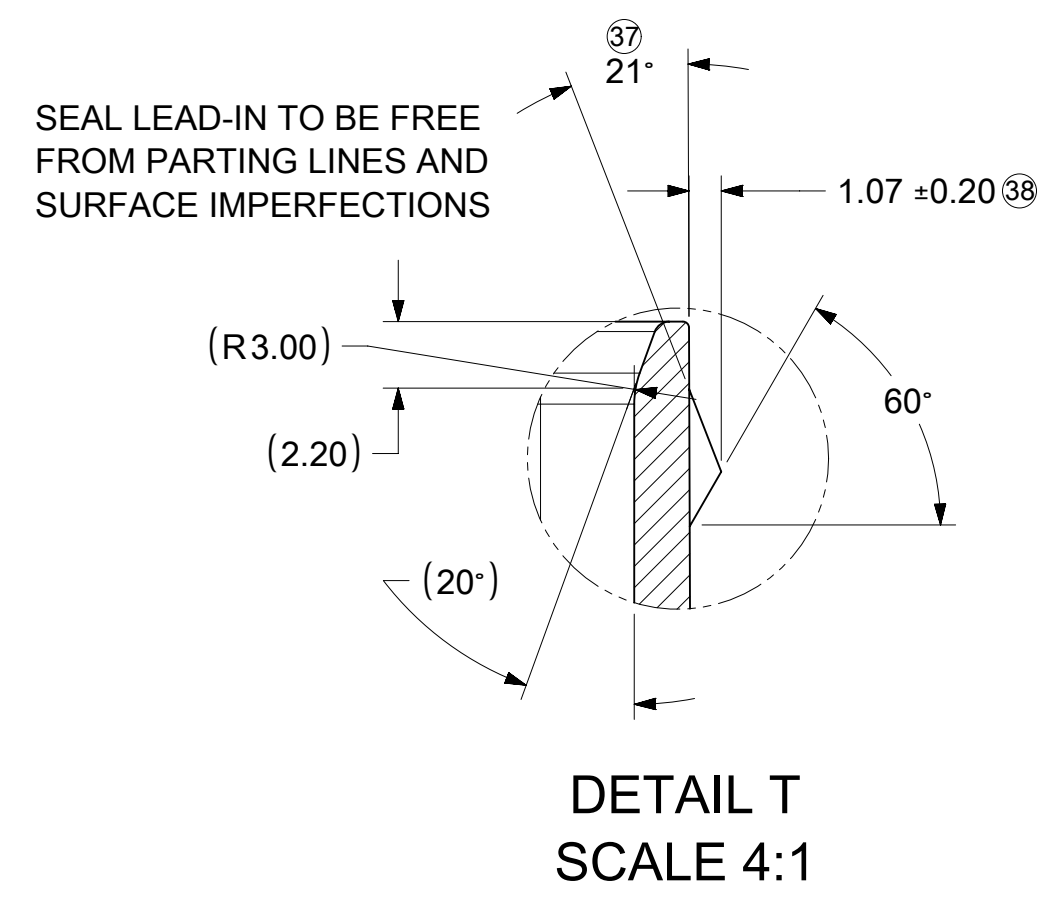
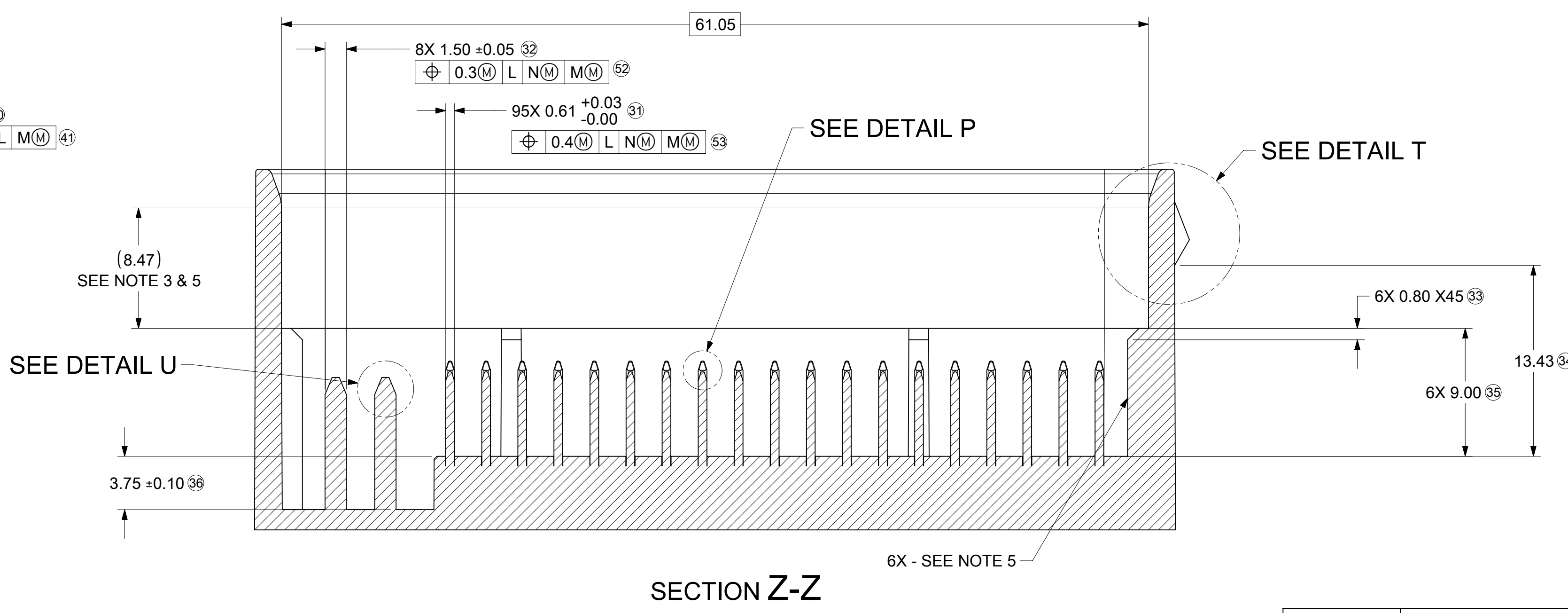
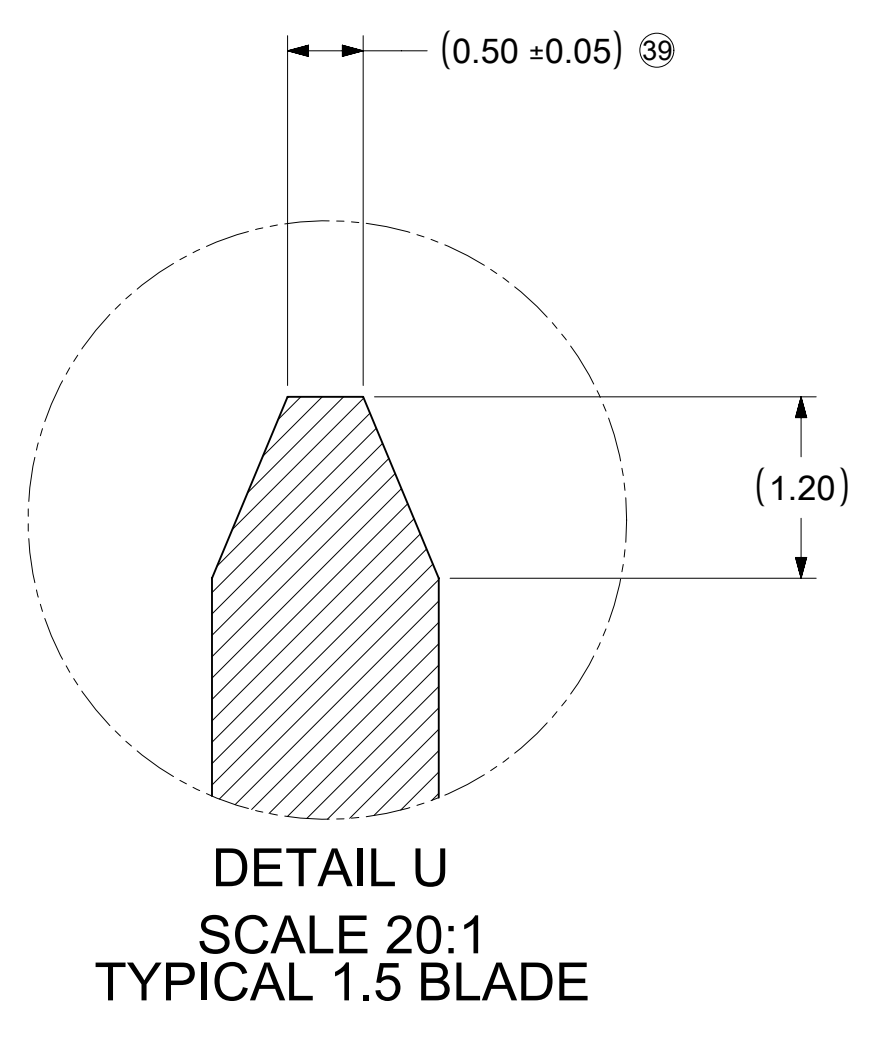
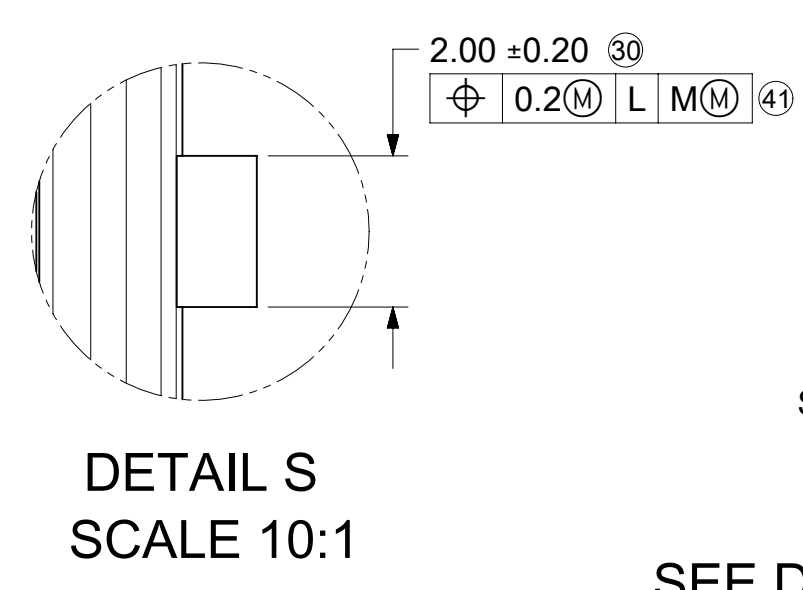
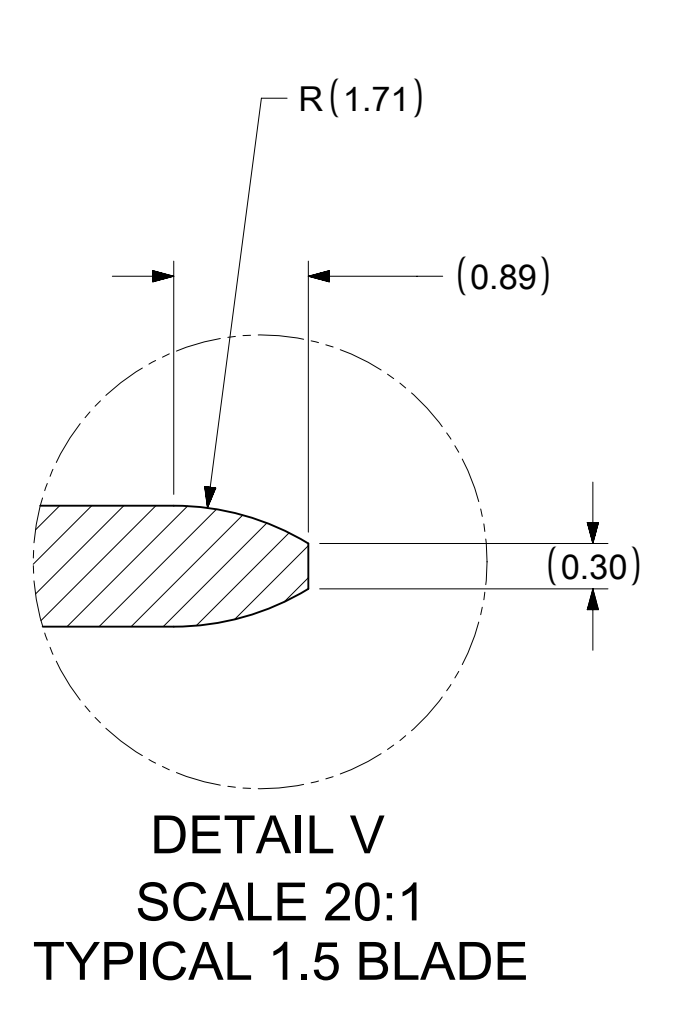
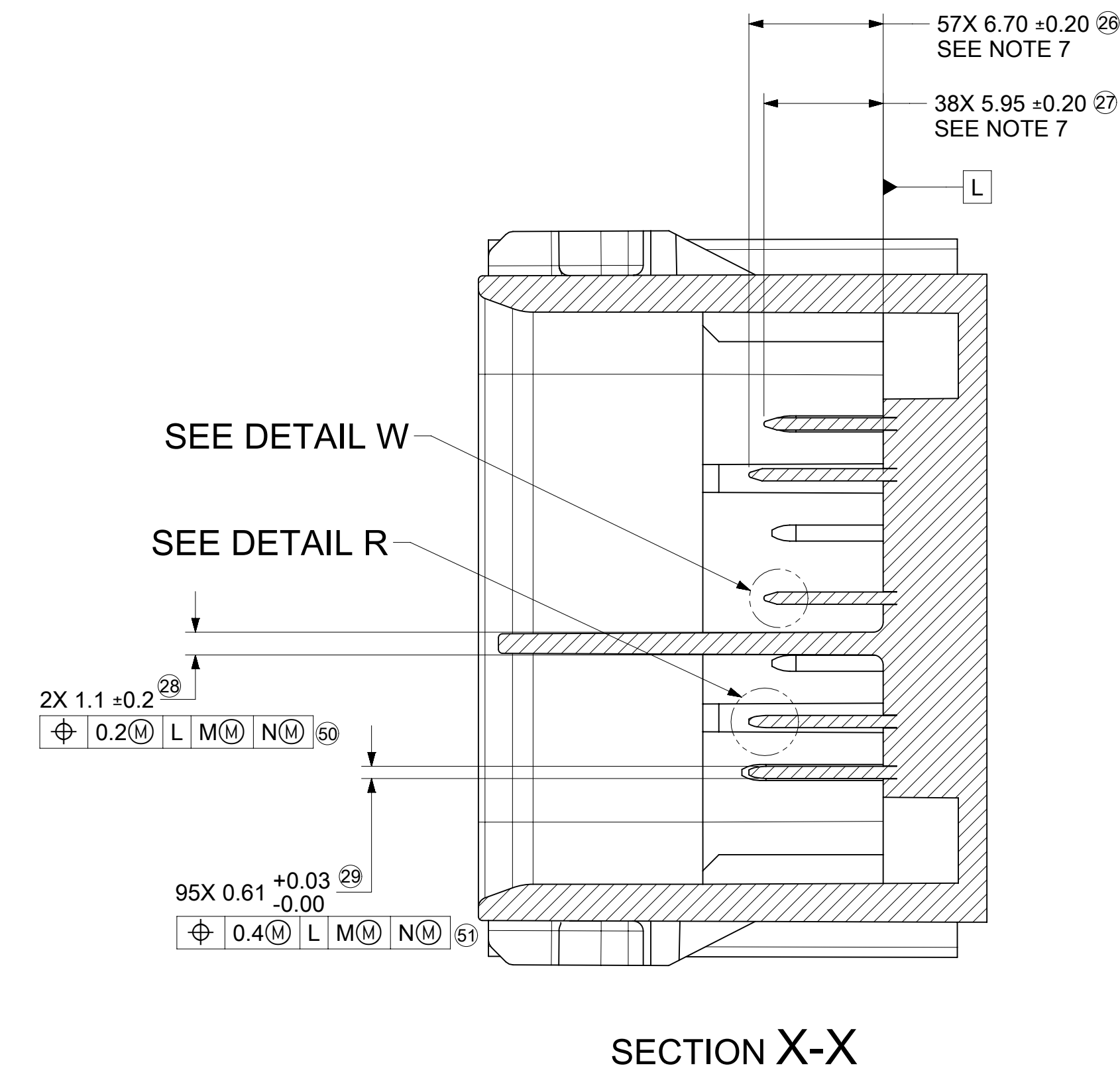
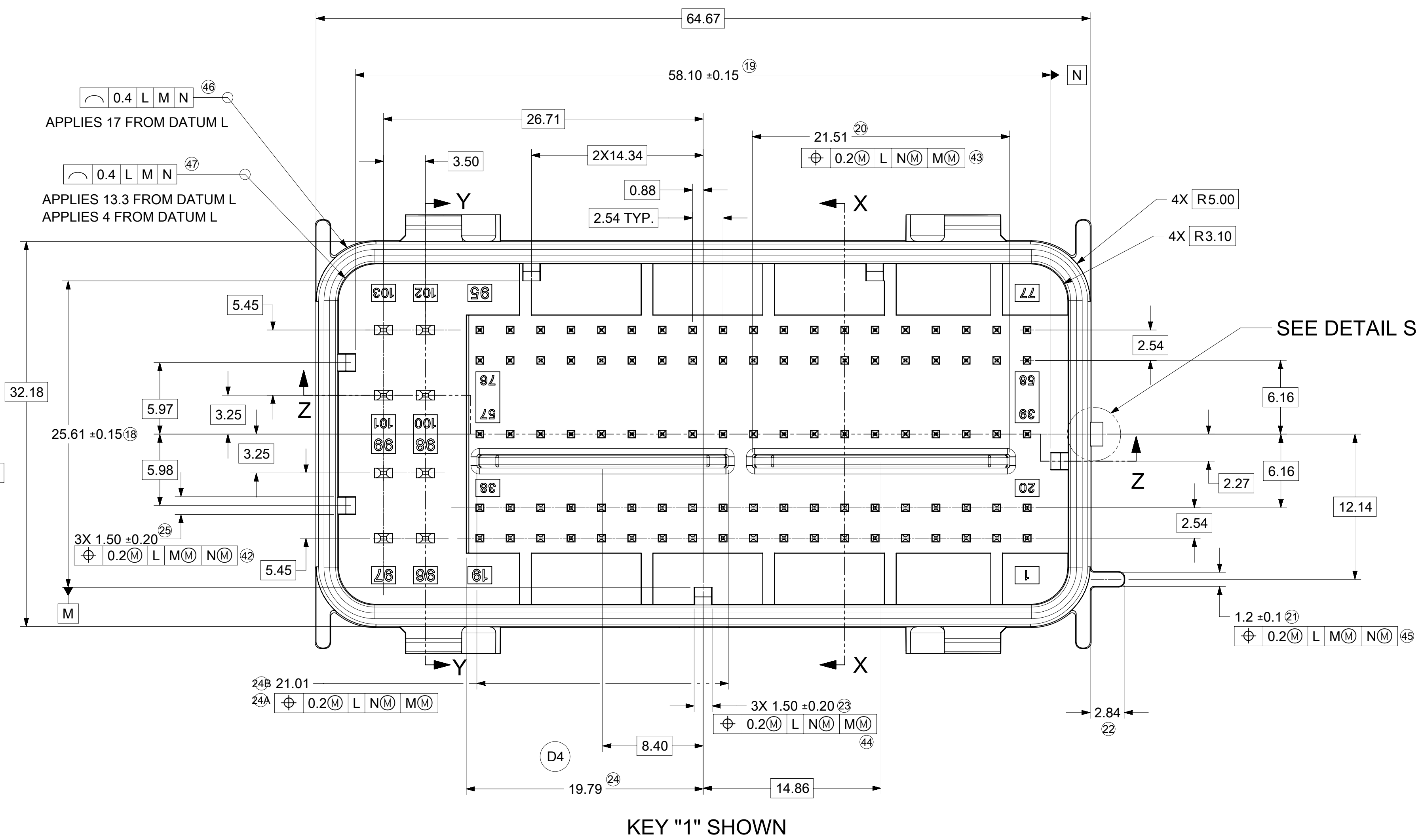
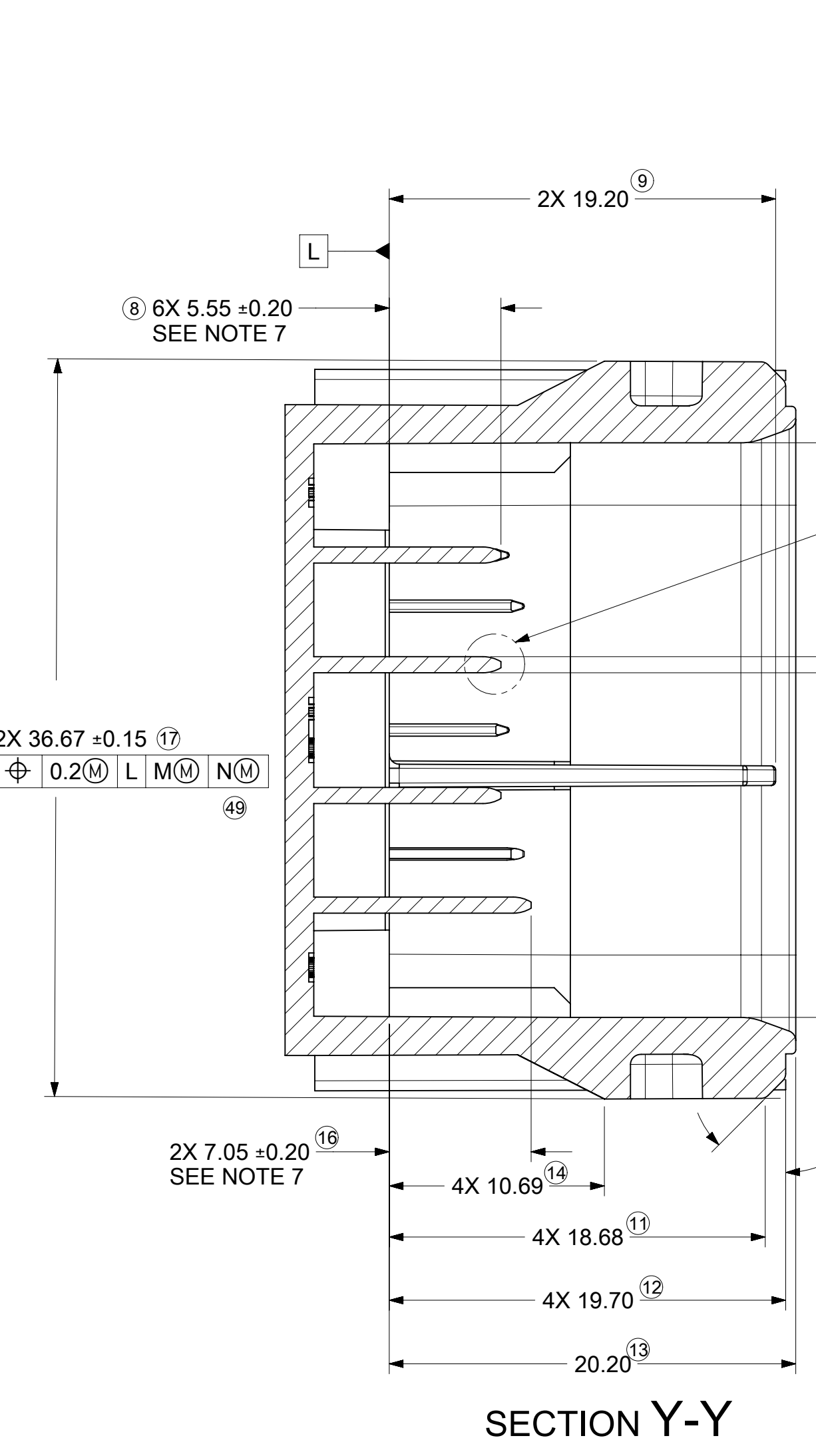
- GENERAL TOLERANCES:
LINEAR DIMENSIONS: +0.20
ANGULAR DIMENSIONS: ±3°
- DRAFT ANGLE PERMISSIBLE ONLY WITHIN DRAWING TOLERANCE.
- SEAL SURFACE: NO WITNESS LINES OR DAMAGE PERMITTED.
- ALL UNMARKED RADII TO BE 0.5 MAX. UNLESS OTHERWISE SPECIFIED.
- ZERO DRAFT AREA
- CONNECTION SYSTEM VALIDATED TO USCAR2, REVISION 5
- PIN ROW HEIGHTS ARE INTENTIONALLY OFFSET

POWER CONTACT PIN NOTES: (1.5 CIRCUITS)

- MATERIAL: Cu ALLOY
WITH TENSILE STRENGTH > 410 N/mm²
ELECTRICAL CONDUCTANCE > 16 Sm/mm²
(>28% IACS AT 20°C)
- BASE PLATING: 1.25-2.25µm Ni OVERALL.
- REFLOW TIN PLATING: 2.5-4.0µm OVERALL.
- CONTACT MUST BE FREE OF BURRS AND SHARP EDGES.
- PROCESS COMPONENTS IN A LOW-SULFUR ENVIRONMENT AND AVOID CONTACT WITH MATERIALS THAT TRANSFER SULFUR TO THE ENVIRONMENT.

SIGNAL CONTACT PIN NOTES: (0.64 CIRCUITS)

- MATERIAL: Cu ALLOY
WITH TENSILE STRENGTH > 410 N/mm²
ELECTRICAL CONDUCTANCE > 16 Sm/mm²
(>28% IACS AT 20°C)
- BASE PLATING: 1.25-2.5µm Ni OVERALL.
- SILVER PLATING: 2-4µm Ag WITH TARNISH RESISTANT TREATMENT APPLIED TO THE ENTIRE SILVER SURFACE.
- CONTACT MUST BE FREE OF BURRS AND SHARP EDGES.
- FOR SILVER PLATING: ELECTRICAL PERFORMANCE IS NOT AFFECTED BY GREY OR BLACK TARNISH ON THE SILVER PLATING SURFACE. ACCEPTABLE SILVER PIN SURFACES CAN INCLUDE GREY OR BLACK TARNISH.
- PROCESS COMPONENTS IN A LOW-SULFUR ENVIRONMENT AND AVOID CONTACT WITH MATERIALS THAT TRANSFER SULFUR TO THE ENVIRONMENT.



SYMBOLS	THIS DRAWING CONTAINS INFORMATION THAT IS PROPRIETARY TO MOLEX ELECTRONIC TECHNOLOGIES, LLC AND SHOULD NOT BE USED WITHOUT WRITTEN PERMISSION		CURRENT REV DESC: NOTE AND TABLE UPDATED		
	DIMENSION UNITS	SCALE			
▽ = 0	mm	2:1			GPEC IV CONNECTOR ASSEMBLY 103 CIRCUIT
▽ = 0	GENERAL TOLERANCES (UNLESS SPECIFIED)				
▽ = 0	ANGULAR TOL ±				PRODUCT CUSTOMER DRAWING
▽ = 0	4 PLACES				
▽ = 0	3 PLACES				DOCUMENT NUMBER 349930001-SD
▽ = 0	2 PLACES				
▽ = 0	1 PLACE				DOC TYPE DOC PART REVISION PSD 000 A8
▽ = 0	0 PLACES				
■ = 0	DRAFT WHERE APPLICABLE MUST REMAIN WITHIN DIMENSIONS		THIRD ANGLE PROJECTION	DRAWING	SHEET NUMBER
▽ = 0			E-SIZE	34993	3 OF 3

BOM AND PIN OUT SHEET

ASSEMBLY DESCRIPTION	ASSEMBLY PART NUMBER	COMPONENT							BLOCKED TERMINALS																				STATUS	COMMENTS
		THE PRESENCE OF AN ABBREVIATION INDICATES THE PRESENCE OF THAT COMPONENT.							CAVITY WITH A NUMBER INDICATES BLOCKED TERMINAL POSITION CAVITY WITHOUT A NUMBER INDICATES OPEN TERMINAL POSITION																					
		OUTER HOUSING KEY/COLOR	INNER HOUSING	PLR	LEVER	LEVER ARM (x/2)	MAT SEAL	RING SEAL	1	2	-	-	5	-	-	8	-	-	-	-	-	15	-	17	18	-	96	-		
GPEC RCPT CONN 103 CKT TOP LVRKEY 1/55	349931031	1-BLACK	IH	PLR	LT	LA	M	R	-	-	-	-	5	-	-	8	-	-	-	-	-	-	-	-	-	-	-	-		
GPEC RCPT CONN 103 CKT TOP LVRKEY 1/59	349931032	1-BLACK	IH	PLR	LT	LA	M	R	-	-	-	-	5	-	-	8	-	-	-	-	-	-	-	-	-	-	-	-		
GPEC RCPT CONN 103 CKT TOP LVRKEY 1/53	349931033	1-BLACK	IH	PLR	LT	LA	M	R	-	-	-	-	5	-	7	8	9	-	-	-	-	-	-	-	-	-	-	-		
GPEC RCPT CONN 103 CKT TOP LVRKEY 1/57	349931034	1-BLACK	IH	PLR	LT	LA	M	R	-	-	-	-	6	7	8	9	10	11	12	-	-	-	-	-	-	-	-	-		
GPEC RCPT CONN 103 CKT TOP LVRKEY 1/58	349931035	1-BLACK	IH	PLR	LT	LA	M	R	-	-	-	-	6	7	8	9	10	11	-	-	-	-	-	-	-	-	-	-		
GPEC RCPT CONN 103 CKT TOP LVRKEY 1/48	349931036	1-BLACK	IH	PLR	LT	LA	M	R	1	-	-	-	5	6	7	8	9	10	11	-	13	-	-	-	17	-	-	-		
GPEC RCPT CONN 103 CKT TOP LVRKEY 1/51	349931037	1-BLACK	IH	PLR	LT	LA	M	R	1	-	-	-	5	6	7	8	9	10	11	-	13	-	-	-	17	-	-	-		
GPEC RCPT CONN 103 CKT TOP LVRKEY 1/45	349931038	1-BLACK	IH	PLR	LT	LA	M	R	1	2	-	-	5	6	7	8	9	10	11	-	13	-	15	-	17	18	-	-		
GPEC RCPT CONN 103 CKT TOP LVRKEY 1/48	349931039	1-BLACK	IH	PLR	LT	LA	M	R	1	2	-	-	5	6	7	8	9	10	11	-	13	-	15	-	17	18	-	-		
GPEC RCPT CONN 103 CKT TOP LVRKEY 1/46	349931040	1-BLACK	IH	PLR	LT	LA	M	R	-	-	-	4	5	6	7	8	9	10	11	12	-	-	15	-	-	-	-	-		



BOM AND PIN OUT SHEET

ASSEMBLY DESCRIPTION	ASSEMBLY PART NUMBER	COMPONENT							BLOCKED TERMINALS																	STATUS	COMMENTS								
		THE PRESENCE OF AN ABBREVIATION INDICATES THE PRESENCE OF THAT COMPONENT.							CAVITY WITH A NUMBER INDICATES BLOCKED TERMINAL POSITION CAVITY WITHOUT A NUMBER INDICATES OPEN TERMINAL POSITION																										
		OUTER HOUSING KEY/COLOR	INNER HOUSING	PLR	LEVER	LEVER ARM (x/2)	MAT SEAL	RING SEAL	-	-	-	-	-	-	-	-	-	-	-	-	-	-	-	-	-			-	-	-					
GPEC RCPT CONN 103 CKT TOP LVR KEY 4/84	349937002	4-BLACK	IH	PLR	LT	LA	M	R	-	-	-	-	-	-	-	-	-	-	-	-	-	-	-	-	-	-	-	-							
									-	-	-	-	-	-	-	-	-	-	-	-	-	-	-	-	-	-	-	-	-	-	-	-	-	-	
									-	-	-	-	-	-	-	-	-	-	-	-	-	-	-	-	-	-	-	-	-	-	-	-	-	-	-
									77	78	79	80	81	82	83	84	85	86	87	88	89	90	91	92	93	94	95	-	-	-	-	-	-	-	
GPEC RCPT CONN 103 CKT TOP LVR KEY 4/56	349937003	4-BLACK	IH	PLR	LT	LA	M	R	-	-	-	-	-	6	7	8	9	10	11	12	13	-	-	-	-	-	-	-	96	-					
									-	-	-	23	-	-	-	-	-	-	-	28	-	-	-	31	-	-	-	35	-	-	-	-	-	98	-
									39	40	-	-	43	44	45	46	47	48	-	-	-	-	-	-	-	-	-	-	-	-	-	-	-	57	-
									58	-	60	61	62	63	64	65	-	-	68	69	-	71	-	73	74	-	-	-	-	-	-	-	-	-	-
GPEC RCPT CONN 103 CKT TOP LVR KEY 4/59	349937004	4-BLACK	IH	PLR	LT	LA	M	R	-	-	-	-	-	6	7	8	9	10	11	12	13	-	-	-	-	-	-	96	-						
									-	-	-	23	-	-	-	-	-	-	-	-	-	31	-	-	-	35	-	-	-	-	-	-	-	-	
									39	-	-	-	43	44	45	46	47	48	-	-	-	-	-	-	-	-	-	-	-	-	-	-	-	57	-
									58	-	60	61	62	63	64	65	-	-	68	69	-	71	-	73	74	-	-	-	-	-	-	-	-	-	-
GPEC RCPT CONN 103 CKT TOP LVR KEY 4/54	349937005	4-BLACK	IH	PLR	LT	LA	M	R	1	2	3	4	5	6	7	8	9	10	11	12	13	-	-	-	-	-	-	96	-						
									-	-	-	23	-	-	-	-	-	-	-	-	-	31	-	-	-	35	-	-	-	-	-	-	-	-	
									39	-	-	-	43	44	45	46	47	48	-	-	-	-	-	-	-	-	-	-	-	-	-	-	-	57	-
									58	-	60	61	62	63	64	65	-	-	68	69	-	71	-	73	74	-	-	-	-	-	-	-	-	-	-
GPEC RCPT CONN 103 CKT TOP LVR KEY 4/58	349937006	4-BLACK	IH	PLR	LT	LA	M	R	-	-	-	-	-	6	7	8	9	10	11	12	13	-	-	-	-	-	-	96	-						
									-	-	-	23	-	-	-	-	-	-	-	-	-	28	-	-	31	-	-	-	35	-	-	-	-	-	
									39	40	-	-	43	44	45	46	47	48	-	-	-	-	-	-	-	-	-	-	-	-	-	-	-	57	-
									58	-	60	61	62	63	64	65	-	-	68	69	-	71	-	-	74	-	-	-	-	-	-	-	-	-	-
GPEC RCPT CONN 103 CKT TOP LVR KEY 4/58	349937007	4-BLACK	IH	PLR	LT	LA	M	R	-	-	-	-	-	6	7	8	9	10	11	12	13	-	-	-	-	-	-	96	-						
									-	-	-	23	-	-	-	-	-	-	-	-	-	28	-	-	31	-	-	-	35	-	-	-	-	-	
									39	-	-	-	43	44	45	46	47	48	-	-	-	-	-	-	-	-	-	-	-	-	-	-	-	57	-
									58	59	60	61	62	63	64	65	-	-	68	69	-	71	-	-	74	-	-	-	-	-	-	-	-	-	-
GPEC RCPT CONN 103 CKT TOP LVR KEY 4/58	349937008	4-BLACK	IH	PLR	LT	LA	M	R	-	-	-	-	-	6	7	8	9	10	11	12	13	-	-	-	-	-	-	96	-						
									-	-	-	23	-	-	-	-	-	-	-	-	-	28	-	-	31	-	-	-	35	-	-	-	-	-	
									39	-	41	-	43	44	45	46	47	48	-	-	-	-	-	-	-	-	-	-	-	-	-	-	-	57	-
									58	-	60	61	62	63	64	65	-	-	68	69	-	71	-	73	74	-	-	-	-	-	-	-	-	-	-
GPEC RCPT CONN 103 CKT TOP LVR KEY 4/54	349937009	4-BLACK	IH	PLR	LT	LA	M	R	-	-	-	-	-	6	7	8	9	10	11	12	13	-	-	-	-	-	-	96	-						
									-	-	-	23	-	-	-	-	-	-	-	-	-	28	-	-	31	-	-	-	35	-	-	-	-	-	
									39	40	41	-	43	44	45	46	47	48	-	-	-	-	-	-	-	-	-	-	-	-	-	-	-	57	-
									58	59	60	61	62	63	64	65	-	-	68	69	-	71	-	73	74	-	-	-	-	-	-	-	-	-	-
GPEC RCPT CONN 103 CKT TOP LVR KEY 4/55	349937010	4-BLACK	IH	PLR	LT	LA	M	R	-	-	-	-	-	6	7	8	9	10	11	12	13	-	-	-	-	-	-	96	-						
									-	-	-	23	-	-	-	-	-	-	-	-	-	28	-	-	31	-	-	-	35	-	-	-	-	-	
									39	40	41	-	43	44	45	46	47	48	-	-	-	-	-	-	-	-	-	-	-	-	-	-	-	57	-
									58	-	60	61	62	63	64	65	-	-	68	69	-	71	-	73	74	-	-	-	-	-	-	-	-	-	-
GPEC RCPT CONN 103 CKT TOP LVR KEY 4/39	349937011	4-BLACK	IH	PLR	LT	LA	M	R	1	2	3	-	5	-	-	-	9	-	-	12	13	14	15	16	-	18	19	-	-						
									20	21	22	23	24	-	-	27	-	29	30	31	32	-	34	35	-	37	38	-	-	-	-	-	-	-	
									-	-	-	-	43	44	45	-	-	-	-	-	50	51	-	53	54	55	56	57	-	-	-	-	-	-	-
									-	59	-	-	-	-	-	-	-	-	68	69	70	71	72	73	74	75	-	-	-	-	-	-	-	-	-
77	78	79	80	81	82	83	84	85	86	87	88	89	90	91	92	93	94	95	-	-	-	-	-	-	-	-	-								

ASSEMBLY DESCRIPTION	ASSEMBLY PART NUMBER	COMPONENT							BLOCKED TERMINALS																			STATUS	COMMENTS
		THE PRESENCE OF AN ABBREVIATION INDICATES THE PRESENCE OF THAT COMPONENT.							CAVITY WITH A NUMBER INDICATES BLOCKED TERMINAL POSITION CAVITY WITHOUT A NUMBER INDICATES OPEN TERMINAL POSITION																				
		OUTER HOUSING KEY/COLOR	INNER HOUSING	PLR	LEVER	LEVER ARM (x/2)	MAT SEAL	RING SEAL	1	2	3	4	5	6	7	8	9	10	11	12	13	14	15	16	17	18	19		
GPEC RCPT CONN 103 CKT TOP LVRKEY 4/28	349937012	4-BLACK	IH	PLR	LT	LA	M	R	1	2	3	4	5	6	7	8	9	10	11	12	13	14	15	16	17	18	19		
									20	21	22	23	24	25	26	27	28	29	30	31	32	33	34	35	36	37	38		
									39	40	41	42	43	44	45	46	47	48	49	50	51	52	53	54	55	56	57		
									58	59	60	61	62	63	64	65	66	67	68	69	70	71	72	73	74	75	76		
GPEC RCPT CONN 103 CKT TOP LVRKEY 4/58	349937013	4-BLACK	IH	PLR	LT	LA	M	R	77	78	79	80	81	82	83	84	85	86	87	88	89	90	91	92	93	94	95		
									1	2	3	4	5	6	7	8	9	10	11	12	13	14	15	16	17	18	19		
									20	21	22	23	24	25	26	27	28	29	30	31	32	33	34	35	36	37	38		
									39	40	41	42	43	44	45	46	47	48	49	50	51	52	53	54	55	56	57		
GPEC RCPT CONN 103 CKT TOP LVRKEY 4/60	349937014	4-BLACK	IH	PLR	LT	LA	M	R	58	59	60	61	62	63	64	65	66	67	68	69	70	71	72	73	74	75	76		
									1	2	3	4	5	6	7	8	9	10	11	12	13	14	15	16	17	18	19		
									20	21	22	23	24	25	26	27	28	29	30	31	32	33	34	35	36	37	38		
									39	40	41	42	43	44	45	46	47	48	49	50	51	52	53	54	55	56	57		
GPEC RCPT CONN 103 CKT TOP LVRKEY 4/101	349937015	4-BLACK	IH	PLR	LT	LA	M	R	77	78	79	80	81	82	83	84	85	86	87	88	89	90	91	92	93	94	95		
									1	2	3	4	5	6	7	8	9	10	11	12	13	14	15	16	17	18	19		
									20	21	22	23	24	25	26	27	28	29	30	31	32	33	34	35	36	37	38		
									39	40	41	42	43	44	45	46	47	48	49	50	51	52	53	54	55	56	57		
GPEC RCPT CONN 103 CKT TOP LVRKEY 4/58	349937016	4-BLACK	IH	PLR	LT	LA	M	R	58	59	60	61	62	63	64	65	66	67	68	69	70	71	72	73	74	75	76		
									1	2	3	4	5	6	7	8	9	10	11	12	13	14	15	16	17	18	19		
									20	21	22	23	24	25	26	27	28	29	30	31	32	33	34	35	36	37	38		
									39	40	41	42	43	44	45	46	47	48	49	50	51	52	53	54	55	56	57		
GPEC RCPT CONN 103 CKT TOP LVRKEY 4/57	349937017	4-BLACK	IH	PLR	LT	LA	M	R	77	78	79	80	81	82	83	84	85	86	87	88	89	90	91	92	93	94	95		
									1	2	3	4	5	6	7	8	9	10	11	12	13	14	15	16	17	18	19		
									20	21	22	23	24	25	26	27	28	29	30	31	32	33	34	35	36	37	38		
									39	40	41	42	43	44	45	46	47	48	49	50	51	52	53	54	55	56	57		
GPEC RCPT CONN 103 CKT TOP LVRKEY 4/52	349937018	4-BLACK	IH	PLR	LT	LA	M	R	58	59	60	61	62	63	64	65	66	67	68	69	70	71	72	73	74	75	76		
									1	2	3	4	5	6	7	8	9	10	11	12	13	14	15	16	17	18	19		
									20	21	22	23	24	25	26	27	28	29	30	31	32	33	34	35	36	37	38		
									39	40	41	42	43	44	45	46	47	48	49	50	51	52	53	54	55	56	57		
GPEC RCPT CONN 103 CKT TOP LVRKEY 4/52	349937019	4-BLACK	IH	PLR	LT	LA	M	R	77	78	79	80	81	82	83	84	85	86	87	88	89	90	91	92	93	94	95		
									1	2	3	4	5	6	7	8	9	10	11	12	13	14	15	16	17	18	19		
									20	21	22	23	24	25	26	27	28	29	30	31	32	33	34	35	36	37	38		
									39	40	41	42	43	44	45	46	47	48	49	50	51	52	53	54	55	56	57		
GPEC RCPT CONN 103 CKT TOP LVRKEY 4/54	349937020	4-BLACK	IH	PLR	LT	LA	M	R	58	59	60	61	62	63	64	65	66	67	68	69	70	71	72	73	74	75	76		
									1	2	3	4	5	6	7	8	9	10	11	12	13	14	15	16	17	18	19		
									20	21	22	23	24	25	26	27	28	29	30	31	32	33	34	35	36	37	38		
									39	40	41	42	43	44	45	46	47	48	49	50	51	52	53	54	55	56	57		
GPEC RCPT CONN 103 CKT TOP LVRKEY 4/35	349937021	4-BLACK	IH	PLR	LT	LA	M	R	77	78	79	80	81	82	83	84	85	86	87	88	89	90	91	92	93	94	95		
									1	2	3	4	5	6	7	8	9	10	11	12	13	14	15	16	17	18	19		
									20	21	22	23	24	25	26	27	28	29	30	31	32	33	34	35	36	37	38		
									39	40	41	42	43	44	45	46	47	48	49	50	51	52	53	54	55	56	57		

BOM AND PIN OUT SHEET

ASSEMBLY DESCRIPTION	ASSEMBLY PART NUMBER	COMPONENT							BLOCKED TERMINALS																	STATUS	COMMENTS							
		THE PRESENCE OF AN ABBREVIATION INDICATES THE PRESENCE OF THAT COMPONENT.							CAVITY WITH A NUMBER INDICATES BLOCKED TERMINAL POSITION CAVITY WITHOUT A NUMBER INDICATES OPEN TERMINAL POSITION																									
		OUTER HOUSING KEY/COLOR	INNER HOUSING	PLR	LEVER	LEVER ARM (x/2)	MAT SEAL	RING SEAL	1	2	3	-	-	-	-	-	-	-	-	-	16	-	-	19	-			-						
GPEC RCPT CONN 103 CKT END LVR KEY 5/64	349938026	5-BLACK	IH	PLR	LE	LA	M	R	20	-	-	-	-	-	26	27	-	29	30	-	-	-	-	-	35	36	-	38	-	-				
									-	40	-	-	-	-	-	-	47	-	-	-	-	-	-	-	53	-	55	56	57	-	-	-	-	
									-	-	60	-	-	-	-	-	-	-	-	-	-	-	-	-	-	-	73	74	75	-	-	-	-	-
									77	78	-	-	81	82	83	84	85	86	87	88	89	90	-	92	93	94	95	-	-	-	-	-	-	-
GPEC RCPT CONN 103 CKT END LVR KEY 5/66	349938027	5-BLACK	IH	PLR	LE	LA	M	R	20	21	-	-	-	-	26	27	-	-	-	-	-	-	34	35	36	-	38	-	-					
									-	-	-	-	-	-	-	-	47	-	-	-	-	-	52	53	54	-	-	57	-	-	-	-		
									-	-	-	-	-	-	-	-	-	-	-	-	-	-	-	-	-	-	74	75	-	-	-	-	-	
									77	78	79	80	81	82	83	84	85	86	87	88	89	-	92	93	94	95	-	-	-	-	-	-	-	
GPEC RCPT CONN 103 CKT END LVR KEY 5/45	349938028	5-BLACK	IH	PLR	LE	LA	M	R	20	21	22	23	24	25	26	27	-	-	-	-	32	-	34	35	36	37	38	-	-					
									-	-	-	-	-	44	45	-	47	-	-	-	-	52	53	54	-	-	57	-	-	-	-	-		
									-	-	-	-	-	-	-	-	-	-	68	69	70	71	72	-	74	75	76	-	-	-	-	-	-	
									77	78	79	80	81	82	83	84	85	86	87	88	89	-	91	92	93	94	95	-	-	-	-	-	-	
GPEC RCPT CONN 103 CKT TOP LVR KEY 5/103	349939001	5-BLACK	IH	PLR	LT	LA	M	R	-	-	-	-	-	-	-	-	-	-	-	-	-	-	-	-	-	-	-	-	-					
									-	-	-	-	-	-	-	-	-	-	-	-	-	-	-	-	-	-	-	-	-	-	-	-		
									-	-	-	-	-	-	-	-	-	-	-	-	-	-	-	-	-	-	-	-	-	-	-	-	-	
									-	-	-	-	-	-	-	-	-	-	-	-	-	-	-	-	-	-	-	-	-	-	-	-	-	
GPEC RCPT CONN 103 CKT TOP LVR KEY 5/57	349939002	5-BLACK	IH	PLR	LT	LA	M	R	-	-	-	4	5	6	7	8	9	10	11	-	13	-	-	-	-	-	-	96	-					
									-	-	-	-	-	-	26	-	28	-	30	31	-	-	-	35	-	-	-	-	-	98	-			
									39	40	-	-	43	44	45	46	47	48	-	-	-	-	-	-	-	-	-	-	57	-	-	-		
									58	-	60	61	62	63	64	65	66	-	68	69	-	71	72	73	74	75	-	-	100	-	-	-		
GPEC RCPT CONN 103 CKT TOP LVR KEY 5/55	349939003	5-BLACK	IH	PLR	LT	LA	M	R	-	-	-	4	5	6	7	8	9	10	11	12	13	-	-	-	-	-	96	-						
									-	21	-	-	-	-	26	-	28	-	30	31	-	-	-	35	-	-	-	-	98	-				
									39	40	-	-	43	44	45	46	47	48	-	-	-	-	-	-	-	-	-	57	-	-	-			
									58	-	60	61	62	63	64	65	66	-	68	69	-	71	72	73	74	-	76	100	-	-	-			
GPEC RCPT CONN 103 CKT TOP LVR KEY 5/47	349939004	5-BLACK	IH	PLR	LT	LA	M	R	-	-	-	4	5	6	7	8	9	10	11	12	13	-	-	-	-	-	96	-						
									20	21	-	-	-	-	26	-	28	-	30	31	-	-	-	35	-	-	-	-	98	-				
									39	40	-	-	43	44	45	46	47	48	-	-	-	-	-	-	-	55	56	57	-	-	-	-		
									58	59	60	61	62	63	64	65	66	-	68	-	-	71	72	73	74	75	-	100	-	-	-			
GPEC RCPT CONN 103 CKT TOP LVR KEY 5/48	349939005	5-BLACK	IH	PLR	LT	LA	M	R	-	-	-	4	5	6	7	8	9	10	11	12	13	-	-	-	-	-	96	-						
									20	21	-	-	-	-	26	-	28	-	30	31	-	-	-	35	-	-	-	-	98	-				
									39	40	-	-	43	44	45	46	47	48	-	-	-	-	-	-	-	55	56	57	-	-	-	-		
									58	-	60	61	62	63	64	65	66	-	68	-	-	71	72	73	74	75	-	100	-	-	-			
GPEC RCPT CONN 103 CKT TOP LVR KEY 5/55	349939006	5-BLACK	IH	PLR	LT	LA	M	R	-	-	-	4	5	6	7	8	9	10	11	12	13	-	-	-	-	-	96	-						
									-	21	-	-	-	-	26	-	28	-	30	31	-	-	-	35	-	-	-	-	98	-				
									39	40	-	-	43	44	45	46	47	48	-	-	-	-	-	-	-	-	57	-	-	-	-			
									58	-	60	61	62	63	64	65	66	-	68	69	-	71	72	73	74	75	-	100	-	-	-			
GPEC RCPT CONN 103 CKT TOP LVR KEY 5/56	349939007	5-BLACK	IH	PLR	LT	LA	M	R	-	-	-	4	5	6	7	8	9	10	11	12	13	-	-	-	-	-	96	-						
									-	21	-	-	-	-	26	-	28	-	30	31	-	-	-	35	-	-	-	-	98	-				
									39	40	-	-	43	44	45	46	47	48	-	-	-	-	-	-	-	-	57	-	-	-	-			
									58	-	60	61	62	63	64	65	-	-	68	69	-	71	72	73	74	75	-	100	-	-	-			
GPEC RCPT CONN 103 CKT TOP LVR KEY 5/66	349938026	5-BLACK	IH	PLR	LE	LA	M	R	77	78	-	-	-	-	-	-	-	-	-	-	-	-	-	90	91	-	-	-	-	102	-			

ASSEMBLY DESCRIPTION	ASSEMBLY PART NUMBER	COMPONENT							BLOCKED TERMINALS																				STATUS	COMMENTS					
		THE PRESENCE OF AN ABBREVIATION INDICATES THE PRESENCE OF THAT COMPONENT.							CAVITY WITH A NUMBER INDICATES BLOCKED TERMINAL POSITION CAVITY WITHOUT A NUMBER INDICATES OPEN TERMINAL POSITION																										
		OUTER HOUSING KEY/COLOR	INNER HOUSING	PLR	LEVER	LEVER ARM (x/2)	MAT SEAL	RING SEAL																											
GPEC RCPT CONN 103 CKT TOP LVR KEY 5/49	349939008	5-BLACK	IH	PLR	LT	LA	M	R	-	-	-	4	5	6	7	8	9	10	11	12	13	-	-	-	-	-	-	96	-						
									20	21	-	-	-	-	26	-	28	-	30	31	-	-	-	35	-	-	-	-	-	-	98	-			
									39	40	-	-	43	44	45	46	47	48	-	-	-	-	-	-	55	56	57	-	-	-	-	-	100	-	
									58	-	60	61	62	63	64	65	-	-	68	-	-	71	72	73	74	75	-	-	-	-	-	-	102	-	
									77	78	79	-	-	-	-	-	-	-	86	87	88	-	-	91	-	93	-	95	-	-	-	-	-	-	-
GPEC RCPT CONN 103 CKT TOP LVR KEY 5/58	349939009	5-BLACK	IH	PLR	LT	LA	M	R	-	-	-	4	5	6	7	8	9	10	11	-	13	-	-	-	-	-	-	96	-						
									-	-	-	-	-	-	26	-	28	-	30	31	-	-	-	35	-	-	-	-	-	-	98	-			
									39	40	-	-	43	44	45	46	47	48	-	-	-	-	-	-	-	-	57	-	-	-	-	-	-	-	
									58	-	60	61	62	63	64	65	-	-	68	69	-	71	72	73	74	75	-	-	-	-	-	-	100	-	
									77	78	-	-	-	-	-	-	-	-	-	-	-	-	-	90	91	-	-	-	-	-	-	-	-	102	-
GPEC RCPT CONN 103 CKT TOP LVR KEY 5/103	349939010	5-BLACK	IH	PLR	LT	LA	M	R	-	-	-	-	-	-	-	-	-	-	-	-	-	-	-	-	-	-	-	-	-	-					
									-	-	-	-	-	-	-	-	-	-	-	-	-	-	-	-	-	-	-	-	-	-	-	-	-	-	
									-	-	-	-	-	-	-	-	-	-	-	-	-	-	-	-	-	-	-	-	-	-	-	-	-	-	-
									-	-	-	-	-	-	-	-	-	-	-	-	-	-	-	-	-	-	-	-	-	-	-	-	-	-	-
									-	-	-	-	-	-	-	-	-	-	-	-	-	-	-	-	-	-	-	-	-	-	-	-	-	-	-
GPEC RCPT CONN 103 CKT TOP LVR KEY 5/49	349939011	5-BLACK	IH	PLR	LT	LA	M	R	-	-	-	4	5	6	7	8	9	10	11	12	13	-	-	-	-	-	-	96	-						
									-	21	-	23	-	-	26	-	28	-	-	31	-	-	-	35	-	-	-	-	-	-	-	98	-		
									39	40	-	-	43	44	45	46	47	48	-	-	-	-	-	-	-	-	57	-	-	-	-	-	-	-	
									58	59	60	61	62	63	64	65	-	-	68	69	-	71	-	73	74	-	-	-	-	-	-	-	100	-	
									77	78	-	80	81	82	83	84	85	-	87	88	-	90	91	-	-	-	-	-	-	-	-	-	-	102	-
GPEC RCPT CONN 103 CKT TOP LVR KEY 5/40	349939012	5-BLACK	IH	PLR	LT	LA	M	R	1	2	3	4	5	6	-	-	9	-	11	12	-	-	15	16	-	-	19	96	-						
									20	21	-	-	-	25	26	27	-	-	30	31	32	33	34	-	-	37	-	-	-	-	-	98	-		
									39	-	-	42	43	44	45	-	-	48	49	-	-	-	-	54	55	-	57	-	-	-	-	-	-	-	
									58	-	60	61	62	63	64	-	-	67	68	69	-	71	72	-	74	75	76	-	-	-	-	-	-	-	-
									77	-	-	80	81	82	83	84	85	86	-	88	89	-	-	92	93	94	95	-	-	-	-	-	-	-	-