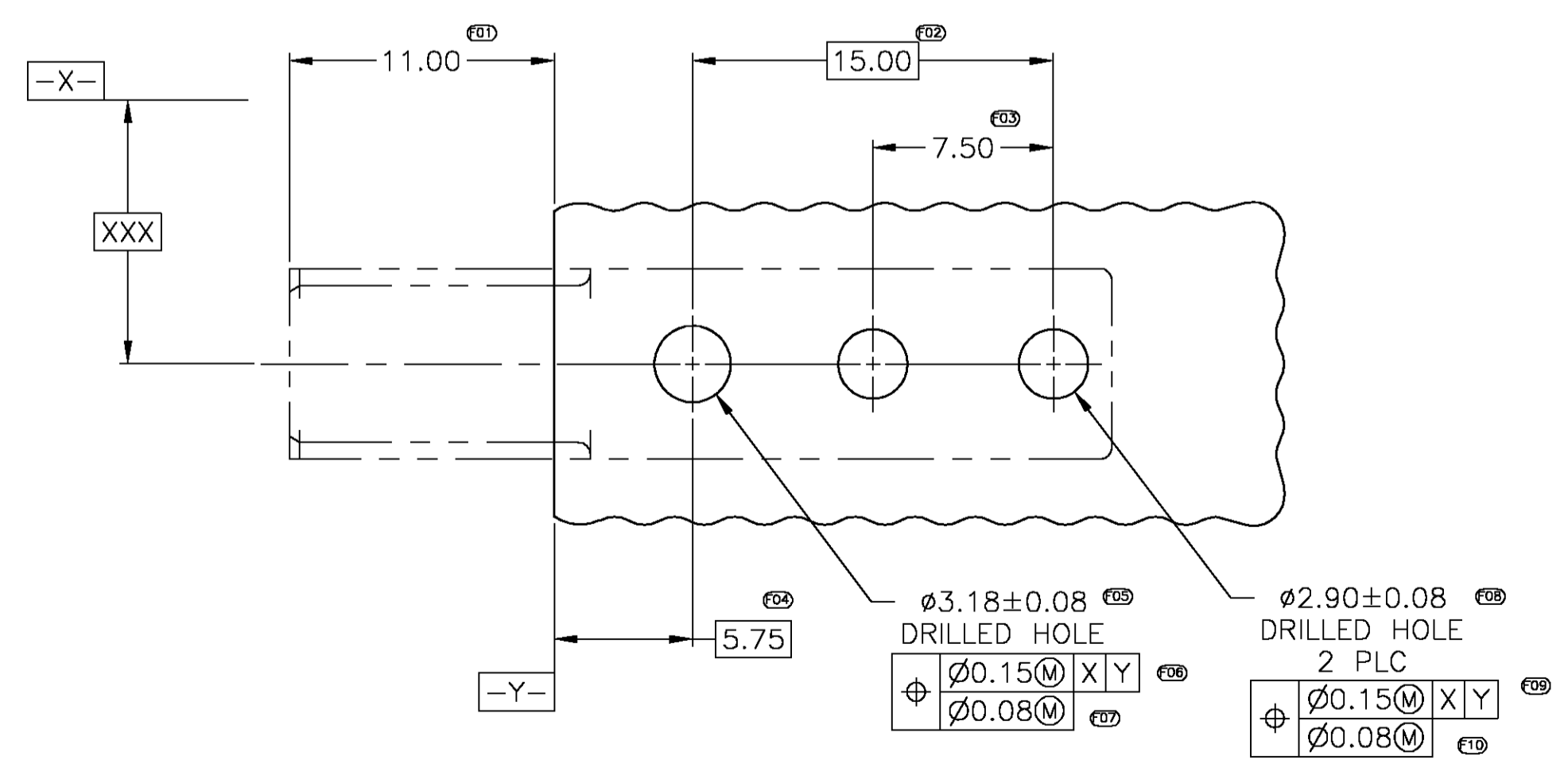
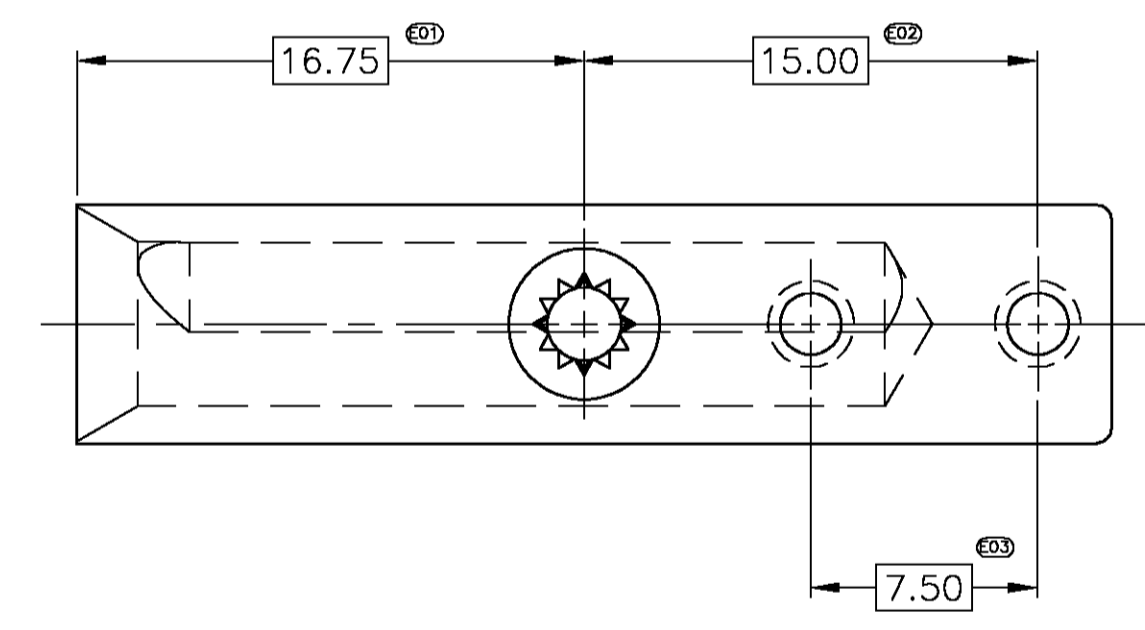
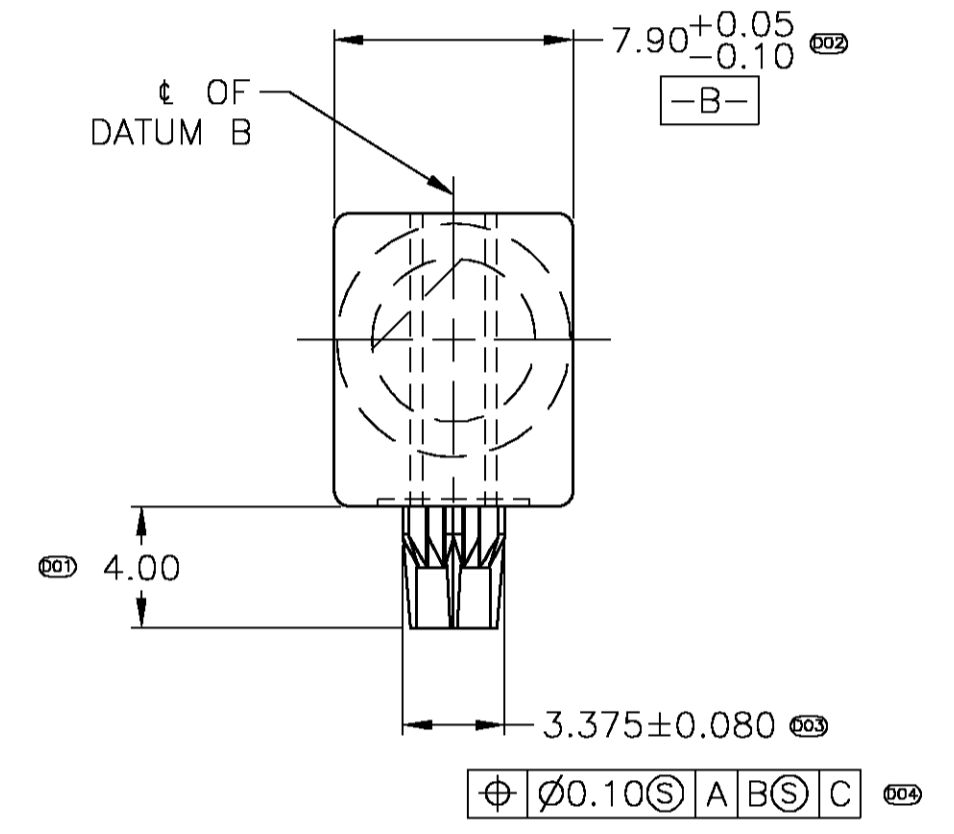
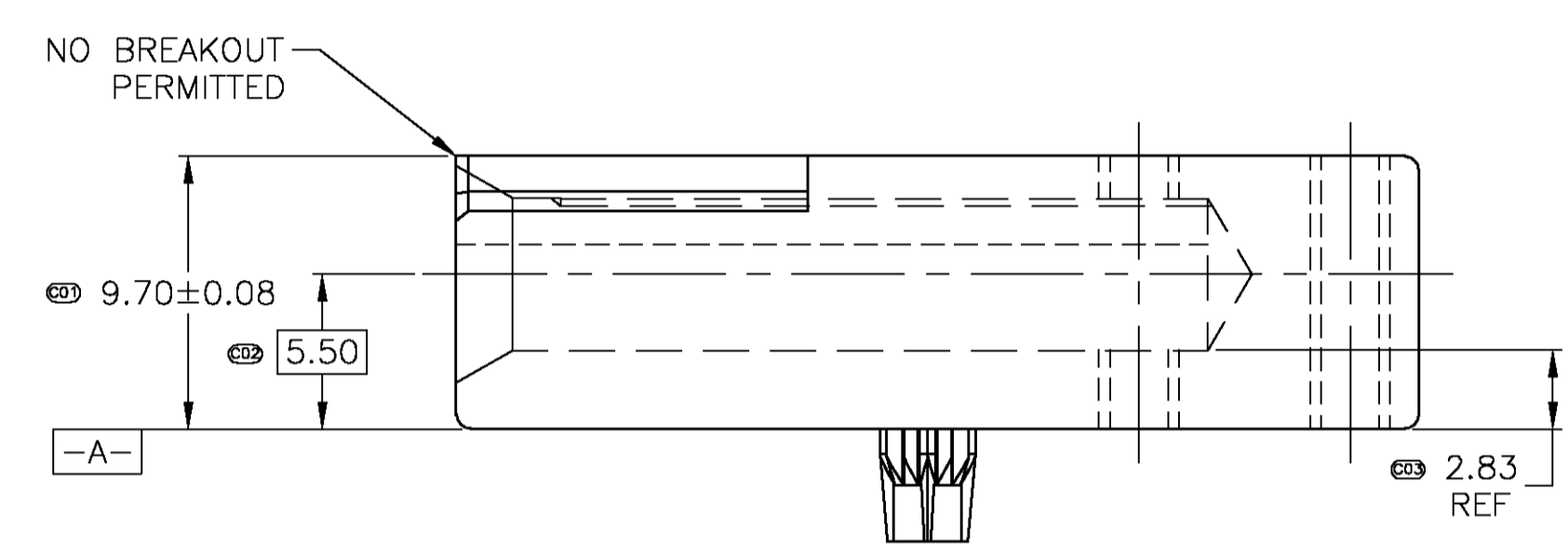
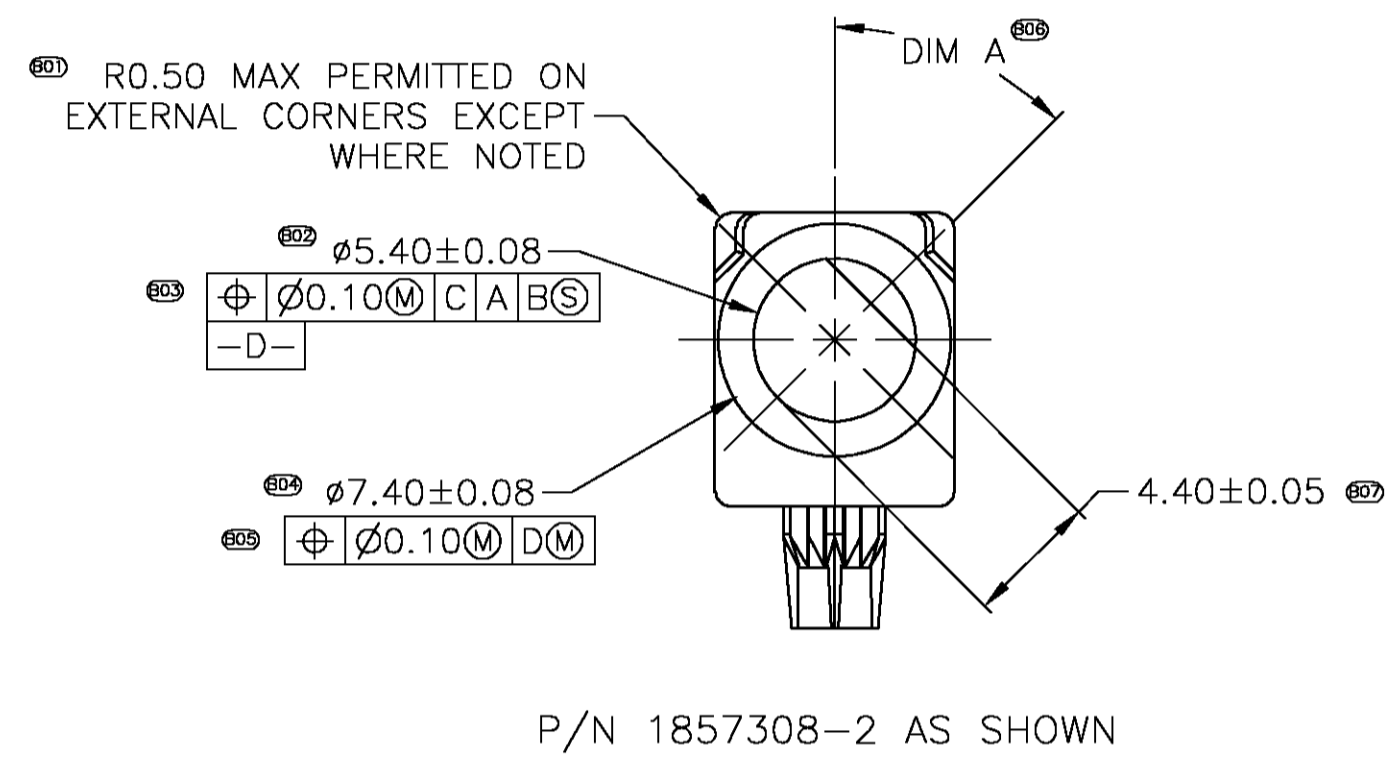
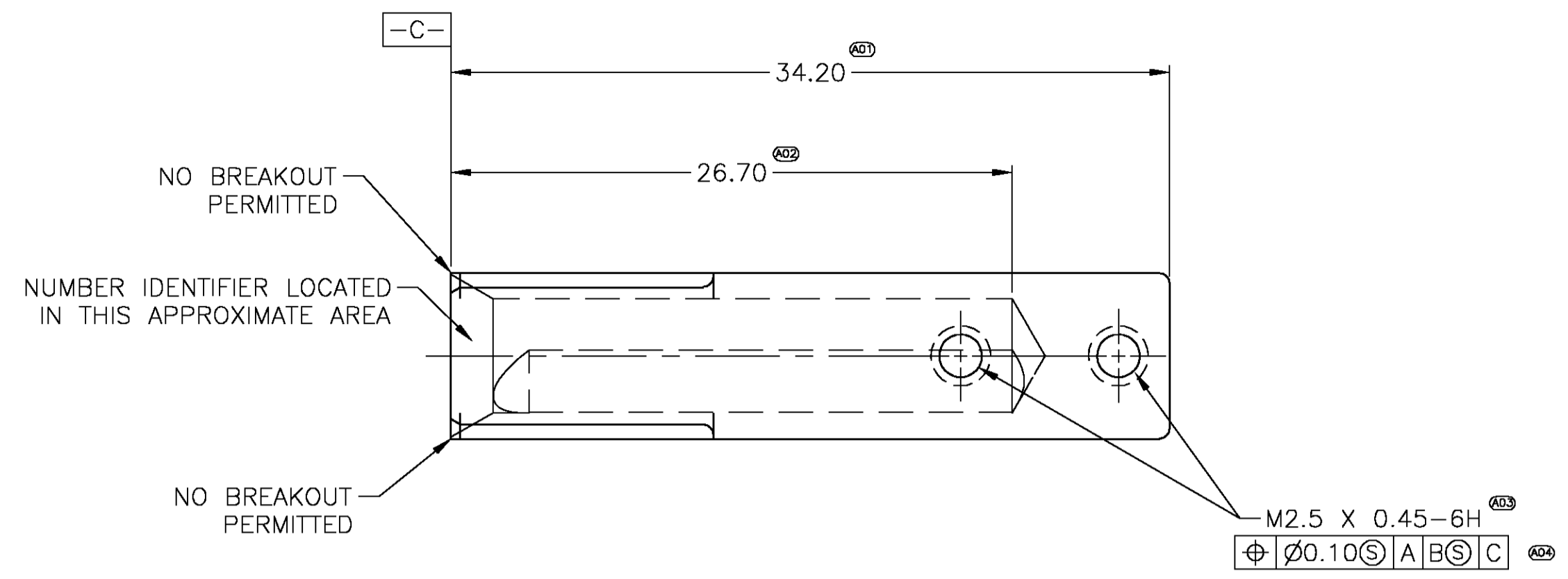


NOTES:
 1 MATERIAL: ZINC ALLOY DIE CASTING.
 2 SURFACE FINISH: CHROMATE CONVERSION COATING.
 (RoHS COMPATIBLE)



FOOT PRINT

1857308-2 AS SHOWN.

KEYING POSN	DIM A	PART NUMBER
8	315'	1857308-8
7	270'	1857308-7
6	225'	1857308-6
5	180'	1857308-5
4	135'	1857308-4
3	90'	1857308-3
2	45'	1857308-2
1	0'	1857308-1

THIS DRAWING IS A CONTROLLED DOCUMENT.		DIN J.V.D.HEUWEN 13 SEP 2005	Tyco Electronics, Nederland BV 's-Hertogenbosch, Netherlands
DIMENSIONS: mm		GIK J.TUIN 13 SEP 2005	
TOLERANCES UNLESS OTHERWISE SPECIFIED:		APVD J.BROEKSTEEG 13 SEP 2005	NAME
0 PLC ± -	1 PLC ± -	PRODUCT SPEC	MODULE, FEMALE, UNIVERSAL POWER MODULE, M2,5
2 PLC ± 0.13	3 PLC ± -	APPLICATION SPEC	SIZE CAGE CODE DRAWING NO
4 PLC ± -	ANGLES ± -	RESTRICTED TO	A1 00779 C=1857308
MATERIAL 1	FINISH 2	WEIGHT	CUSTOMER DRAWING
SCALE 4:1		SHEET 1 OF 1	REV A