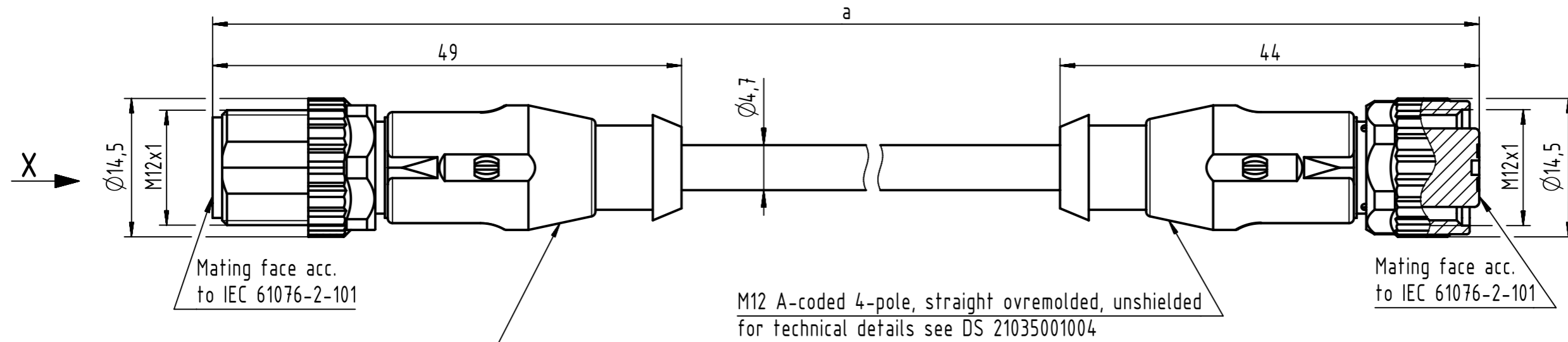


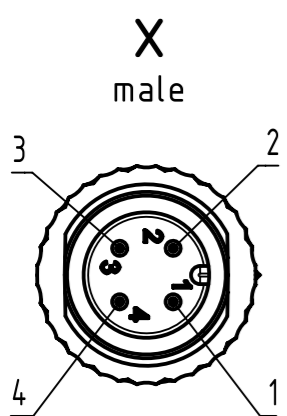
Connector Location A

Connector Location B



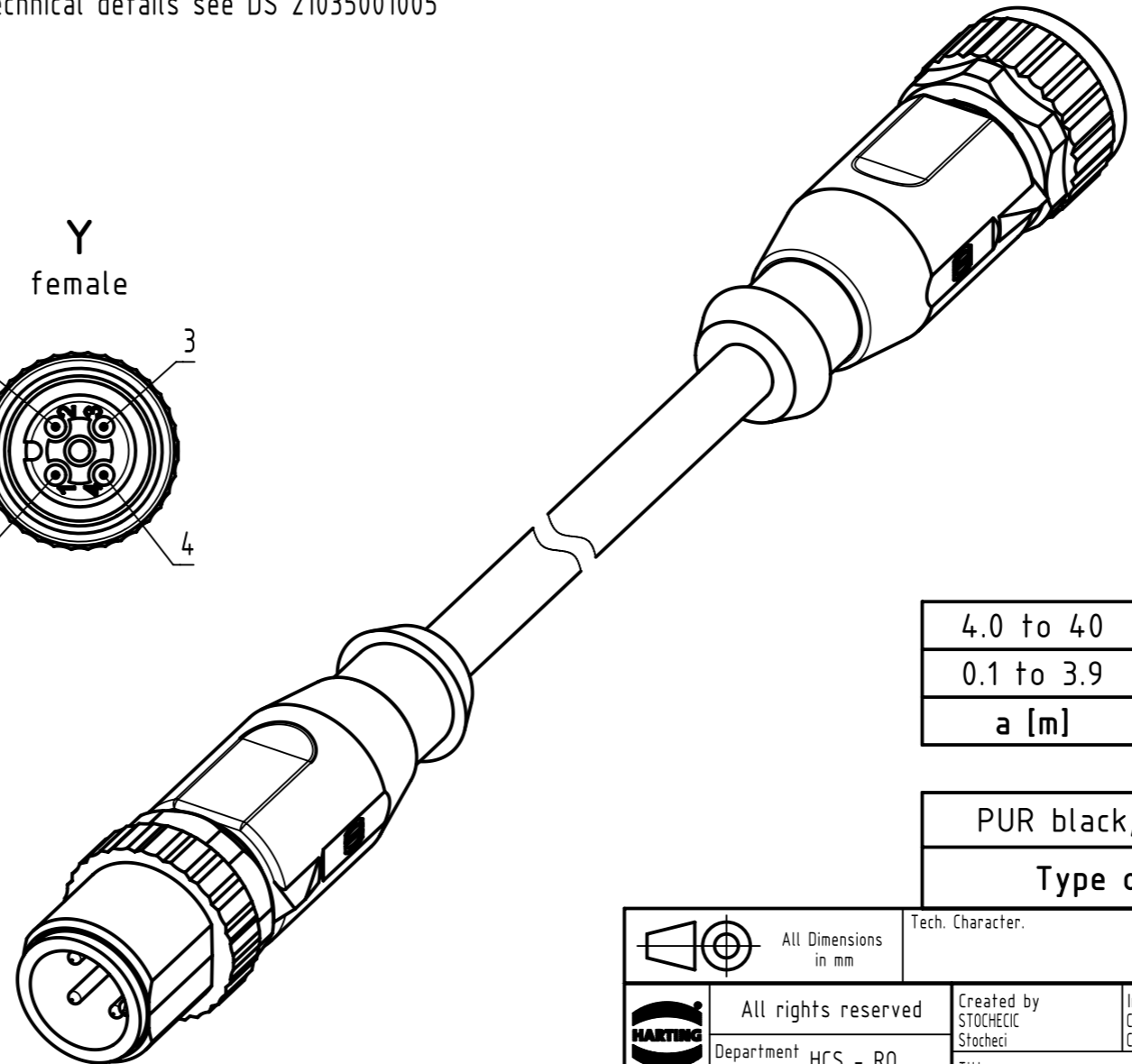
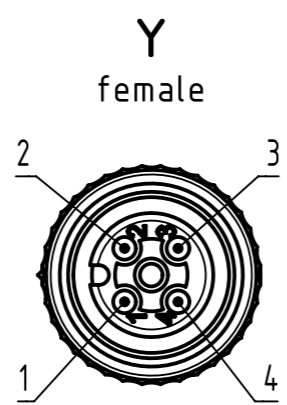
M12 A-coded 4-pole, straight overmolded, unshielded
for technical details see DS 21035001004

M12 A-coded 4-pole, straight overmolded, unshielded
for technical details see DS 21035001005



Loading-Plan

1	brown	1
2	white	2
3	blue	3
4	black	4



length in "1m" step	40	XXX=400
	39	XXX=390
	.	.
	12	XXX=120
	11	XXX=110
length in "0.1m" step	10	XXX=100
	9.9	XXX=099
	9.8	XXX=098
	.	.
	0.4	XXX=004
	0.3	XXX=003
	0.2	XXX=002
0.1	XXX=001	
Step	a [m]	XXX

4.0 to 40	±1%
0.1 to 3.9	+0.04
a [m]	Tolerance

PUR black, 4x0.34mm ²	21348485491XXX
Type of cable	Part no.

- Protection level: IP65/67
- Temperature range: -25°C ... +80°C

All rights reserved Department HCS - RO HARTING Customised Solutions D-32339 Espelkamp	Tech. Character. All Dimensions in mm	Free size tol. According to production drawing	Date 2018-12-14	State Final Release
	Created by STOCEVIC Stoceci	Inspected by COSTEA Costea	Standardisation MUNTEANV Muntean	Doc-Key / ECM-Nr. 100806212/UGD/009/A 500000144869
Title M12 Cable Assembly A-cod st/st m/f		Type TB	Number 21348485491XXX	