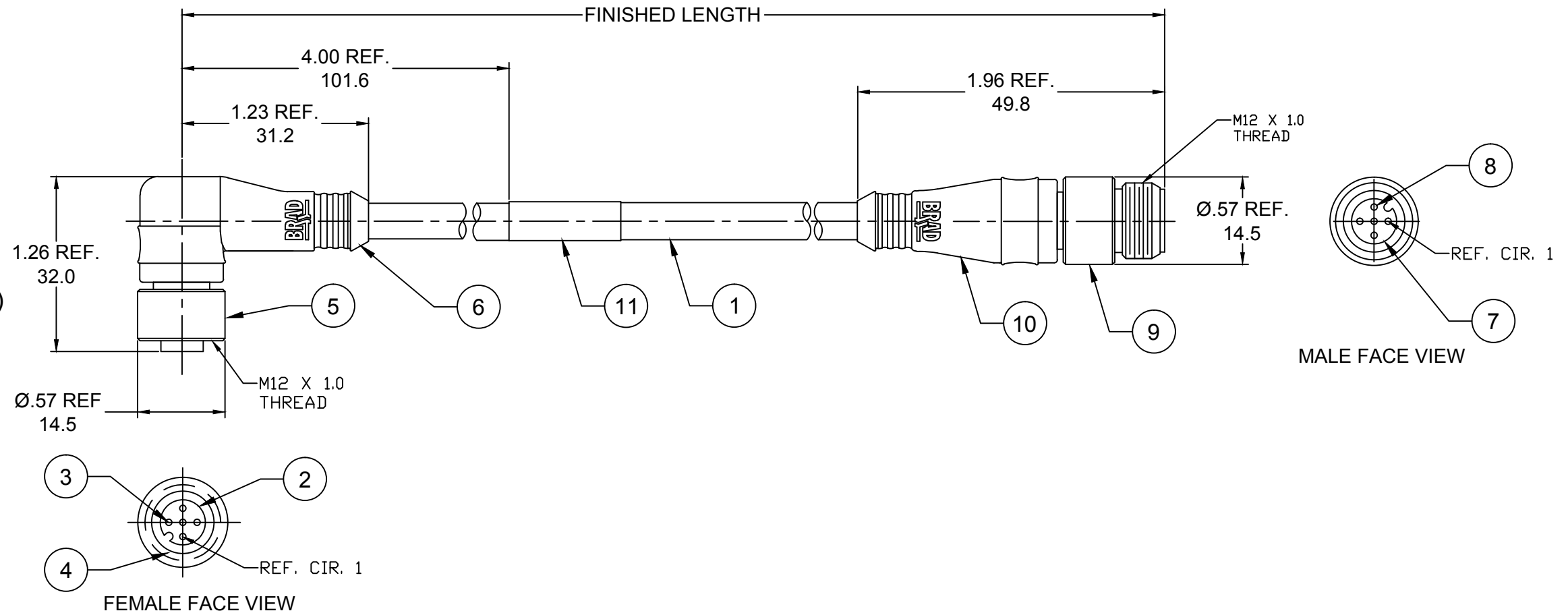


- NOTES:**
1. MATERIAL: AS NOTED
  2. FINISH: AS NOTED
  3. ELECTRICAL:  
VOLTAGE: 250V  
CURRENT: 4A
  4. TEMP RATING: -20° TO +80°C
  5. PROTECTION: IP67 (WHEN MATED)



ITEM	DESCRIPTION	MATERIAL	FINISH
11	WRAP LABEL	VINYL	BLACK/YELLOW
10	OVERMOLD (MALE)	PUR	YELLOW
9	COUPLING NUT (MALE)	BRASS	TEFLON/NICKEL
8	CONTACT PIN	COPPER ALLOY	GOLD PLATED
7	MALE INSERT	PUR	BLACK
6	OVERMOLD (90D FEMALE)	PUR	YELLOW
5	COUPLING NUT (FEMALE)	BRASS	TEFLON/NICKEL
4	O-RING	VITON	RED
3	CONTACT SOCKET	COPPER ALLOY	GOLD PLATED
2	FEMALE INSERT	PUR	BLACK
1	CABLE, 18 AWG, 4 COND	PUR JACKET	YELLOW
ITEM	DESCRIPTION	MATERIAL	FINISH

RELEASED EC NO: IPG2017-0018 DRWN: RSTONE 2016/07/12 CHKD: K COX APPR: TWOLDEGE 2016/08/19	DESCRIPTION REV A	QUALITY SYMBOLS ▽=0 ◻=0	GENERAL TOLERANCES (UNLESS SPECIFIED) mm INCH 4 PLACES ±--- ±--- 3 PLACES ±--- ±--- 2 PLACES ±0.13 ±.01 1 PLACE ±0.3 ±--- ANGULAR ±2°	DIMENSION STYLE IN/MM	SCALE ---	DESIGN UNITS INCH	THIRD ANGLE PROJECTION
		DRAWN BY RSTONE	DATE 2016/07/12	TITLE <b>M12 CABLE ASSY          MALE STR / FEMALE 90D          18AWG PUR HI-FLEX</b>			
		CHECKED BY K COX	DATE ---	MOLEX INCORPORATED			
		APPROVED BY TWOLDEGE	DATE 2016/08/19	MATERIAL NO. -	DOCUMENT NO. <b>SD-120066-063</b>	SHEET NO. <b>1 OF 1</b>	
DRAFT WHERE APPLICABLE MUST REMAIN WITHIN DIMENSIONS		SIZE <b>B</b>	THIS DRAWING CONTAINS INFORMATION THAT IS PROPRIETARY TO MOLEX INCORPORATED AND SHOULD NOT BE USED WITHOUT WRITTEN PERMISSION				