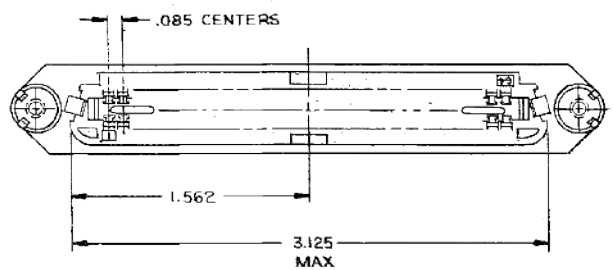
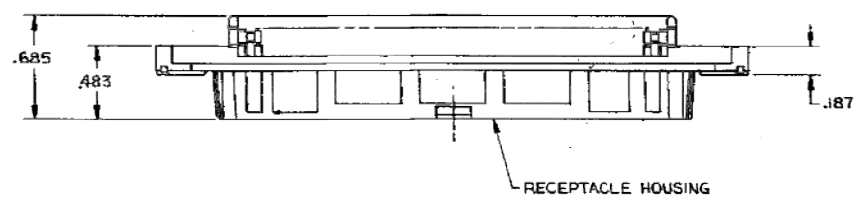
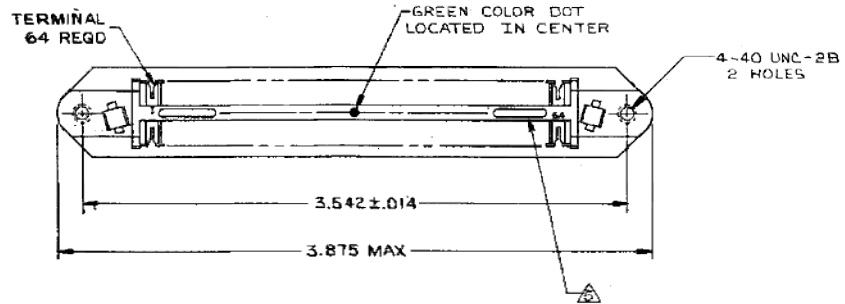


THIS DRAWING IS UNPUBLISHED. RELEASED FOR PUBLICATION
 © COPYRIGHT BY TYCO ELECTRONICS CORPORATION. ALL RIGHTS RESERVED.

LOC		DIST		REVISIONS			
#	LTR	DESCRIPTION	DATE	DWN	APVD		
GP	00	H	REVISED PER ECO-08-007327	27JAN2009	ZMR/WLM		



1. THE CONTACT SURFACES OF THE TERMINALS ARE COATED WITH LUBRICANT.
2. ALL DIMENSIONS SHOWN ARE FOR REFERENCE ONLY UNLESS OTHERWISE SPECIFIED.
3. MATERIAL:
 HOUSING - THERMOPLASTIC (BLACK)
 TERMINALS - HIGH STRENGTH COPPER ALLOY PLATED WITH EITHER .000030 MIN GOLD OR GOLD FLASH OVER PALLADIUM NICKEL .000030 MIN TOTAL, ON CONTACT MATING SURFACE. .000050 MIN NICKEL UNDERPLATE OVER ENTIRE TERMINAL.
4. WIRE SIZE: 22 AWG SOLID OR 22 AWG 7 STRANDS OF COPPER CONDUCTORS. MAX INSULATION DIAMETER OF .045 IS ACCEPTABLE FOR MOST APPLICATIONS.
5. CORING MAY OR MAY NOT APPEAR AND IS AT THE DISCRETION OF TYCO ELECTRONICS.

AS SHOWN	552307-1
DESCRIPTION	PART NO

THIS DRAWING IS A CONTROLLED DOCUMENT.		DWN: C. BOWMAN 2-11-80	Tyco Electronics Corporation Harrisburg, PA 17105-3608
		CHK: V.E. SLACK 2-12-80	
DIMENSIONS: INCHES		APVD: B.G. WARD 2-12-80	NAME
TOLERANCES UNLESS OTHERWISE SPECIFIED:		0 PLC ± .005	PRODUCT SPEC
1 PLC ± .005		1 PLC ± .005	APPLICATION SPEC
2 PLC ± .005		2 PLC ± .005	WEIGHT
3 PLC ± .005		3 PLC ± .005	SIZE CAGE CODE DRAWING NO
4 PLC ± .005		4 PLC ± .005	RESTRICTED TO
ANGLES		ANGLES	A2 00779 C=552307
FINISH		FINISH	CUSTOMER DRAWING
			SCALE NTS SHEET 1 OF 1 REV H

552307