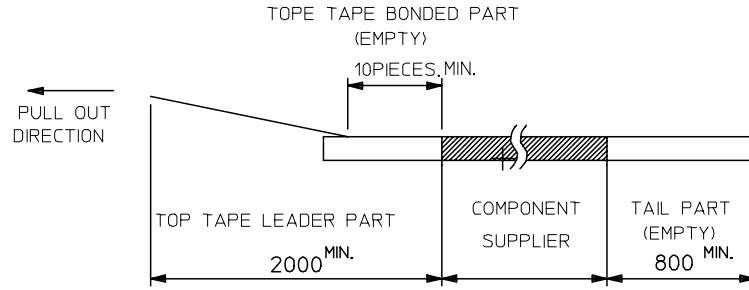
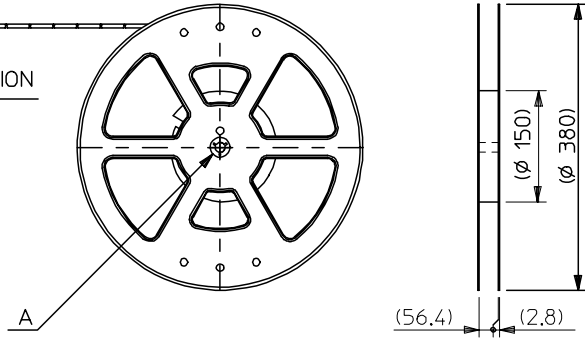


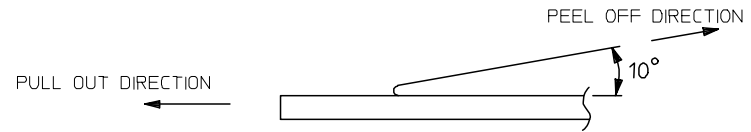
NOTES

1. IN THE PACKAGE PART NUMBER 500161-4782/4792 DETAILED DIMENSIONS, SEE SALES DRAWING FOR CONNECTOR.
2. NUMBER OF CONNECTORS:160 PIECES/REEL.
3. LEAD TAPE LENGTH

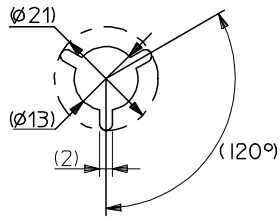
引き出し方向
PULL OUT DIRECTION



4. PEELING OFF FORCE OF TOP TAPE (PELLING DIRECTION AS SHOWN IN FOLLOWING FIGURE.)
0.1-1.3N (10.2-130gf)
THIS REQUIREMENT SHOULD BE APPLIED AT SHIPMENT.
(PEEL OFF SHOULD NOT BE ALLOWED.DURING TRANSPORTATION.)



5. MATERIAL
CARRIER TAPE:THERMAL PLASTICS
TOP TAPE:PET,PE,PEF
REEL:POLYSTYRENE
6. PRODUCT SPECIFICATION REFER
TO PS-51248-020

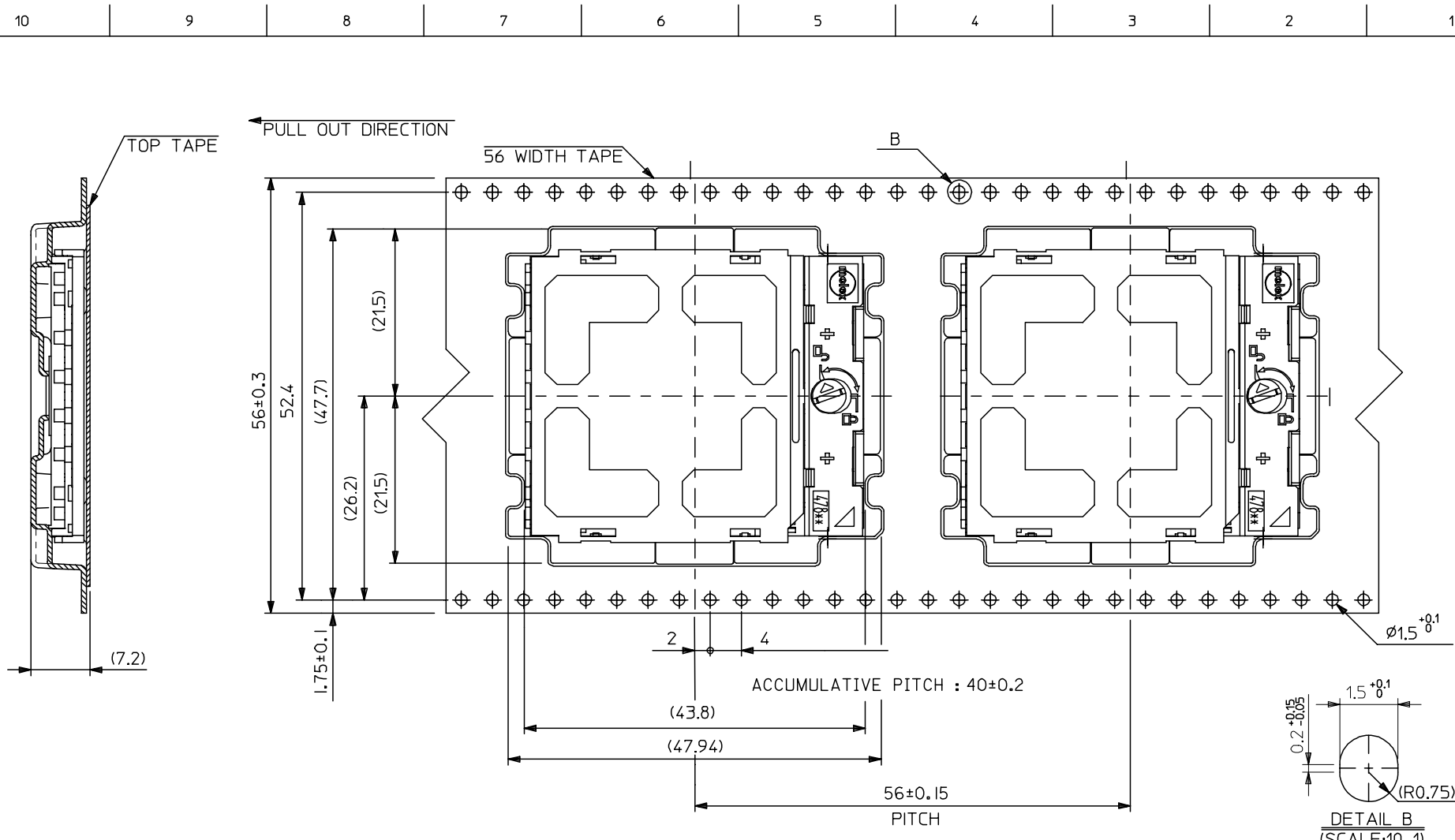


DETAIL A

LEAD FREE

500210-4786	500210-4787	478
500161-4786	500161-4787	478
CONNECTOR NO.	MATERIAL NO.	CIRCUIT

NEW RELEASE EC NO: SH2004-0192 DRAWN: AYIN CHKD: JCHIANG APPR: YIYAP	2004/10/13 2004/10/14 2004/10/18	DESCRIPTION REV	QUALITY SYMBOLS	GENERAL TOLERANCES (UNLESS SPECIFIED) 4 PLACES ± --- ± --- 3 PLACES ± --- ± --- 2 PLACES ± 0.20 ± --- 1 PLACE ± 0.25 ± --- ANGULAR ± 2 °	DIMENSION STYLE	SCALE	DESIGN UNITS	THIRD ANGLE PROJECTION
			▽=0 ▽=0		MM ONLY	1:1	METRIC	
			DRAWN BY AYIN CHECKED BY JCHIANG APPROVED BY YIYAP		DATE	DATE	DATE	
			DATE 2004/07/20 2004/07/20 2004/07/20		TITLE	TITLE	TITLE	
DRAFT WHERE APPLICABLE MUST REMAIN WITHIN DIMENSIONS				MATERIAL NO. SEE CHART	DOCUMENT NO. SD-500161-004	MOLEX INCORPORATED		SHEET NO. 1 OF 2
THIS DRAWING CONTAINS INFORMATION THAT IS PROPRIETARY TO MOLEX INCORPORATED AND SHOULD NOT BE USED WITHOUT WRITTEN PERMISSION								



NEW RELEASE EC NO: SH2004-0192 DRAWN: AYIN CHKD: JCHIANG APPR: YIYAP	2004/10/13 2004/10/14 2004/10/18	DESCRIPTION REV	QUALITY SYMBOLS	GENERAL TOLERANCES (UNLESS SPECIFIED)	DIMENSION STYLE	SCALE	DESIGN UNITS	THIRD ANGLE PROJECTION
			$\nabla=0$ $\sphericalangle=0$	mm INCH 4 PLACES ± --- ± --- 3 PLACES ± --- ± --- 2 PLACES ± 0.20 ± --- 1 PLACE ± 0.25 ± --- ANGULAR ± 2 °	MM ONLY	1:1	METRIC	\odot \square
			DRAFT WHERE APPLICABLE MUST REMAIN WITHIN DIMENSIONS	DRAWN BY DATE AYIN 2004/07/20 CHECKED BY DATE JCHIANG 2004/07/20 APPROVED BY DATE YIYAP 2004/07/20	TITLE			MPGA478 SOCKET LEAD FREE TYPE TAPING PACKAGE
			MATERIAL NO. SEE CHART	DOCUMENT NO. SD-500161-004	SHEET NO. 2 OF 2			