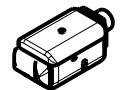
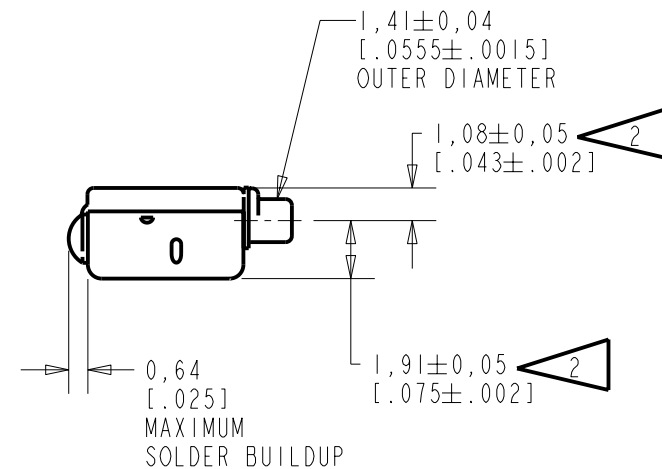
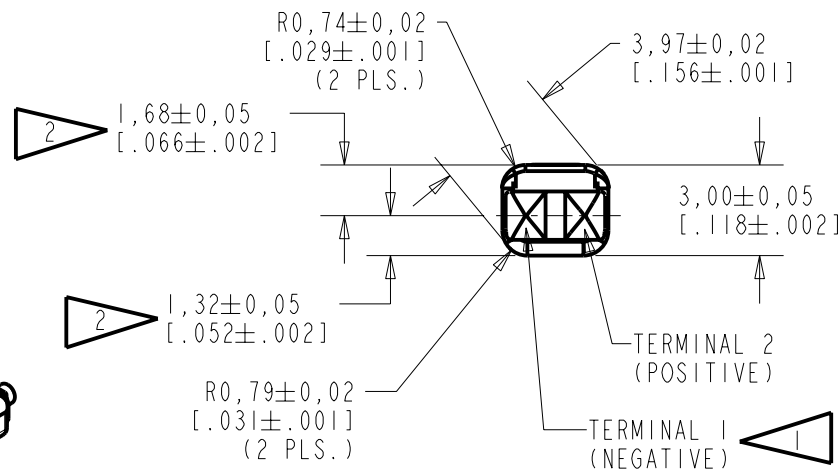
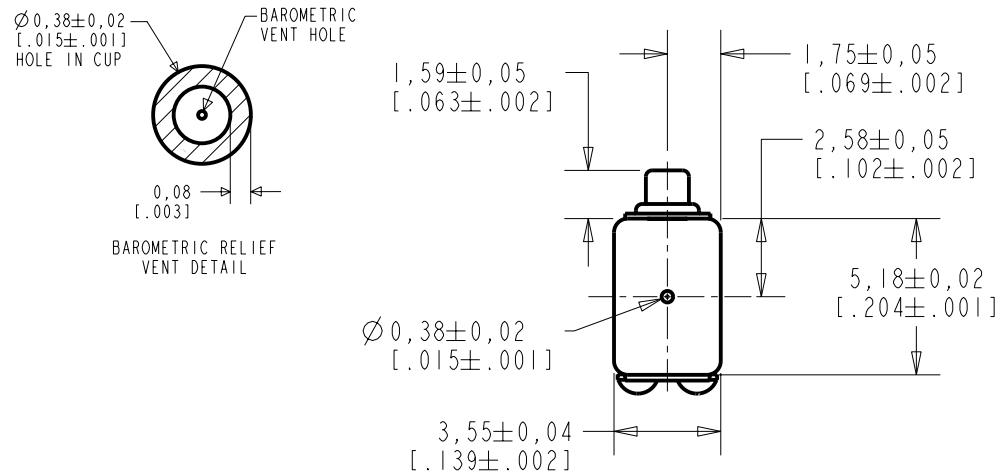


FC-30001-000
SHT 1.1

NOTES:

- 1 A POSITIVE GOING VOLTAGE AT TERMINAL 2, RELATIVE TO TERMINAL 1, CAUSES A DECREASE IN PRESSURE AT THE SOUND OUTLET.
- 2 LOCATED FROM TWO SURFACES FOR CUSTOMER CONVENIENCE. ONLY APPLICABLE FROM ONE SURFACE, NOT TO BE USED TOGETHER.



SCALE 2:1

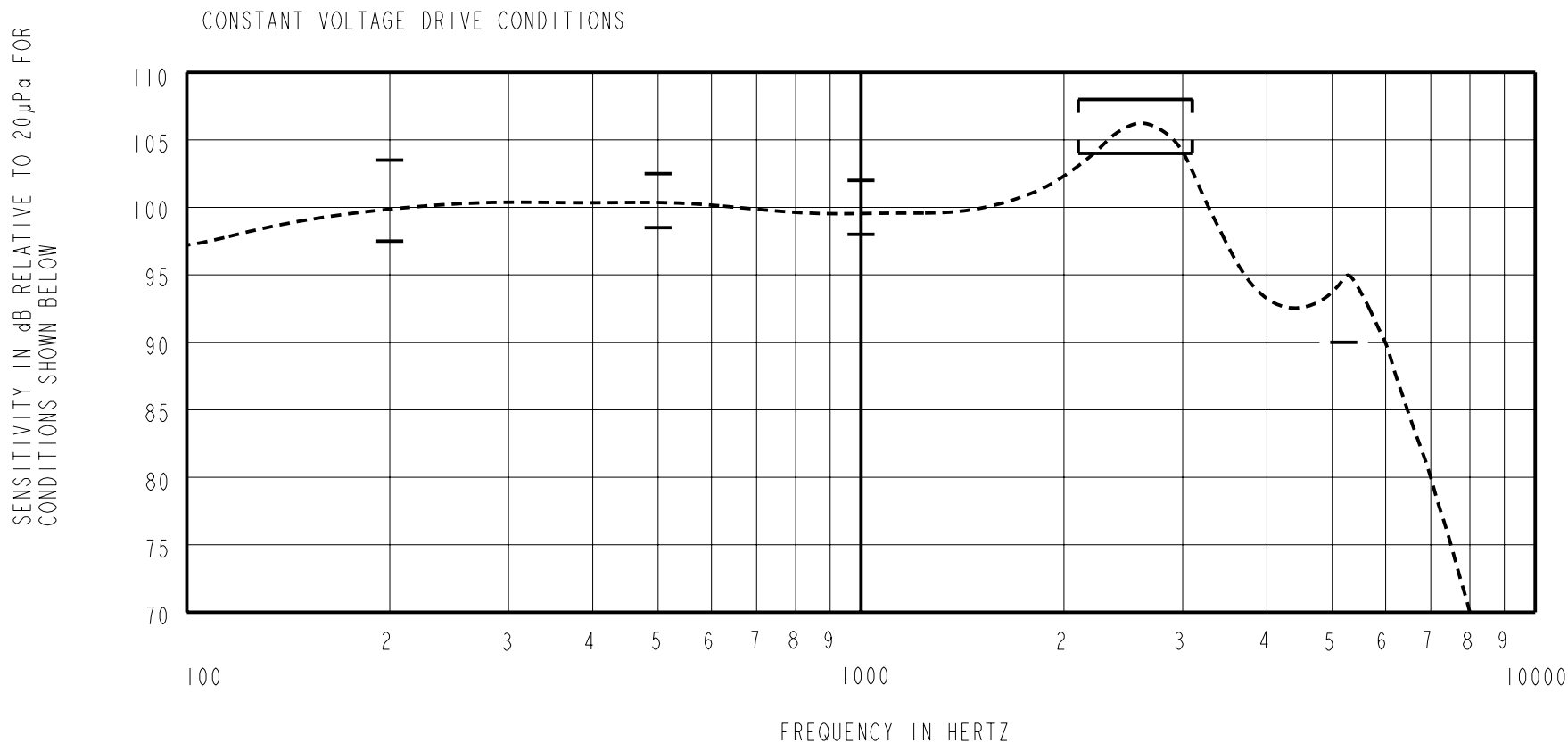
NOMINAL WEIGHT
.23 GRAMS

DIMENSIONS IN MILLIMETERS [INCHES]

KNOWLES ELECTRONICS
ITASCA, ILLINOIS U.S.A.

Revision	C.O. #	Implementation Date	RELEASE LEVEL	REVISION
			Released	A
A	CI0104104	4-7-06		
SCALE: 4:1				
TITLE: RECEIVER			DR. BY DATE	
OUTLINE DRAWING			CRG 4-7-06	
FC-30001-000			CK. BY DATE	
SHT 1.1			GJP 4-18-06	
			APP. BY DATE	
			GJP 4-18-06	

THE FC-30001-000 IS AN EXTERNALLY VENTED FC-26170-000 RECEIVER.



ACOUSTICAL

SENSITIVITY
 DEVICE WILL PRODUCE THE SPL LISTED BELOW UNDER TEST CONDITIONS DESCRIBED IN TABLE 3.
 NOMINAL SENSITIVITY AT 1kHz IS dB RELATIVE TO 20µPa. ALL OTHER VALUES
 IN dB RELATIVE TO THE SENSITIVITY AT 1kHz.

FREQUENCY (Hz)	MINIMUM	NOMINAL	MAXIMUM
200	-2.5	+0.5	+3.5
500	-1.5	+0.5	+2.5
1000	-2.0	100.0	+2.0
2100 - 3100	+4.0	+6.0	+8.0
5200	-10.0	---	---

PORT LOCATION: 12C

TABLE 1

TOTAL HARMONIC DISTORTION
 DEVICE WILL NOT EXCEED TOTAL HARMONIC DISTORTION LEVELS LISTED BELOW.

FREQUENCY (Hz)	AC DRIVE (V rms)	DC BIAS (V)	LIMIT (%)
500	0.98	0	10
870	0.49	0	5
1300	0.49	0	5

TABLE 2

TEST CONDITIONS

NOMINAL SOURCE VOLTAGE	0.49 V rms, 0 mA DC BIAS
SOURCE IMPEDANCE	<1 Ohm
TUBING	10mm [.394"] LONG, 1mm [.039"] I.D.
COUPLER CAVITY	2 CM ³ , SIMULATED ANSI S3.7 TYPE HA-3 (IEC 126)

TABLE 3

ELECTRICAL

DC RESISTANCE	540 Ohms ± 10%
IMPEDANCE @ 500 Hz	640 Ohms ± 15%
IMPEDANCE @ 1kHz	845 Ohms ± 15%

TABLE 4

ISOLATION: CASE WILL BE ELECTRICALLY ISOLATED FROM THE COIL CIRCUIT.

TEMPERATURE: OPERATING: SENSITIVITY WILL NOT VARY MORE THAN
 +1/-3 dB FROM -17°C TO 63°C

STORAGE: -40°C TO 63°C

Revision	C.O. #	Implementation Date	RELEASE LEVEL	REVISION
			Released	A
A	C10104104	4-7-06		
WHEN TEST LIMITS ARE USED TO ESTABLISH INCOMING INSPECTION ACCEPTANCE/REJECTION CRITERIA, CORRELATION OF TEST EQUIPMENT WITH KNOWLES IS ALSO REQUIRED FOR ELIMINATION OF EQUIPMENT AND TEST METHOD VARIATION				
TITLE: RECEIVER			FC-30001-000	DR. BY DATE
PERFORMANCE SPECIFICATION			SHT 2.1	CRG 4-7-06
				CK. BY DATE
				GJP 4-18-06
				APP. BY DATE
				GJP 4-18-06

KNOWLES ELECTRONICS
 ITASCA, ILLINOIS U.S.A.