



Specifications

Electrical Ratings	50mA @ 50VDC	Dielectric Strength	250Vrms min
Electrical Life	200,000 cycles typical	Insulation Resistance	≥ 100MΩ min
Contact Resistance	≤ 50mΩ initial	Operating Temperature	-40°C to +85°C
Actuation Force	160gF ± 50gF 260gF ± 50gF	Storage Temperature	-40°C to +85°C
Actuation Travel	.15 ± 0.05mm		

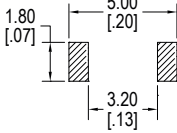
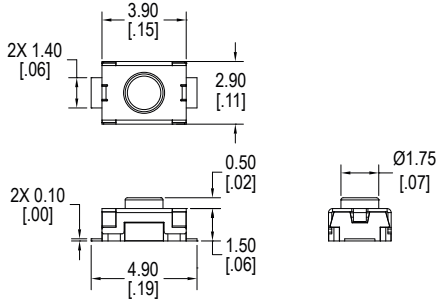
Materials

Actuator	4/6 Nylon
Housing	4/6 Nylon
Cover	Stainless Steel
Contacts	Stainless Steel, Silver Plated
Terminals	Brass, Silver Plated

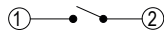
Ordering Information

1. Series	CS1213	A	J	F160
CS1213				
2. Locating Boss Option	A = Without Boss B = With Boss			
3. Terminal Option	G = Gull Wing J = J Lead			
4. Actuation Force	F160 = 160gF F260 = 260gF			

Dimensions

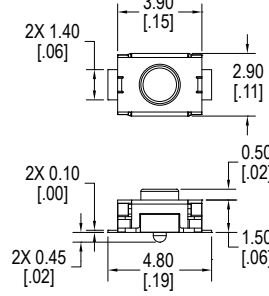
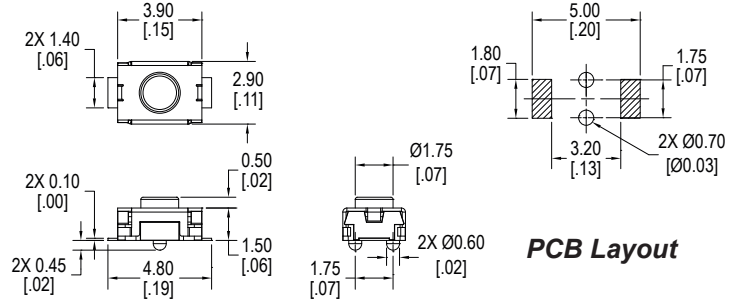


PCB Layout



Schematic

CS1213AG



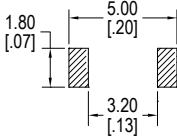
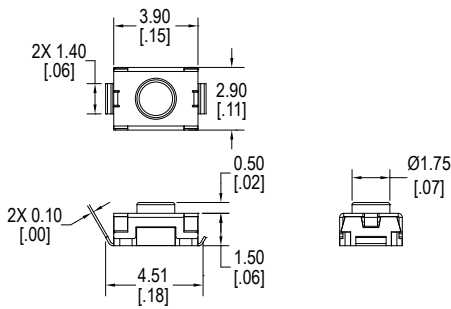
PCB Layout

PCB Layout

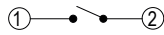


Schematic

CS1213BG

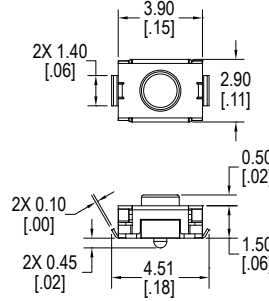
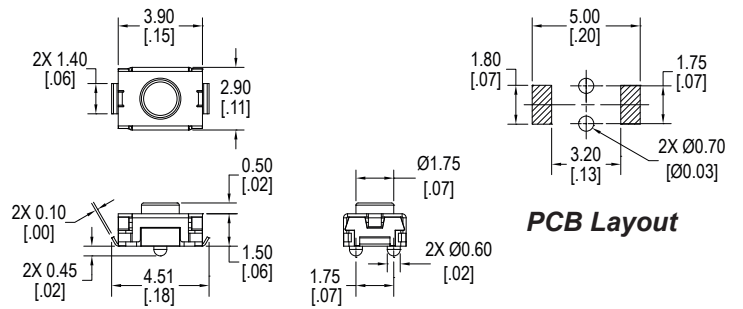


PCB Layout



Schematic

CS1213AJ



PCB Layout

PCB Layout



Schematic

CS1213BJ