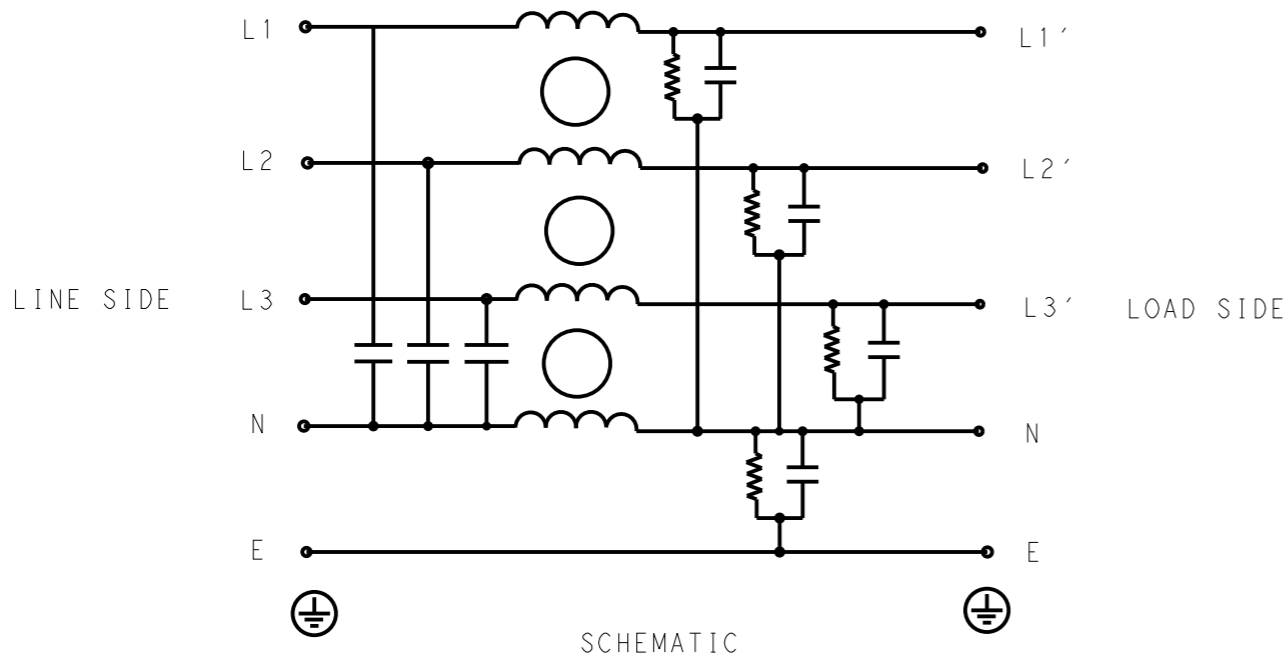
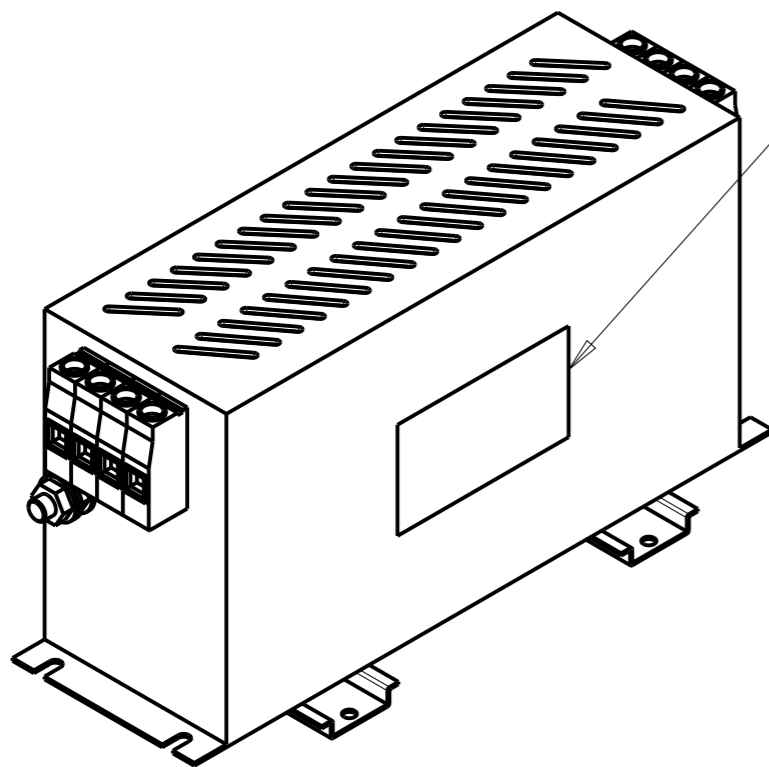


| P | LTR | DESCRIPTION     | DATE      | DWN | APVD |
|---|-----|-----------------|-----------|-----|------|
|   | A   | INITIAL RELEASE | 19APR2021 | BS  | CB   |



TYPICAL INSERTION LOSS  
COMMON MODE 50/50Ω; DIFFERENTIAL MODE 50/50Ω

| MHz | 0.01 | 0.05 | 0.15 | 0.5 | 1  | 3  | 5  | 10 | 30 |
|-----|------|------|------|-----|----|----|----|----|----|
| CM  | 30   | 35   | 48   | 60  | 64 | 57 | 30 | 22 | 15 |
| DM  | 27   | 32   | 41   | 56  | 68 | 60 | 49 | 38 | 19 |



LABEL TO TE MARKING SPECIFICATION

SAFETY ORGANIZATIONS

THIS FILTER WILL BE FORMALLY RECOGNIZED, CERTIFIED OR APPROVED BY THE LISTED AGENCY. THEREFORE, ALL TEST/REQUIREMENTS SPECIFIED IN THE LATEST REVISION OF THE FOLLOWING AGENCY STANDARDS WILL BE MET:

UL APPROVED 75A 440V 50Hz/60Hz 40°C  
CSA APPROVED 75A 440V 50Hz/60Hz 40°C

OPERATING SPECIFICATION

LINE CURRENT/VOLTAGE: 75A, 440VAC  
LINE FREQUENCY: 50/60Hz

MAXIMUM LEAKAGE CURRENT: 6mA @ 230VAC, 50Hz

OPERATING AMBIENT TEMPERATURE RANGE @ RATED CURRENT: -25°C TO +40°C

IN AN AMBIENT, T<sub>a</sub>, HIGHER THAN 40°C, THE MAXIMUM OPERATING CURRENT, I<sub>o</sub>, IS AS FOLLOWS:

$$I_o = I_r \sqrt{\frac{85 - T_a}{45}}$$

RELIABILITY SPECIFICATIONS

STORAGE TEMPERATURE: -40°C TO +85°C  
HUMIDITY: 21 DAYS @ 40°C AND 95% RH

TEST SPECIFICATIONS

INDUCTANCE, NOMINAL: 0.35mH

CAPACITANCE @ 1kHz

NEUTRAL TO GROUND, NOMINAL: 1μF  
LINE TO NEUTRAL, NOMINAL: 4.4μF

DISCHARGE RESISTOR

L/L I.R. 2MΩ 2W  
L/N I.R. 1.5MΩ 2W  
L/G I.R. 2MΩ 2W  
N/G I.R. 680KΩ 2W  
IR (NO DISCHARGE RESISTOR) 20°C, 50% RH AND 100VDC, MIN: 6MΩ

RECOMMENDED RECEIVING INSPECITON HIPOT

LINE TO GROUND FOR 1 MINUTE: 2632VDC  
LINE TO LINE FOR 1 MINUTE: 1892VDC  
LINE TO NEUTRAL FOR 1 MINUTE: 1093VDC

FILTER APPROVAL

THE BEST WAY TO SELECT AND QUALIFY A FILTER IS FOR YOUR ENGINEERING TO TEST THE UNIT IN YOUR EQUIPMENT.

|  |  |                               |  |  |
|--|--|-------------------------------|--|--|
| THIS DRAWING IS A CONTROLLED DOCUMENT. |  | DWN 19APR2021<br>BAPAT SAHAS  |  |  |
| DIMENSIONS: mm                         |  | CHK 19APR2021<br>CHRIS BOLLE  |  |  |
| TOLERANCES UNLESS OTHERWISE SPECIFIED: |  | APVD 19APR2021<br>CHRIS BOLLE | NAME<br>POWER LINE FILTER FOR<br>DIN 35 RAIL INSTALLATION<br>75KEPS10ABSWM |  |
| 0 PLC ±-                               |  | PRODUCT SPEC                  | SIZE   |  |
| 1 PLC ±0.5                             |  | APPLICATION SPEC              | CAGE CODE  |  |
| 2 PLC ±0.40                            |  | WEIGHT                        | DRAWING NO   |  |
| 3 PLC ±0.130                           |  | CUSTOMER DRAWING              | A300779  |  |
| 4 PLC ±0.0500                          |  | SCALE                         | 7-1609969-2  |  |
| ANGLES ±-                              |  | SHEET                         | 1 OF 2   |  |
| MATERIAL                               |  | RESTRICTED TO                 | -  |  |
| FINISH                                 |  | REV                           | A  |  |

© 2021 TE Connectivity. All Rights Reserved.

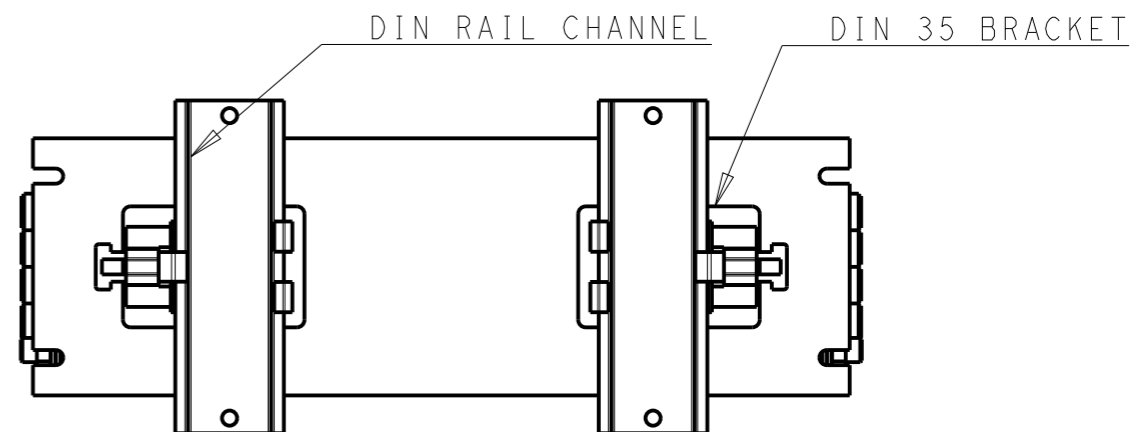
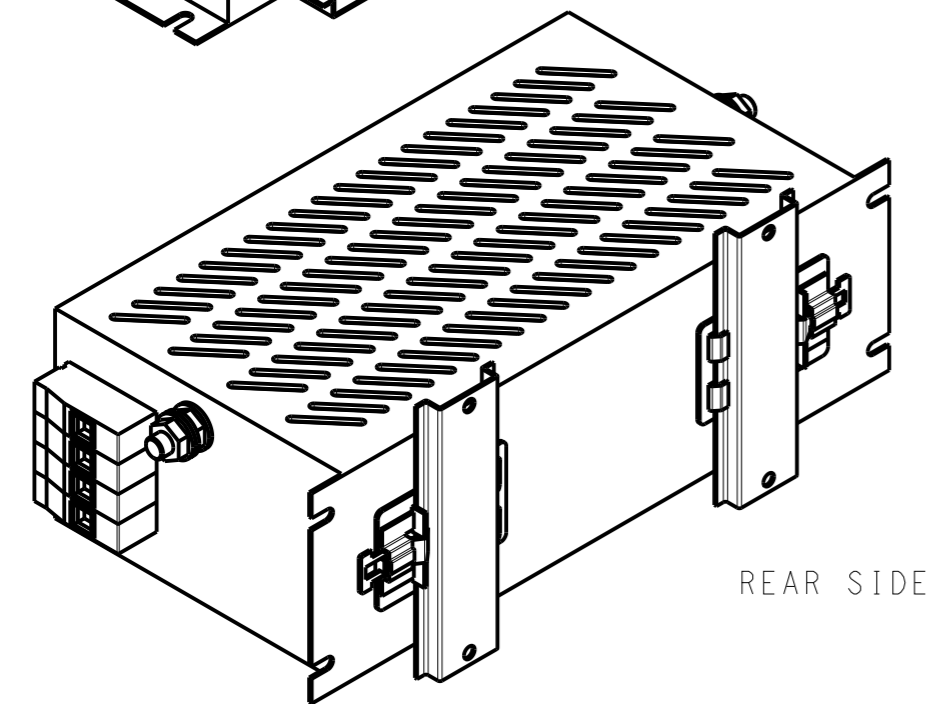
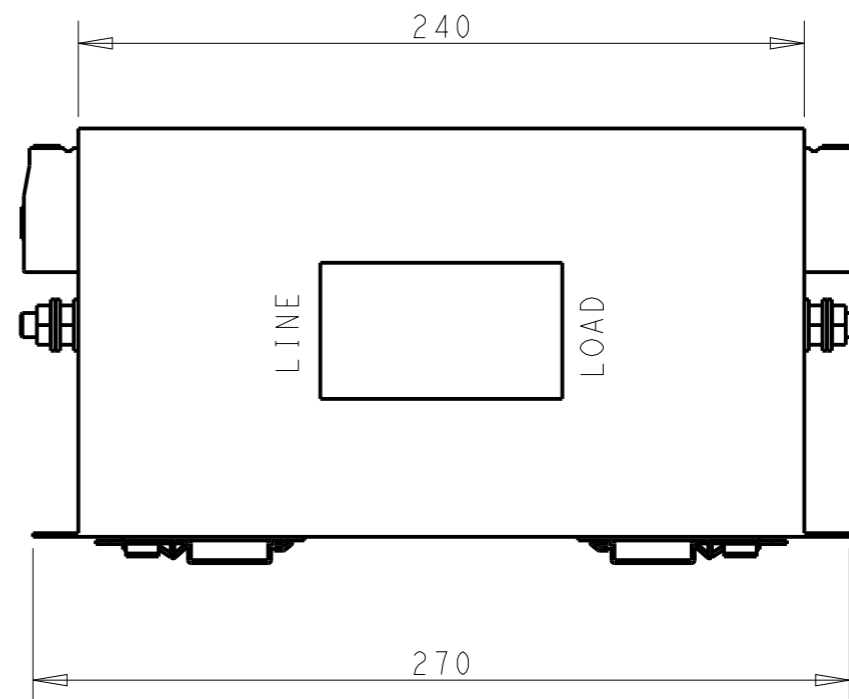
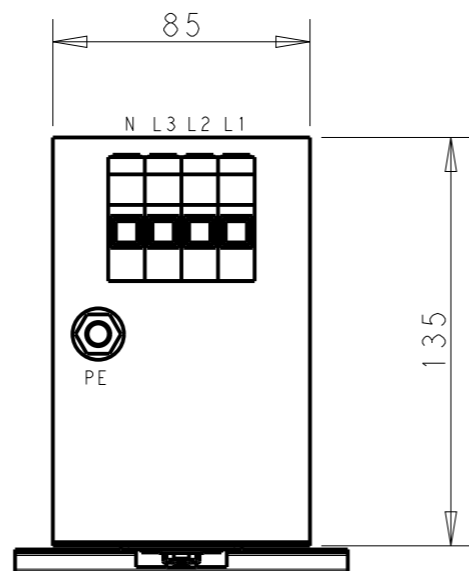
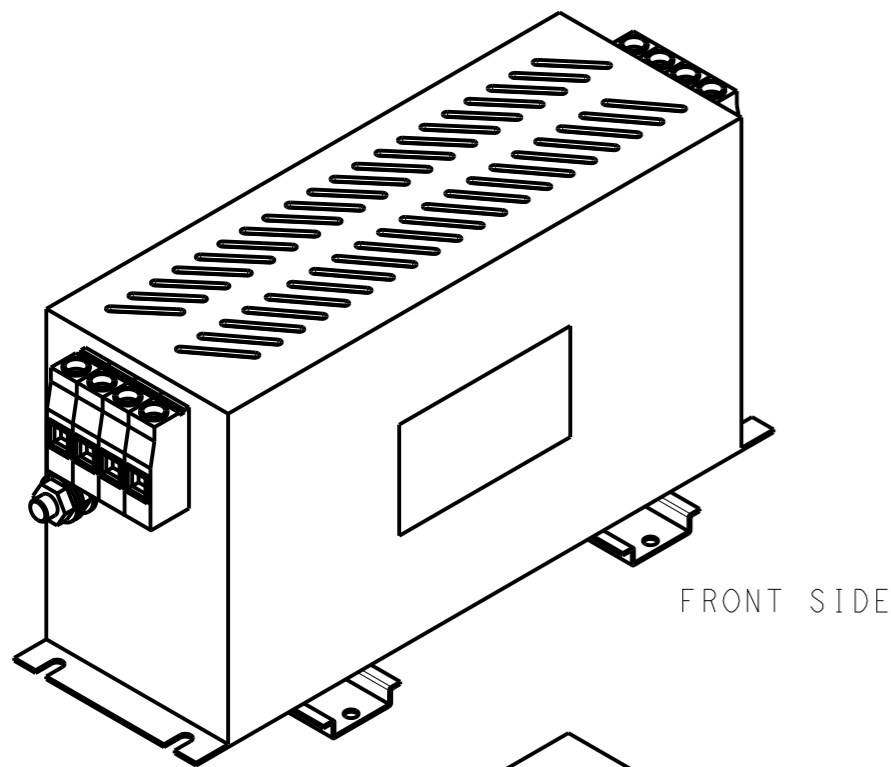
NOTE 1 GROUND CONNECTION:  
 FOR ELECTRICAL SAFETY AND FILTER PERFORMANCE  
 UNIT MUST HAVE A GOOD GROUND CONNECTION.  
 TORQUE OUTER TERMINAL SCREW: 2-2.2Nm / 18-19.8 in.lbs  
 TORQUE GROUND NUTS: 3.5-6Nm

NOTE 2 INPUT OUTPUT CONNECTION TERMINAL  
 AWG SIZE: 12-8 AWG  
 WIRE SECTION: 16 mm<sup>2</sup>  
 THREADED BOLT SIZE FOR GROUND: M8

NOTE 3 SUPPLIED WITH DIN RAIL BRACKET

NOTE 4 DRAWINGS SHOWS DIN RAIL FOR REFERENCE ONLY

| REVISIONS |     |             |      |     |      |
|-----------|-----|-------------|------|-----|------|
| P         | LTR | DESCRIPTION | DATE | DWN | APVD |
|           |     | SEE SHEET 1 |      |     |      |
|           |     |             |      |     |      |
|           |     |             |      |     |      |



|  |  |  |           |                  |            |   |               |
|--|--|--|-----------|------------------|------------|---|---------------|
| THIS DRAWING IS A CONTROLLED DOCUMENT. |  | DWN                                    | 19APR2021 |                  |            | NAME<br>POWER LINE FILTER FOR<br>DIN 35 RAIL INSTALLATION<br>75KEPS10ABSWHM | RESTRICTED TO |
|  |  | CHK                                    | 19APR2021 |                  |            |   |               |
|  |  | APVD                                   | 19APR2021 |                  |            |   |               |
|  |  | PRODUCT SPEC                           | -         |                  |            |   |               |
| DIMENSIONS:                            |  | TOLERANCES UNLESS OTHERWISE SPECIFIED: |           | APPLICATION SPEC |            | -   |               |
| mm                                     |  | 0 PLC                                  | ±-        |                  | WEIGHT     |   | -             |
|  |  | 1 PLC                                  | ±0.5      |                  | SIZE       |   | A300779       |
|  |  | 2 PLC                                  | ±0.40     |                  | CAGE CODE  |   | C-7-1609969-2 |
|  |  | 3 PLC                                  | ±0.130    |                  | DRAWING NO |   |               |
|  |  | 4 PLC                                  | ±0.0500   |                  | SCALE      |   | 2:5           |
|  |  | ANGLES                                 | ±-        |                  | SHEET      |   | 2 OF 2        |
| MATERIAL                               |  | FINISH                                 |           | CUSTOMER DRAWING |            | REV   |               |
| -                                      |  | -                                      |           | -                |            | A   |               |