



CABLE 252 RF: SMA R/A MALE PLUG + RP SMA FEMALE STRAIGHT BULKHEAD JACK W/O-RING RATED TO IP67/68 + RG178 CABLE

SPECIFICATIONS :

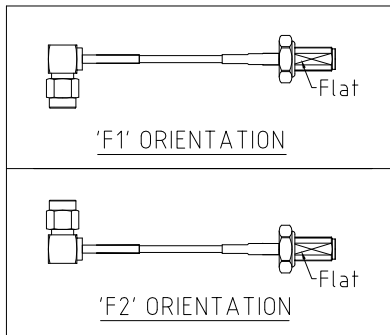
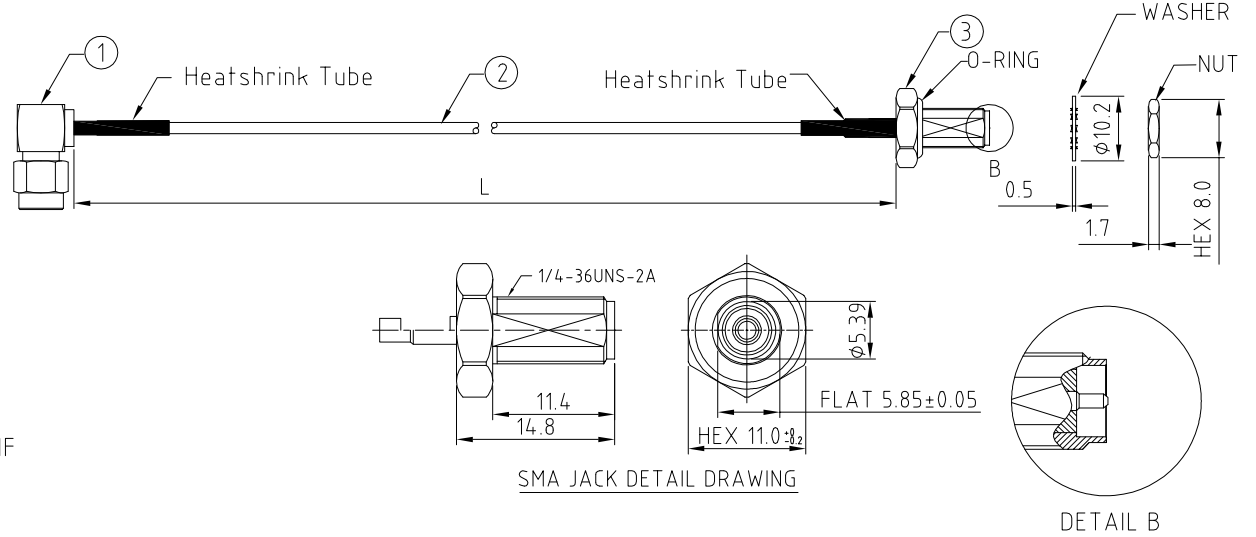
1. SMA RIGHT ANGLE PLUG, P/N: RFCT-SMA025-M78.
2. COAXIAL CABLE, SEE P/N OPTIONS FOR DETAIL.
3. RP SMA STRAIGHT BULKHEAD JACK W/O-RING RATED TO IP67/68, P/N: RFCT-SMA008-F78.

ENVIRONMENTAL:

- A. BULKHEAD MOUNTED CONNECTOR (RFCT-SMA008-F78) TESTED TO THE FOLLOWING SPECIFICATION:
- i. IP6X - DUST TIGHT - NO PARTICLE INGRESS.
  - ii. IPX7 WATERPROOF FOR 30 MINUTES UP TO 1 METER UNDERWATER.
  - iii. IPX8 WATERPROOF FOR 48 HOURS AT 1 METER UNDERWATER.
  - iv. IPX8 WATERPROOF FOR 12 HOURS AT 5 METERS UNDERWATER.
  - v. PRESSURE TEST - 1 BAR FOR 10 SECONDS.

NOTES:

1. THE ORIENTATION OF CONNECTORS ON DRAWING IS FOR REFERENCE ONLY, IF THE ORDER IS LEFT BLANK THE CONNECTOR WILL NOT HAVE FIXED ORIENTATION.
2. FIXED ORIENTATION IS SUGGESTED FOR CABLE LENGTH 25MM TO 100MM. PLEASE SPECIFY THE FIXED ORIENTATIONS FROM THE ORDER CODE (F1, F2, ETC)
3. CONTACT GRADCONN IF THE ORIENTATION YOU REQUIRE IS NOT SHOWN.
4. WORKING FREQUENCY RANGE: DC-3GHz.
5. OPERATING TEMPERATURE: -40°C TO +125°C
6. IMPEDANCE: 50 OHM



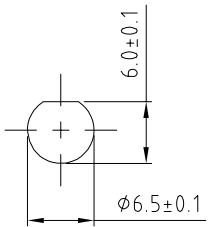
HOW TO ORDER  
 CABLE 252 RF - X X X X - X X - X - 1

"L" LENGTH IN MM:  
 eg: 100MM = 0100  
 (MIN. 0050-MAX.2000  
 STANDARD = 0100, 0150, 0200)  
 Tolerance: 50mm: ±2mm.  
 51-200mm: ±5mm.  
 201-500mm: ±7mm.  
 >501mm: ±10mm.

CABLE SIZE:  
 1 = RG178 CABLE, COLOR: BROWN.

WASHER AND NUT OPTIONS:  
 BLANK = SEPARATELY PACKED (STANDARD)  
 A = ALL ASSEMBLED WITH CONNECTOR

ORIENTATION OPTIONS:  
 BLANK = DOES NOT HAVE A FIXED ORIENTATION  
 F1 = SMA PLUG CONNECTION DOWN (L=50-200MM)  
 F2 = SMA PLUG CONNECTION UP (L=50-200MM)  
 (SEE NOTES 1, 2, 3 AND DIAGRAMS FOR MORE INFORMATION)



RECOMMENDED SMA MOUNTING HOLE

REV. DATE & DRN  
 10 07/07/16 - R/JH RELEASE  
 11 18/05/18 - NYM  
 ADD ORIENTATION OPTIONS.  
 12 22/05/20 - NYM  
 ADD NOTES 5 & 6.  
 13 22/07/20 - NYM  
 AHEAD OPERATING TEMP.

Scale: NTS	THIRD ANGLE	Unstated .X .XX .XXX ANGLES	Tolerances: N/A N/A N/A N/A
Drawn: RJH			
App'd: XXX	Title: CABLE ASSEMBLY		
Date: 24 JUL '20	Revision: 13	Unit: mm	

IP67/68 Rated Cables

www.gradconn.com

Type: Cable 252 RF
CABLE 252 RF
Drawing Number:
Sheet 1 of 1
Drawing © E and O.E