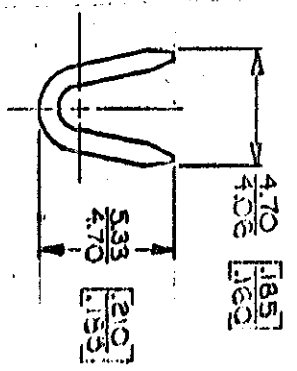
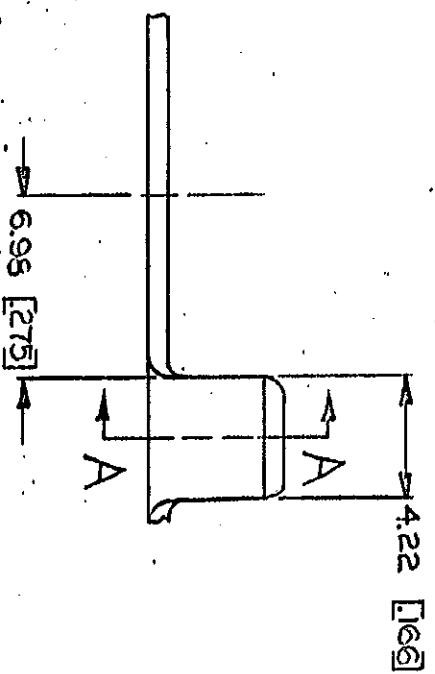
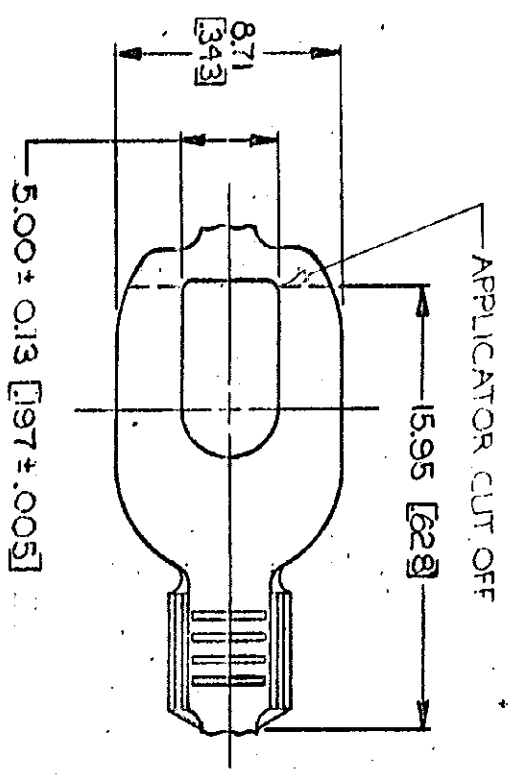


© COPYRIGHT 1965 BY AMP INCORPORATED, HARRISBURG, PA.
 ALL INTERNATIONAL RIGHTS RESERVED. AMP INCORPORATED PRODUCTS
 COVERED BY U. S. AND FOREIGN PATENTS AND/OR PATENTS PENDING.



1. CONTINUOUS STRIP ON REELS
 2. DIMENSIONS IN BRACKETS ARE IN INCHES.

METRIC

| REVISIONS | | | | | | |
|-----------|---|------|-----|----------------------------|---------|----------|
| P | F | ZONE | LTR | DESCRIPTION | DATE | APPROVED |
| 1 | | | J | REDRAWN & REVISED A-3-4-65 | 4/1/65 | |
| 2 | | | K | REWORKED - 1 | AF-1556 | 6/10/65 |

| | | | | | | | | | |
|-----------|--|------------|----------------------------------|-----------------|-----------------------------|-------------|------------------------------|---------|-----------------------|
| STUD SIZE | #10 | WIRE RANGE | 08-2.0 mm ² [8-14] | FINISH | NONE TIN | MATERIAL | 0.76 [030] BRASS | PART NO | 40521-1 40521 |
| | UNLESS OTHERWISE SPECIFIED DIMENSIONS ARE IN INCHES TOLERANCES ON DIMENSIONS ARE AS FOLLOWS: FRACTIONS DECIMALS ANGLES | | CONTRACT NO | | DR. <i>W. J. ...</i> 5/3/78 | | DR. <i>W. J. ...</i> 7/19/78 | | CHK. <i>W. J. ...</i> |
| MATERIAL | SEE TABLE | SPADE | | | | | | | |
| FINISH | SEE TABLE | SIZE | B | CODE IDENT. NO. | 00779 | DRAWING NO. | 40521 | SHEET | |

CUSTOMER DRAWING

DUPLICATE ORIGINAL LOST
 2-20-81

AMP 1470-15 (7-73)