

# HC-EVO-D25-SLWS-2SSM20-PLR-BK - Housing



1421466

<https://www.phoenixcontact.com/pc/products/1421466>

Please be informed that the data shown in this PDF document is generated from our online catalog. Please find the complete data in the user documentation. Our general terms of use for downloads are valid.



Box mounting bases D25, with single locking latch, material: PA, cable outlets: 2, lateral, 2x M20, height: 57 mm, cable gland: none, Standard, including 2x reducing adapter

## Your advantages

- Flexible cable outlet direction, lateral or straight
- Lower costs than metal version
- Low weight
- Lower risk of condensation

## Commercial data

Item number	1421466
Packing unit	1 pc
Minimum order quantity	1 pc
Product key	BF7APN
Catalog page	Page 530 (C-2-2019)
GTIN	4055626265087
Weight per piece (including packing)	107 g
Weight per piece (excluding packing)	107 g
Customs tariff number	85389099
Country of origin	PL

# HC-EVO-D25-SLWS-2SSM20-PLR-BK - Housing



1421466

<https://www.phoenixcontact.com/pc/products/1421466>

## Technical data

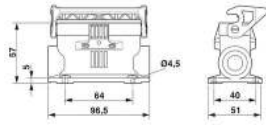
### Notes

General	For contact inserts HC-D25, A16
---------	---------------------------------

### Product properties

Type	D25
Product type	Housing with locking latch
Application	Standard
No. of cable outlets	2
Type of the screw connection	2x M20
Housing type	Box mounting bases
Series	HC-D
Cable outlet	lateral
Pg screw connection	none

### Dimensions

Dimensional drawing	
Width	51 mm
Height	57 mm
Length	96.5 mm
Hole diameter	4.5 mm

### Material specifications

Flammability rating according to UL 94	V0 (Housing) V0 (Interlock)
Locking latch material	PA
Impact strength	IK08
Housing material	PA

### Mechanical properties

#### Mechanical data

Type of the screw connection	2x M20
Locking type	Latch

### Mounting

Assembly instructions	Two M25 to M20 reducing adapters are included One of the two openings for the screw connections is sealed but can be broken open using a screwdriver.
-----------------------	--

# HC-EVO-D25-SLWS-2SSM20-PLR-BK - Housing



1421466

<https://www.phoenixcontact.com/pc/products/1421466>

## Environmental and real-life conditions

### Ambient conditions

Degree of protection	IP66
Degree of protection (NEMA)	12 (UL 50e)
Impact strength	IK08
Ambient temperature (operation)	-40 °C ... 125 °C

# HC-EVO-D25-SLWS-2SSM20-PLR-BK - Housing

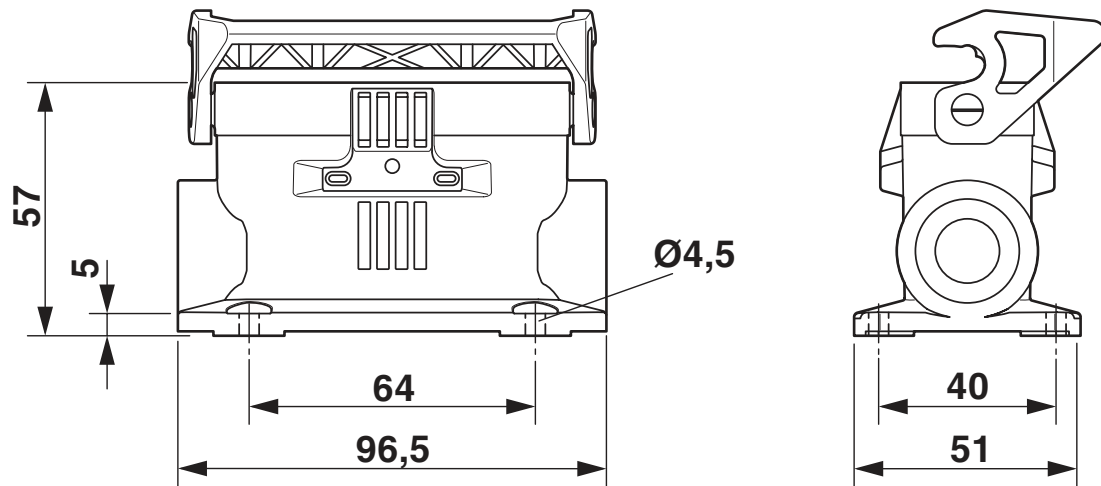


1421466

<https://www.phoenixcontact.com/pc/products/1421466>

## Drawings

Dimensional drawing



Dimensional drawing

1421466

<https://www.phoenixcontact.com/pc/products/1421466>

## Approvals

🔗 To download certificates, visit the product detail page: <https://www.phoenixcontact.com/pc/products/1421466>

**DNV**

Approval ID: TAE000037S

**ERC**

**EAC**

Approval ID: RU C-DE.AI30.B.01102

**ERC**

**EAC**

Approval ID: RU C-DE.BL08.B.00511

1421466

<https://www.phoenixcontact.com/pc/products/1421466>

## Classifications

### ECLASS

ECLASS-11.0	27440202
ECLASS-12.0	27440202
ECLASS-13.0	27440202

### ETIM

ETIM 8.0	EC000437
----------	----------

### UNSPSC

UNSPSC 21.0	31261500
-------------	----------

# HC-EVO-D25-SLWS-2SSM20-PLR-BK - Housing



1421466

<https://www.phoenixcontact.com/pc/products/1421466>

## Environmental product compliance

China RoHS	Environmentally friendly use period: unlimited = EFUP-e
	No hazardous substances above threshold values

# HC-EVO-D25-SLWS-2SSM20-PLR-BK - Housing



1421466

<https://www.phoenixcontact.com/pc/products/1421466>

## Accessories

### REDUC-K-KV-M25/M20 BK - Reducing adapter

1411232

<https://www.phoenixcontact.com/pc/products/1411232>



Reducing adapter, connecting thread: M25 x 1.5, color: jet black, with flat gasket

---

### G-INS-M20-S68N-PNES-BK - Cable gland

1411133

<https://www.phoenixcontact.com/pc/products/1411133>



Cable gland, material for screw connection: PA, external cable diameter 6 mm ...  
12 mm, shielding: no, connecting thread: M20 x 1.5, color: jet black RAL 9005



# HC-EVO-D25-SLWS-2SSM20-PLR-BK - Housing

1421466

<https://www.phoenixcontact.com/pc/products/1421466>



## A-INSP-M20-65N-P-BK - Screw plug

1415206

<https://www.phoenixcontact.com/pc/products/1415206>



Screw plug, material for screw connection: PA, connecting thread: M20 x 1.5, color: jet black RAL 9005, with O-ring

---

## HC-STA-D25-BCSFS-PLR-BK - Protective cover

1424401

<https://www.phoenixcontact.com/pc/products/1424401>



Protective cover D25, for single locking latch, protective cover material: PA, height: 19 mm

# HC-EVO-D25-SLWS-2SSM20-PLR-BK - Housing



1421466

<https://www.phoenixcontact.com/pc/products/1421466>

## HC-D25-SL-PLBK - Housing brackets

1414668

<https://www.phoenixcontact.com/pc/products/1414668>



Replacement plastic single locking latch, for HC-EVO-D25.....BK housing

---

## HC-D25-BC-HI-PLBK - Protective cover

1414674

<https://www.phoenixcontact.com/pc/products/1414674>



Protective cover D25, for single locking latch, protective cover material: PC, height: 15.2 mm, seal: no

# HC-EVO-D25-SLWS-2SSM20-PLR-BK - Housing

1421466

<https://www.phoenixcontact.com/pc/products/1421466>



## HC-D25-BCFS-PR-BK - Protective cover

1346522

<https://www.phoenixcontact.com/pc/products/1346522>

Protective cover D25, for single locking latch, protective cover material: PC, height: 19 mm, seal: yes



---

Phoenix Contact 2023 © - all rights reserved

<https://www.phoenixcontact.com>

PHOENIX CONTACT GmbH & Co. KG

Flachsmarktstraße 8

D-32825 Blomberg

+49 (0) 5235-3 00

[info@phoenixcontact.com](mailto:info@phoenixcontact.com)