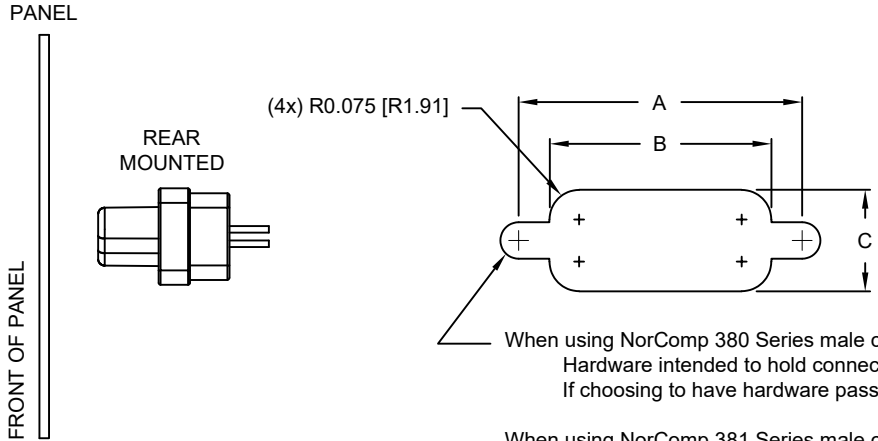


	A	B	C
9 POSITION	0.565 [14.35]	0.410 [10.41]	0.256 [6.50]
15 POSITION	0.715 [18.16]	0.560 [14.22]	0.256 [6.50]
25 POSITION	0.965 [24.51]	0.810 [20.57]	0.256 [6.50]

TOLERANCE = +0.010/-0.000 inch

This panel cut out instruction sheet is to be used only when mating:  
 NorComp 380 Series males connectors to NorComp 960 Series kit OR NorComp CCA-YYY-YYYYR152 cables  
 (NorComp 160-380-001R031 hardware intended to be used here)  
 NorComp 381 Series male connectors to NorComp 960 Series kit OR NorComp CCA-YYY-YYYYR152 cables  
 NorComp does not provide a cable mate solution for the 380 Series female connectors  
 NorComp part number 160-380-001R031 will NOT work with 380 Series female connectors. Can consider using  
 NorComp part number 160-580-JSSRKT1 or 160-580-JSLRKT1.



When using NorComp 380 Series male connector => (2x) Ø0.108 +0.005/-0.000 [2.74]  
 Hardware intended to hold connector to panel; max panel thickness of 0.020 [0.05]  
 If choosing to have hardware pass through panel; use dimensions below for NorComp 381 Series  
 When using NorComp 381 Series male connector => (2x) Ø0.145 +0.010/-0.000 [3.68]  
 Hardware intended to pass through panel

Distance between mating connector flanges should be 0.216 [5.49] MAX\*.  
 \*Please note that the mating distance will be greater between flanges when using NorComp 960 Series kit or  
 NorComp CCA-YYY-YYYYR152 as the contacts within are extended to accommodate this greater distance.

These dimensions are recommended but may not suit all applications.  
 If you have any questions regarding these dimensions please reach out to [eng@norcomp.net](mailto:eng@norcomp.net)

RoHS COMPLIANT

UNITS = inch [mm]

DO NOT SCALE FROM DRAWING



THESE DRAWINGS AND SPECIFICATIONS ARE THE PROPERTY OF NorComp AND SHALL NOT BE REPRODUCED, COPIED OR USED AS THE BASIS FOR THE MANUFACTURE OR SALE OF APPARATUS WITHOUT WRITTEN PERMISSION.

DRAWN:  
 J. KADEL  
 DATE:  
 04/02/2020

NorComp

SCALE: NTS SHEET 1 OF 1 REV 5

DWG NO. Panel Cutout Micro-D