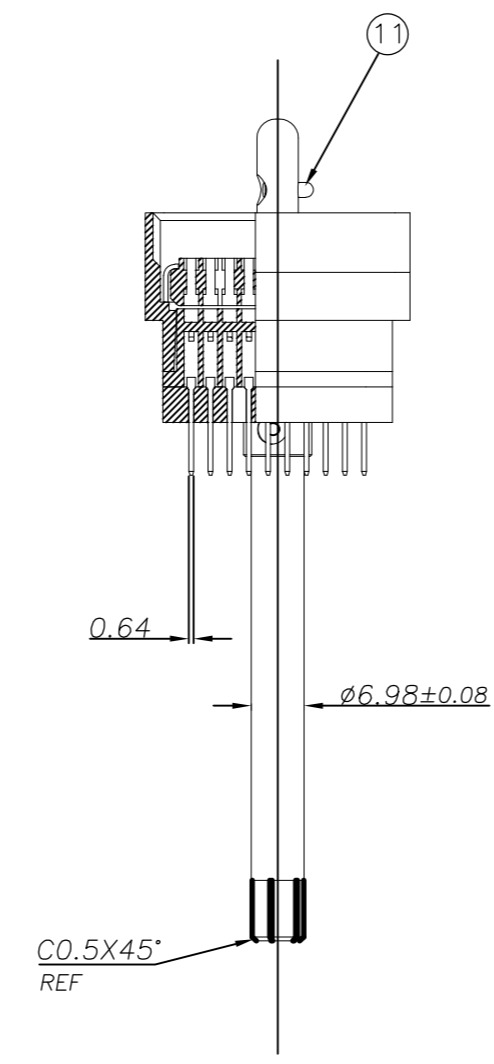
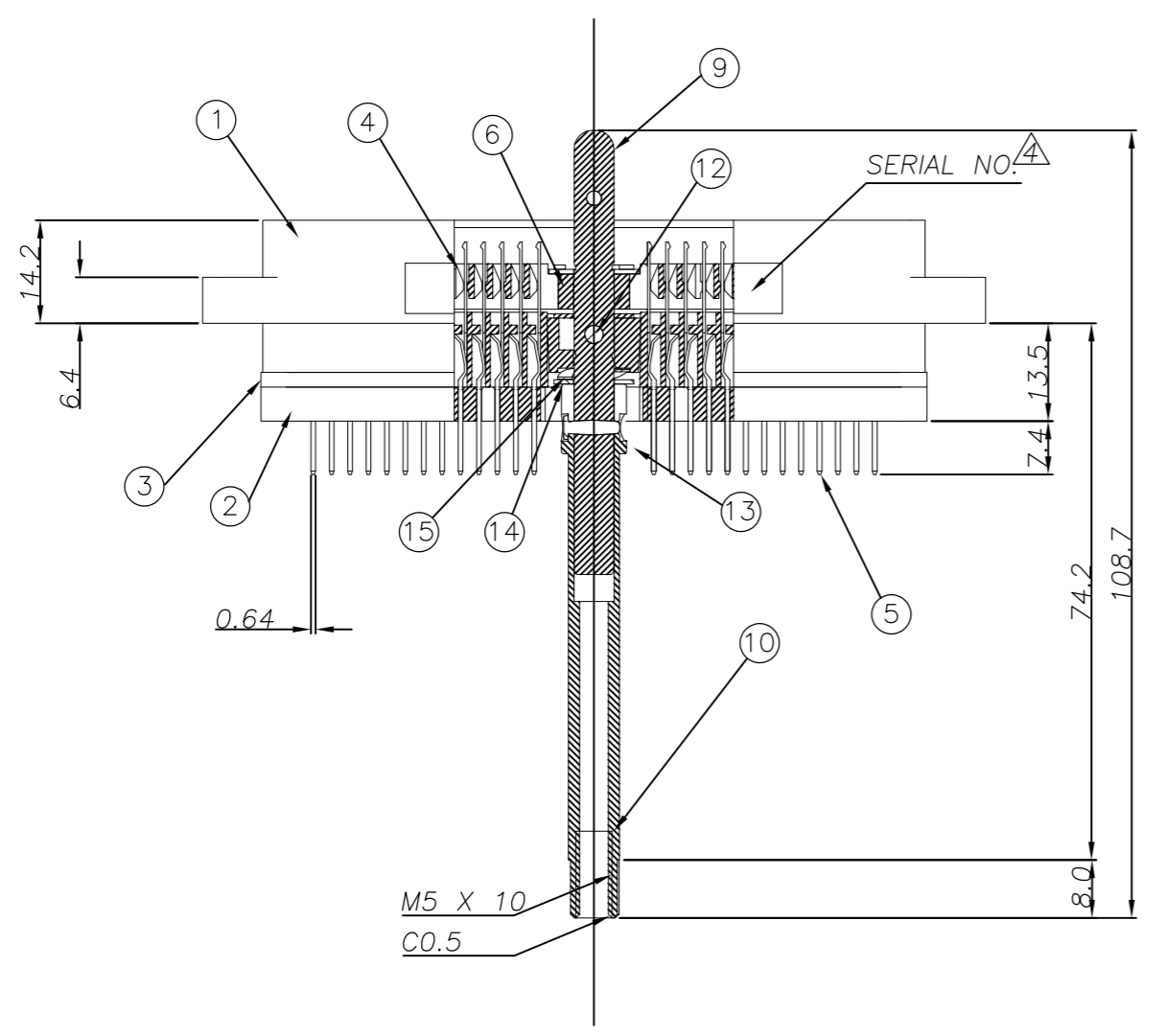
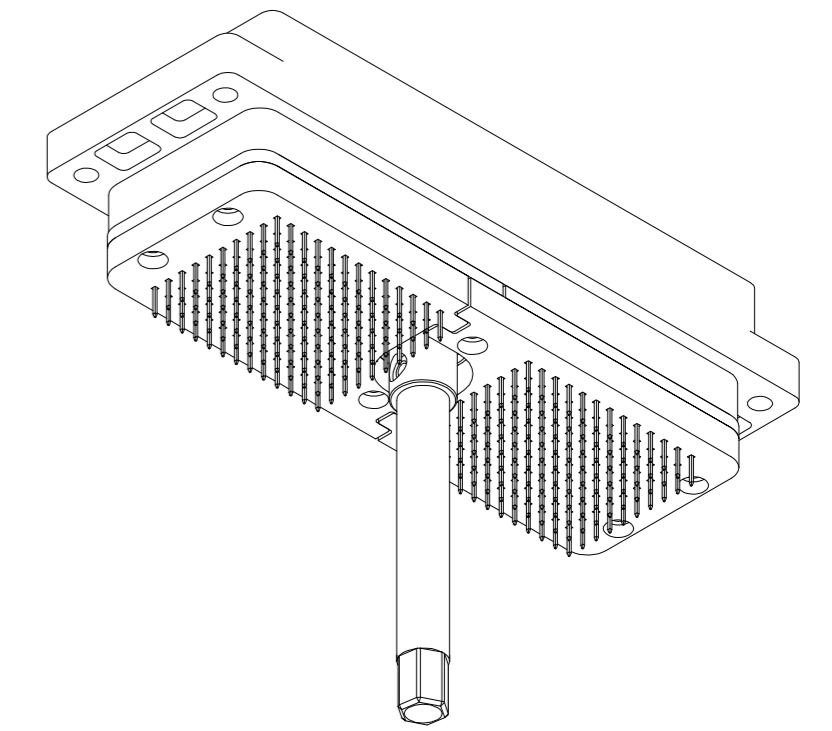
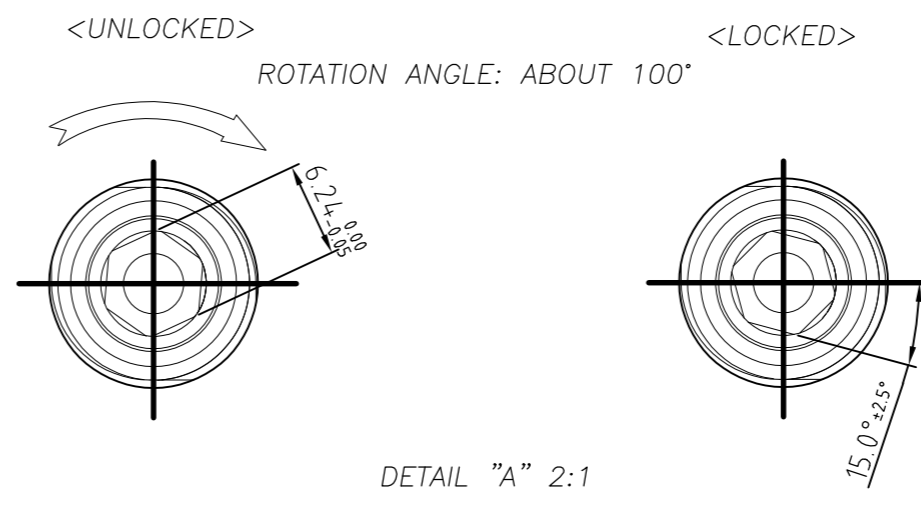
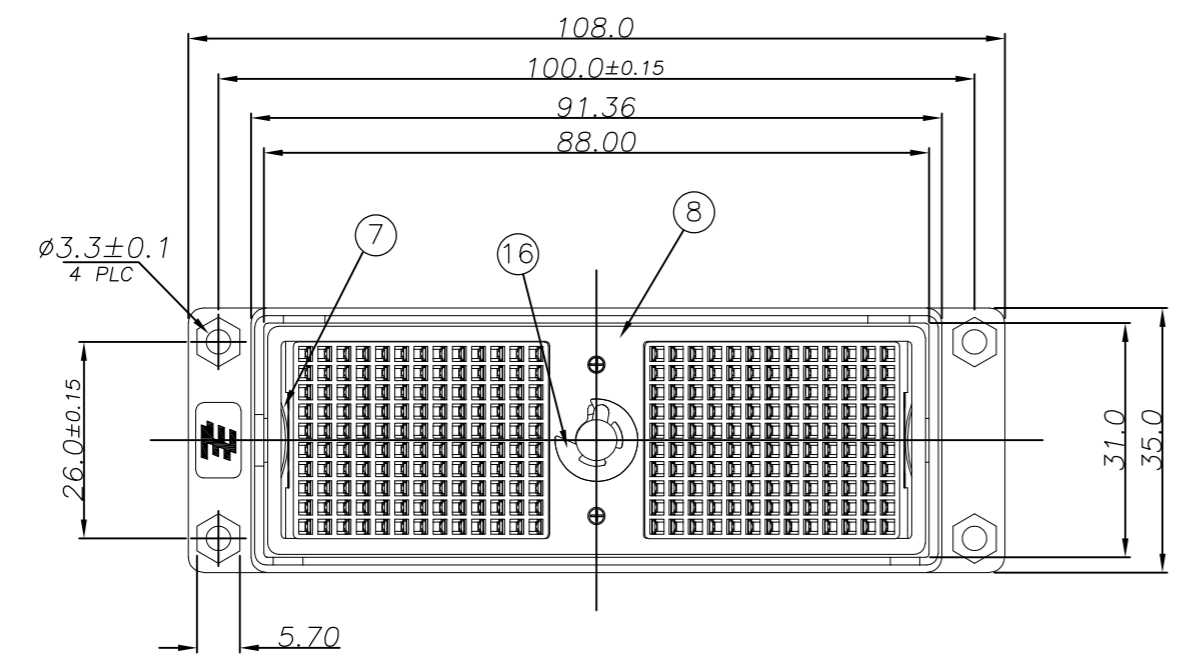


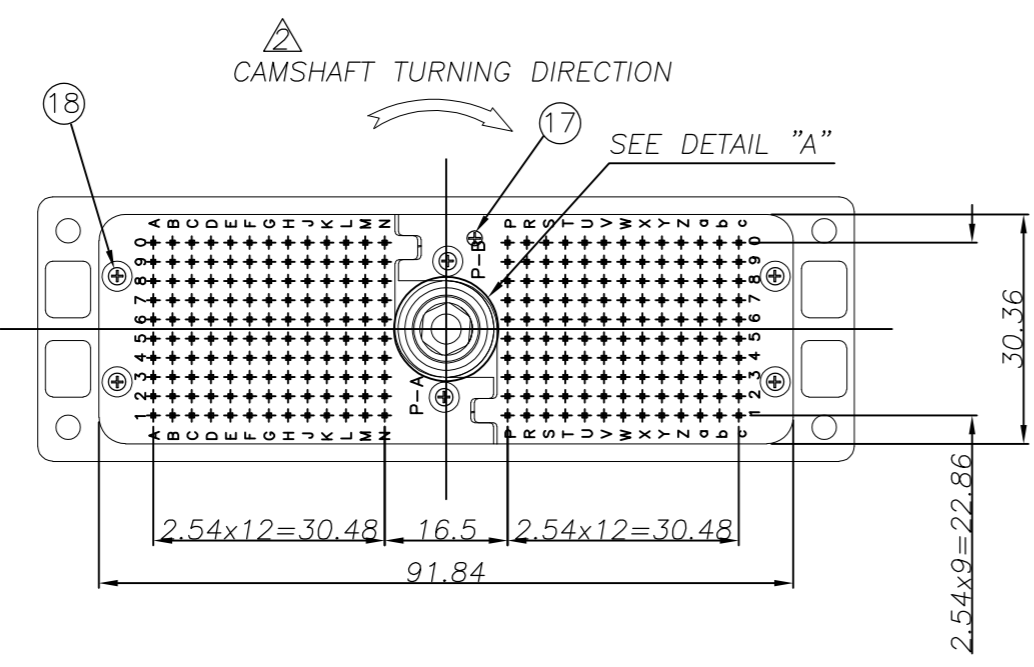
THIS DRAWING IS UNPUBLISHED. RELEASED FOR PUBLICATION
 © COPYRIGHT BY TYCO ELECTRONICS CORPORATION, ALL RIGHTS RESERVED.

LOC	DIST	REVISIONS					
		P	LTR	DESCRIPTION	DATE	DWN	APVD
		C1		REVISED	21.JUN.12	T.K	M.K



NOTE:
 ▲PLATING :
 CONTACT AREA : 0.8um MIN. GOLD OVER 2.5um MIN. NICKEL.
 OTHERS : GOLD FLASH OVER 2.5um MIN. NICKEL.
 ▲TORQUE : 93.1N·cm MAX. (9.5Kg·cm MAX.)
 3.GENERAL TOLERANCE: ±0.3.
 ▲SERIAL NUMBER: YYMMDD-XXXX.

ITEM	DESCRIPTION	MATERIAL	FINISH	REMARK	Q'ty
18	BOLT M2x8	STAINLESS STEEL	-	-	6
17	BOLT M2x4	STAINLESS STEEL	-	-	10
16	E-RING	STAINLESS STEEL	-	-	1
15	WAVE WASHER	STAINLESS STEEL	-	-	1
14	WASHER	STAINLESS STEEL	-	-	2
13	CAM SHAFT PIN(L)	STAINLESS STEEL	-	-	1
12	CAM SHAFT PIN(M)	STAINLESS STEEL	-	-	1
11	CAM SHAFT PIN(S)	STAINLESS STEEL	-	-	1
10	CAM SHAFT BODY	STAINLESS STEEL	-	-	1
9	CAM SHAFT HEADER	STAINLESS STEEL	-	-	1
8	COVER	STAINLESS STEEL	-	-	1
7	SPRING	STAINLESS STEEL	-	-	2
6	PLUG LOCKING GUIDE	THERMOPLASTIC	-	-	2
5	TERMINAL	COPPER ALLOY	▲	-	260
4	PLUG SLIDE PLATE	PPS GF30	-	UL 94V-0	2
3	PLUG HOUSING	PBT GF30	-	UL 94V-0	2
2	PIN GUIDE	PC GF30	-	UL 94V-0	2
1	PLUG DIECASTING	ALUMINUM	NICKEL PLATING	-	1



THIS DRAWING IS A CONTROLLED DOCUMENT FOR TYCO ELECTRONICS CORPORATION IT IS SUBJECT TO CHANGE AND THE CONTROLLING ENGINEERING ORGANIZATION SHOULD BE CONTACTED FOR THE LATEST REVISION.

DIMENSIONS: MM	TOLERANCES UNLESS OTHERWISE SPECIFIED:	DWN OH KWON	TE connectivity
	0 PLC ± 1 PLC ± 2 PLC ± 3 PLC ± 4 PLC ± ANGLES ± FINISH ±	CHK M.KIMURA APVD M.KIMURA PRODUCT SPEC 108-61097 APPLICATION SPEC - WEIGHT 163G	
MATERIAL SEE TABLE	SEE TABLE	CUSTOMER DRAWING	NAME M-ZIF CONN. PLUG 260P SOLDER TYPE (WITH LONG SHAFT) SIZE A2 CAGE CODE 00779C DRAWING NO 2005931 RESTRICTED TO - SCALE 1/1 SHEET 1 OF 1 REV C1