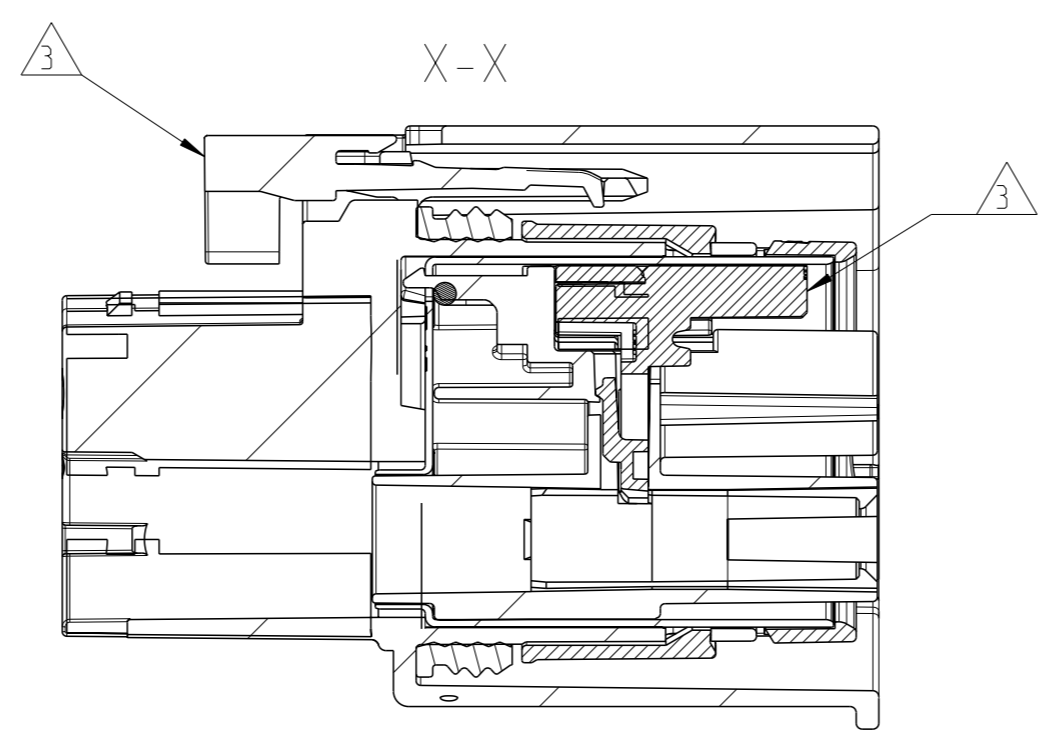
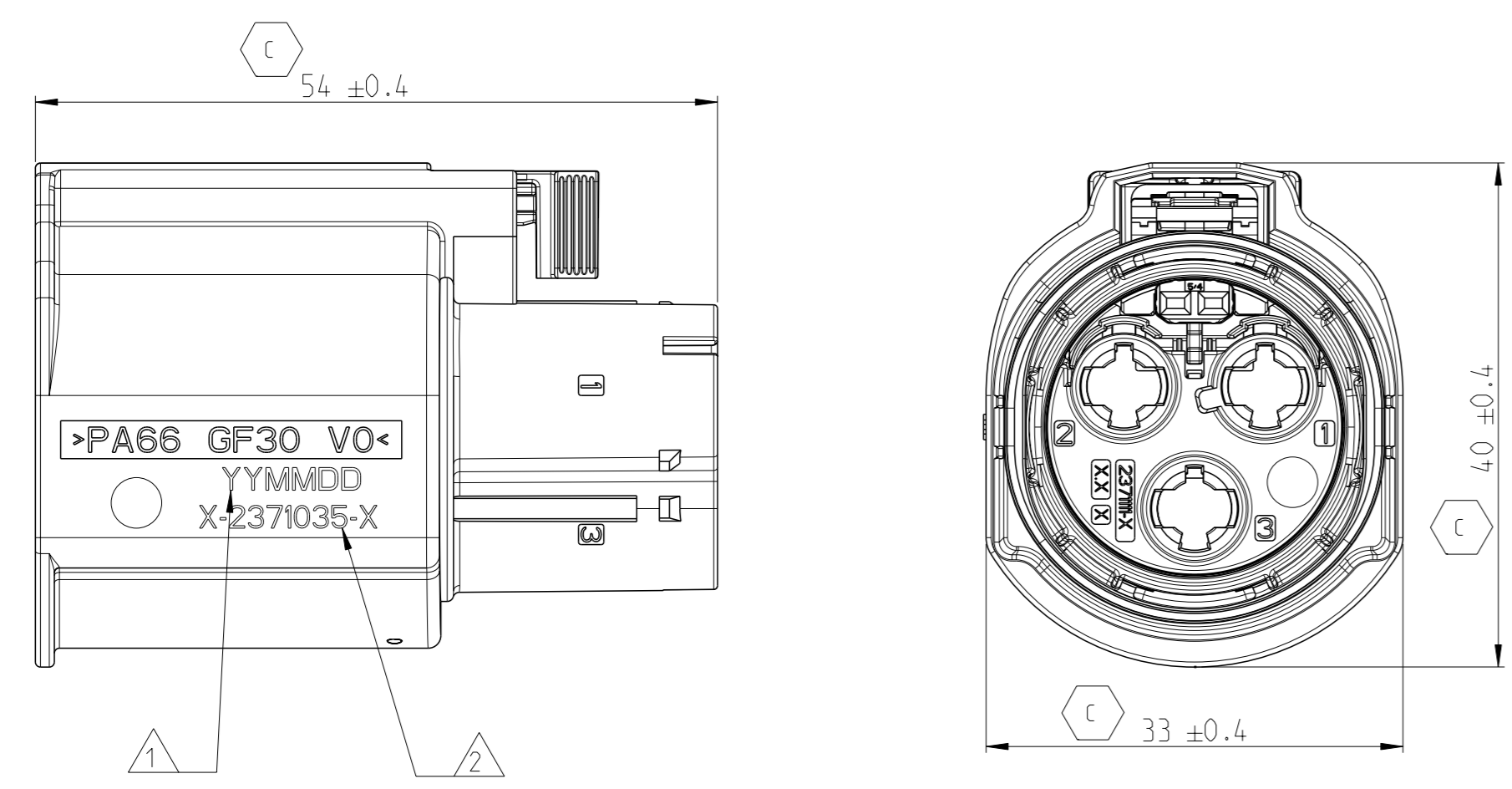


| REVISIONS |     |                          |         |     |      |
|-----------|-----|--------------------------|---------|-----|------|
| P         | CLM | DESCRIPTION              | DATE    | OWN | APVD |
| B         |     | REVISION (ECR-20-008843) | 27OCT20 | Z.C | I.Y  |
| B1        |     | REVISION (ECR-21-005772) | 3MAY21  | Z.C | I.Y  |
| B2        |     | REVISION (ECR-21-107908) | 20JUL21 | Z.C | I.Y  |
| C         |     | REVISION (ECR-23-176383) | 06JUN23 | T.H | Z.Z  |



| P/N         | REFERENCE VIEW OF CODINGS. BLIND | P/N         | REFERENCE VIEW OF CODINGS. 2POS | P/N       | REFERENCE VIEW OF CODINGS. 3POS |
|-------------|----------------------------------|-------------|---------------------------------|-----------|---------------------------------|
| 2-2371035-1 |                                  | 1-2371035-1 |                                 | 2371035-1 |                                 |
|             |                                  | 1-2371035-2 |                                 | 2371035-2 |                                 |
|             |                                  | 1-2371035-3 |                                 | 2371035-3 |                                 |
|             |                                  | 1-2371035-4 |                                 | 2371035-4 |                                 |
|             |                                  | 1-2371035-5 |                                 | 2371035-5 |                                 |
|             |                                  | 1-2371035-6 |                                 | 2371035-6 |                                 |

NOTE:  
 1. PRODUCTION DATE (YYMMDD)  
 2. ASSEMBLY P/N MARKING  
 3. TPA AND CPA ARE AT PRE-LOCK POSITION  
 4. COUNTERPART INFO:  
 1). HEADER X-2371113-X  
 2). OTHER SEE TABLE:

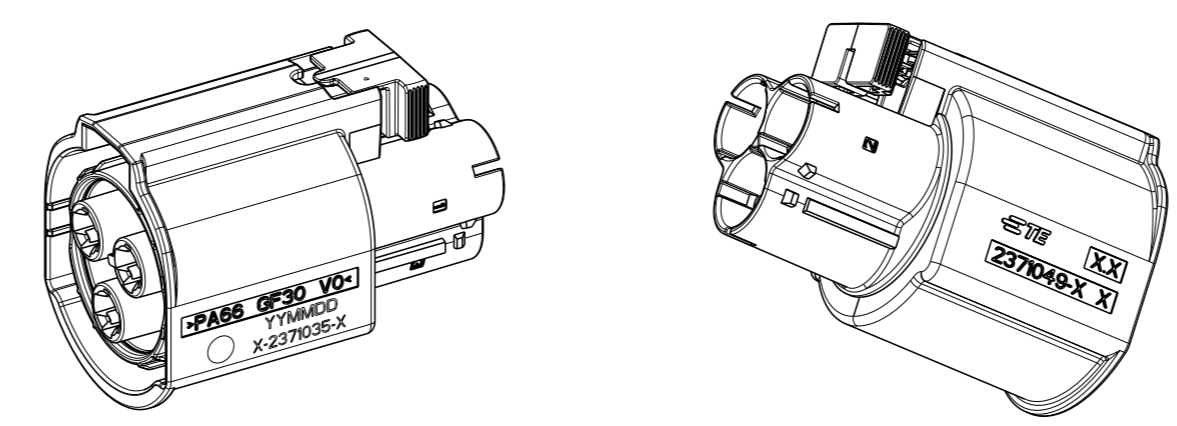
| USED CABLE            | 2.5mm <sup>2</sup>              | 4.0mm <sup>2</sup>    | 6mm <sup>2</sup> |
|-----------------------|---------------------------------|-----------------------|------------------|
| QUALIFIED CABLE BRAND | SEE APPLICATION SPEC 114-160093 |                       |                  |
| SOCKET CONTACT        | 2-2349177-1 (Ag)                | 1-2349177-1 (Ag+AgSn) | 2-2349177-2 (Ag) |
| INNER FERRULE         | 2371242-1                       | 2371242-2             | 2371242-3        |
| OUTER FERRULE         | 2371243-1                       |                       |                  |
| SINGLE WIRE SEAL      | 2371244-1                       | 2371244-2             | 2371244-3        |
| WIRE CLIP             | 2371245-1                       | 2371245-2             | 2371245-3        |

5. GENERAL SPEC:  
 1). WORKING TEMP: -40-140°C  
 2). WORKING VOLTAGE: 1000VDC  
 3). DEGREE OF PROTECTION: IPXXB, IP6K9K, IP67  
 4). FLAMMABILITY: UL94 V0

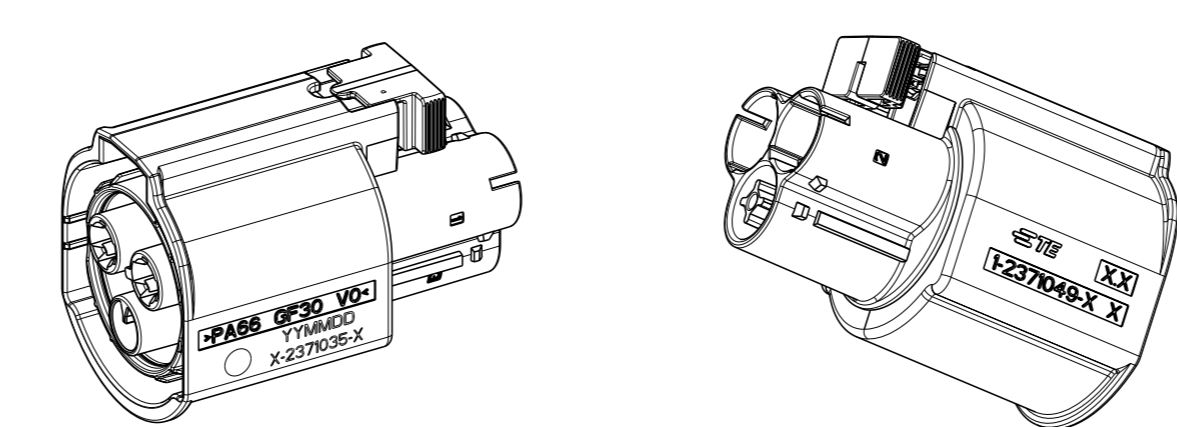
| Q'TY | DESCRIPTION           | MATERIAL     | COLOR   | ITEM |
|------|-----------------------|--------------|---------|------|
| 1    | CPA                   | PA66-GF30 V0 | RED     | 8    |
| 1    | OUTER HOUSING - BLIND | PA66-GF30 V0 | ORANGE  | 7    |
| 1    | PERIPHERAL SEAL       | VMQ          | GREEN   | 6    |
| 1    | SHIELDING - BLIND     | COPPER ALLOY | -       | 5    |
| 1    | MCON 1.2 CABLE ASSY   | -            | -       | 4    |
| 1    | TPA                   | PA66-GF30 V0 | RED     | 3    |
| 1    | INNER HOUSING-BLIND   | PA66-GF30 V0 | YELLOW  | 2    |
| 1    | RETAINER              | PA66-GF30 V0 | NATURAL | 1    |

| BOM OF 3 POSITION |                       |              |         |      |  |
|-------------------|-----------------------|--------------|---------|------|--|
| Q'TY              | DESCRIPTION           | MATERIAL     | COLOR   | ITEM |  |
| 1                 | CPA                   | PA66-GF30 V0 | RED     | 8    |  |
| 1                 | OUTER HOUSING - 3 POS | PA66-GF30 V0 | ORANGE  | 7    |  |
| 1                 | PERIPHERAL SEAL       | VMQ          | GREEN   | 6    |  |
| 1                 | SHIELDING - 3 POS     | COPPER ALLOY | -       | 5    |  |
| 1                 | MCON 1.2 CABLE ASSY   | -            | -       | 4    |  |
| 1                 | TPA                   | PA66-GF30 V0 | RED     | 3    |  |
| 1                 | INNER HOUSING - 3 POS | PA66-GF30 V0 | BROWN   | 2    |  |
| 1                 | INNER HOUSING - 3 POS | PA66-GF30 V0 | GREEN   |      |  |
| 1                 | INNER HOUSING - 3 POS | PA66-GF30 V0 | PURPLE  |      |  |
| 1                 | INNER HOUSING - 3 POS | PA66-GF30 V0 | BLUE    |      |  |
| 1                 | INNER HOUSING - 3 POS | PA66-GF30 V0 | WHITE   |      |  |
| 1                 | INNER HOUSING - 3 POS | PA66-GF30 V0 | BLACK   |      |  |
| 1                 | RETAINER              | PA66-GF30 V0 | NATURAL | 1    |  |

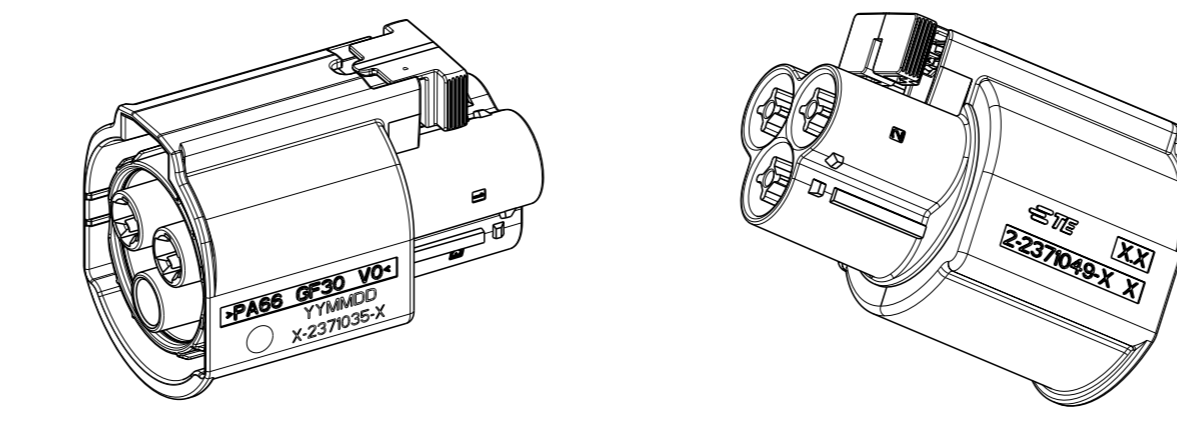
| BOM OF 2 POSITION |                       |              |         |      |  |
|-------------------|-----------------------|--------------|---------|------|--|
| Q'TY              | DESCRIPTION           | MATERIAL     | COLOR   | ITEM |  |
| 1                 | CPA                   | PA66-GF30 V0 | RED     | 8    |  |
| 1                 | OUTER HOUSING - 2 POS | PA66-GF30 V0 | ORANGE  | 7    |  |
| 1                 | PERIPHERAL SEAL       | VMQ          | GREEN   | 6    |  |
| 1                 | SHIELDING - 2 POS     | COPPER ALLOY | -       | 5    |  |
| 1                 | MCON 1.2 CABLE ASSY   | -            | -       | 4    |  |
| 1                 | TPA                   | PA66-GF30 V0 | RED     | 3    |  |
| 1                 | INNER HOUSING - 2 POS | PA66-GF30 V0 | BROWN   | 2    |  |
| 1                 | INNER HOUSING - 2 POS | PA66-GF30 V0 | GREEN   |      |  |
| 1                 | INNER HOUSING - 2 POS | PA66-GF30 V0 | PURPLE  |      |  |
| 1                 | INNER HOUSING - 2 POS | PA66-GF30 V0 | BLUE    |      |  |
| 1                 | INNER HOUSING - 2 POS | PA66-GF30 V0 | WHITE   |      |  |
| 1                 | INNER HOUSING - 2 POS | PA66-GF30 V0 | BLACK   |      |  |
| 1                 | RETAINER              | PA66-GF30 V0 | NATURAL | 1    |  |



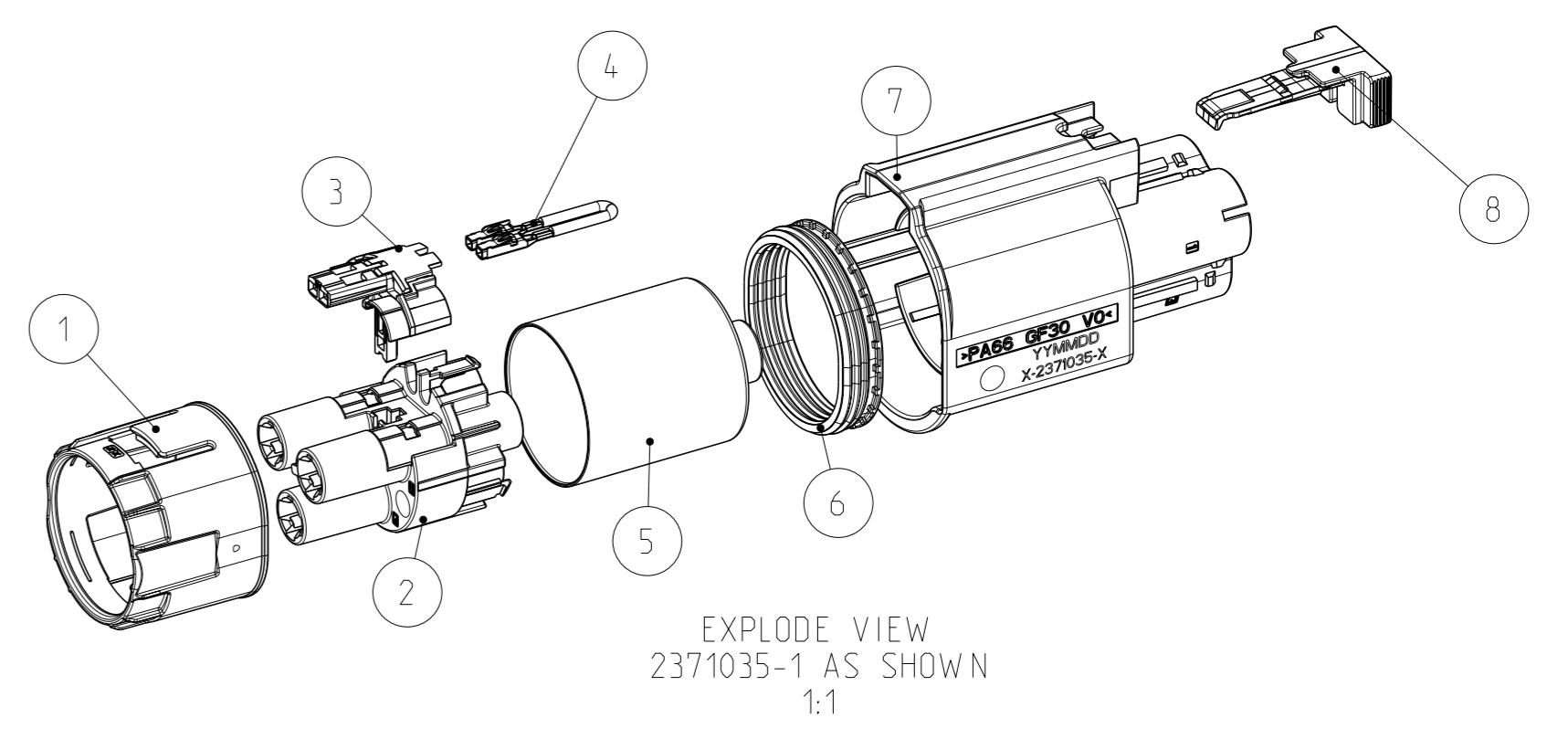
1:1  
2371035-1 AS SHOWN



1:1  
1-2371035-1 AS SHOWN



1:1  
2-2371035-1 AS SHOWN



EXPLODE VIEW  
2371035-1 AS SHOWN  
1:1

|  |  |                         |  |
|--|--|-------------------------|--|
| THIS DRAWING IS A CONTROLLED DOCUMENT. |  | OWN: Y. YANG 06MAY2020  |  |
| DIMENSIONS: mm                         |  | CHK: E. JIANG 21MAY2020 |  |
| TOLERANCES UNLESS OTHERWISE SPECIFIED: |  | APVD: L. XIN 21MAY2020  | NAME: PLUG ASSEMBLY HD400, 2POS / 3POS CONNECTOR |
| 0 PLC ±                                |  | PRODUCT SPEC            | SIZE: 108-160170                                 |
| 1 PLC ±                                |  | APPLICATION SPEC        | SCALE: 2:1                                       |
| 2 PLC ±                                |  | 114-160093              | SHEET 1 OF 1                                     |
| 3 PLC ±                                |  | WEIGHT                  | REV C  |
| 4 PLC ±                                |  | FINISH                  |  |
| ANGLES ±2°                             |  | CUSTOMER DRAWING        |  |