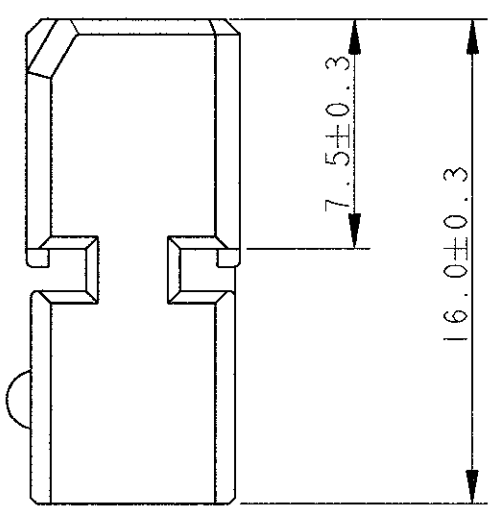
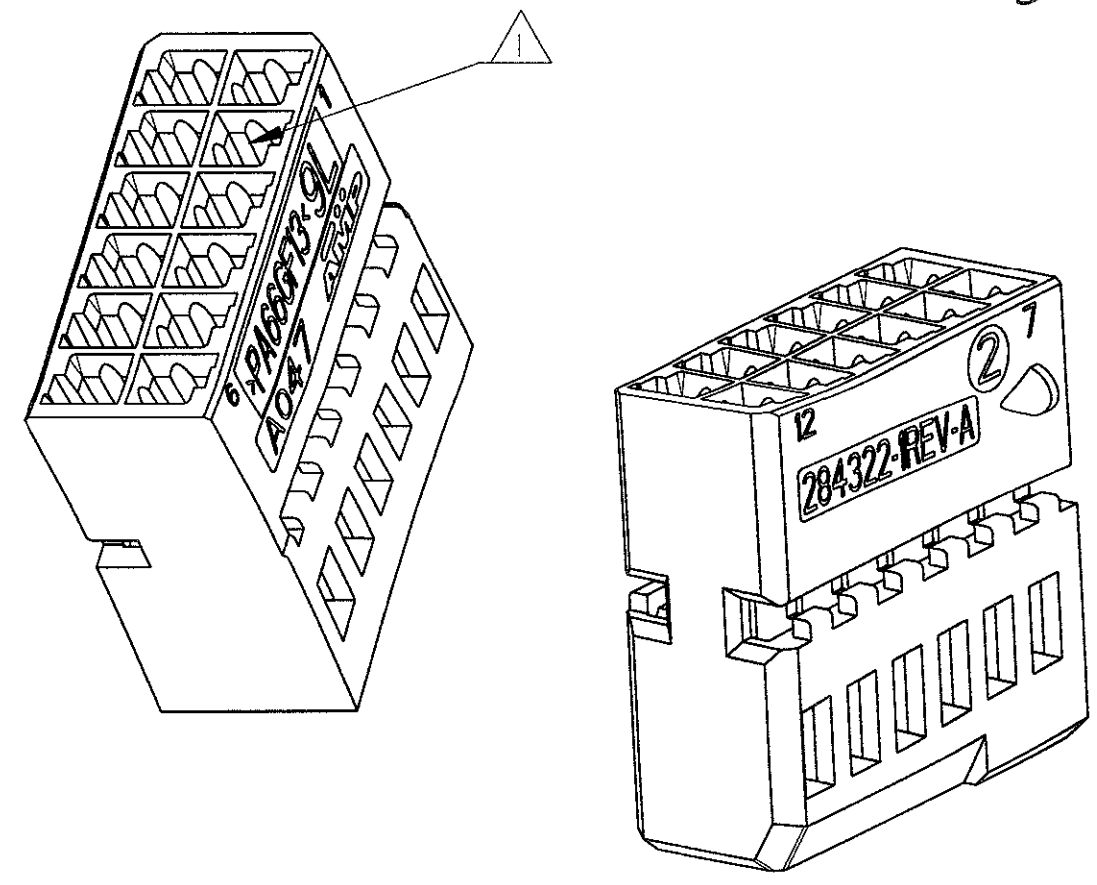
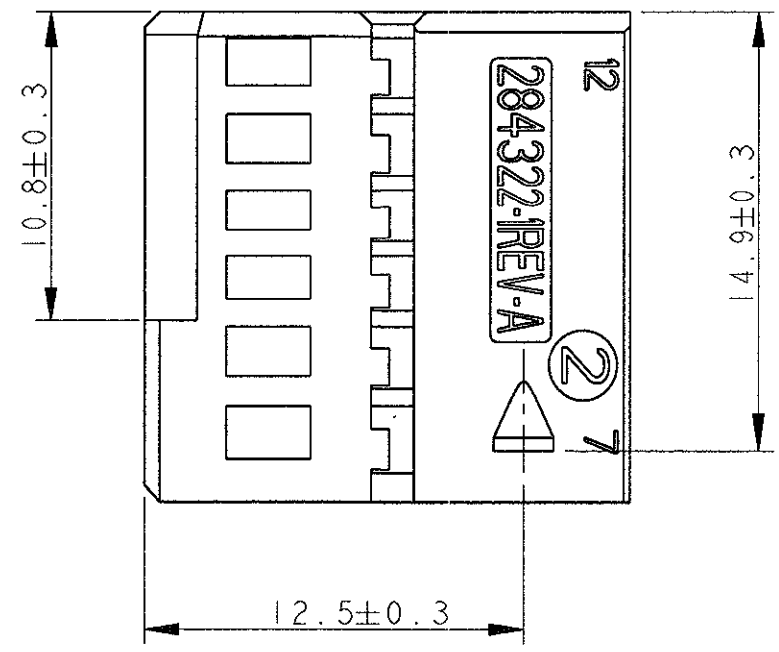
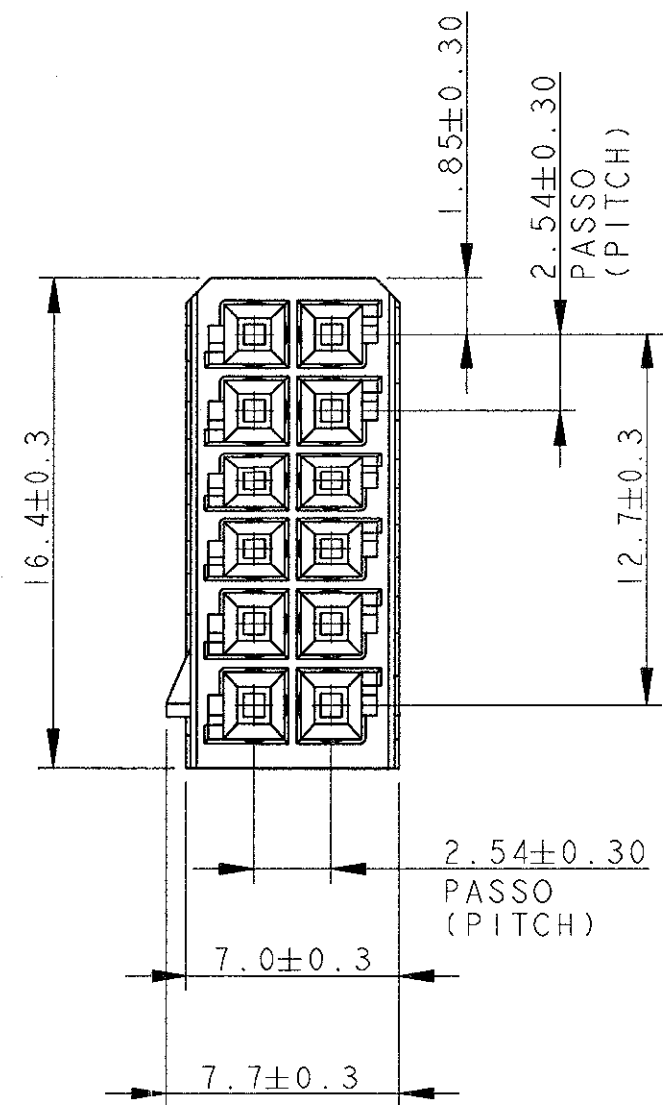


LOC	DIST	REVISIONS			
P	LTR	DESCRIPTION	DATE	DWN	APVD
0		PRELIMINARY ISSUE	15DEC98	G.S.	O.C.
A		FIRST ISSUE WITH ET00-0404-99	13JAN00	M.P.	O.C.
A1		RELEASED FOR PRODUCTION ET00-0121-00	15MAY00	M.S.	O.C.
A2		CORRECTED MISTAKE ET00-0006-01	080JAN01	M.S.	O.C.



- ① CAVITA' ADATTA PER CONTATTI MICRO QUADLOK SYSTEM P/N 928999-1 E P/N 963715-1. (CAVITIES SUITABLE FOR MICRO QUADLOK SYSTEM CONTACT P/N 928999-1 AND P/N 963715-1).
- ② MATERIALE: PA 6.6-G.F. CARICATO VETRO, COLORE NERO (MATERIAL: PA 6.6-G.F. FILLED, COLOUR BLACK).
- 3) BLOCCETTO ADATTO PER CORAZZA P/N 284321-1
PLUG HOUSING SUITABLE FOR COVER P/N 284321-1

284322-1 COME MOSTRATO (AS SHOWN)

THIS DRAWING IS A CONTROLLED DOCUMENT FOR AMP INCORPORATED. IT IS SUBJECT TO CHANGE AND THE CONTROLLING ENGINEERING ORGANIZATION SHOULD BE CONTACTED FOR THE LATEST REVISION.		DWN M. PALMA 13JAN00	AMP AMP Italia S.p.A. Collegno, C.so F.lli Cervi 15 (TO)
DIMENSIONS: mm		CHK O. CANUTO 13JAN00	
TOLERANCES UNLESS OTHERWISE SPECIFIED:		APVD A. GENTA 13JAN00	NAME HOUSING 12 POS 2.54 mm PITCH FOR STEERING SWITCH
0 PLC ±0.3 1 PLC ±0.3 2 PLC ± 3 PLC ± 4 PLC ± ANGLES ±2°		PRODUCT SPEC	SIZE A3
MATERIAL NOTE ②	FINISH NOTE ②	APPLICATION SPEC 411-15565	CAGE CODE 00779
		WEIGHT 2.0 g	DRAWING NO C-284322
		CUSTOMER DRAWING	SCALE 4:1 SHEET 1 OF 1 REV A2