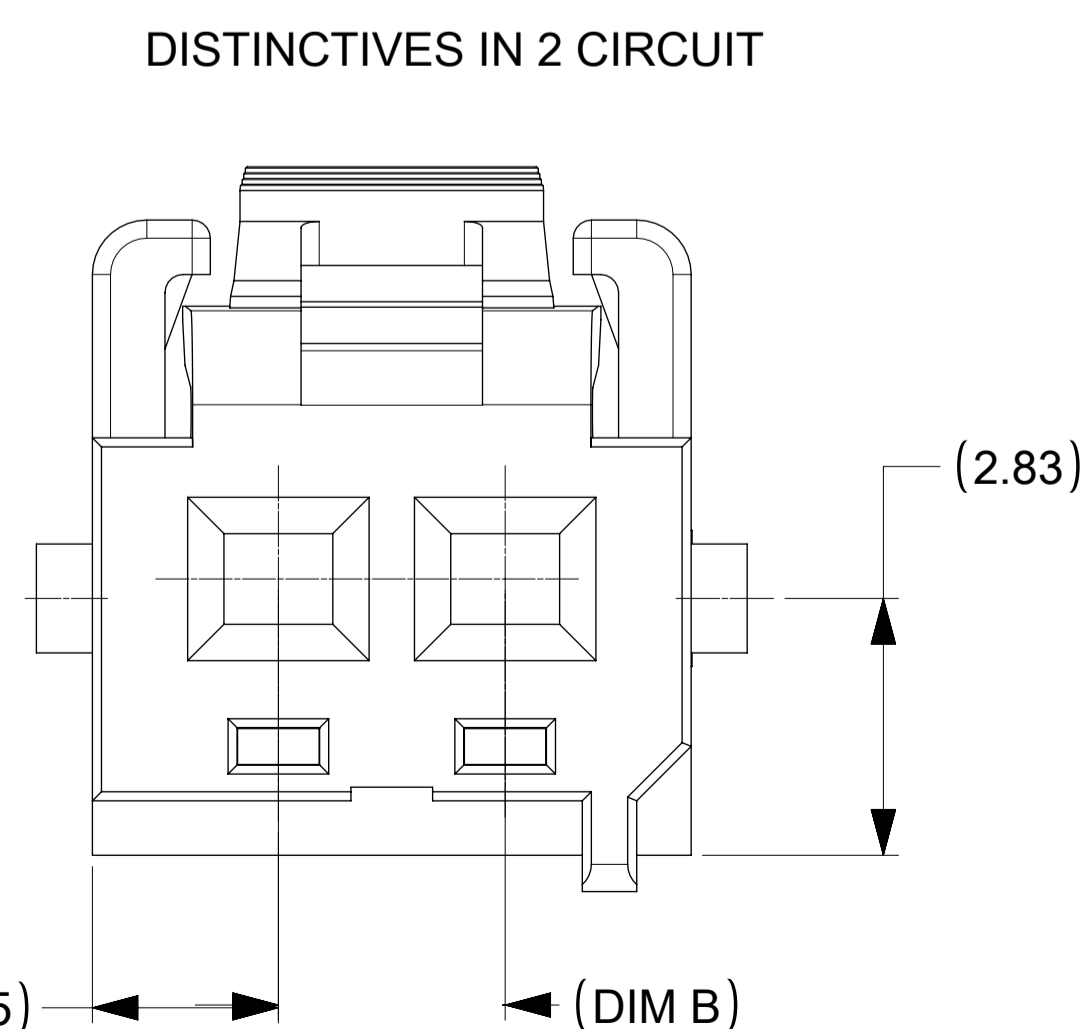
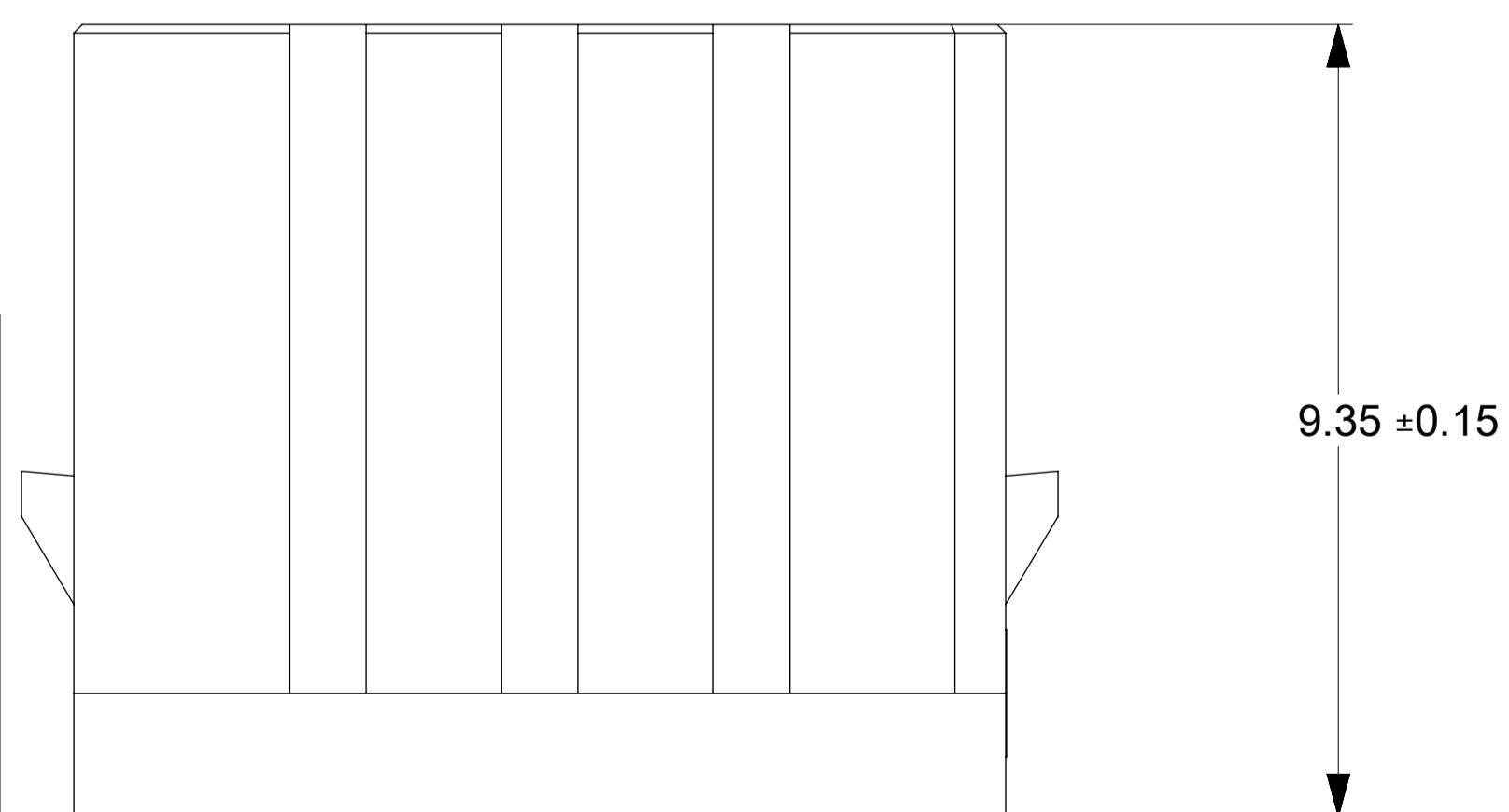
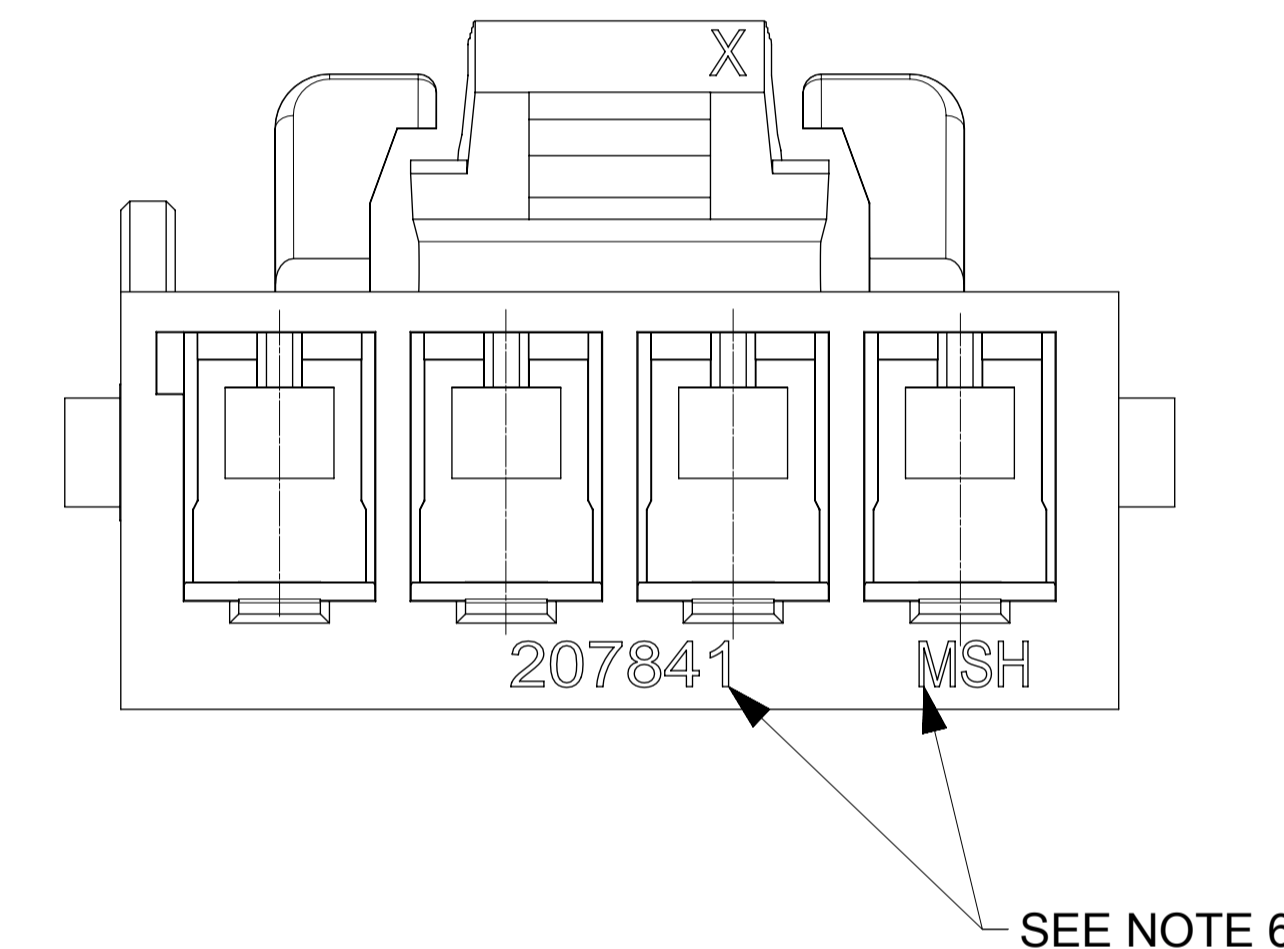
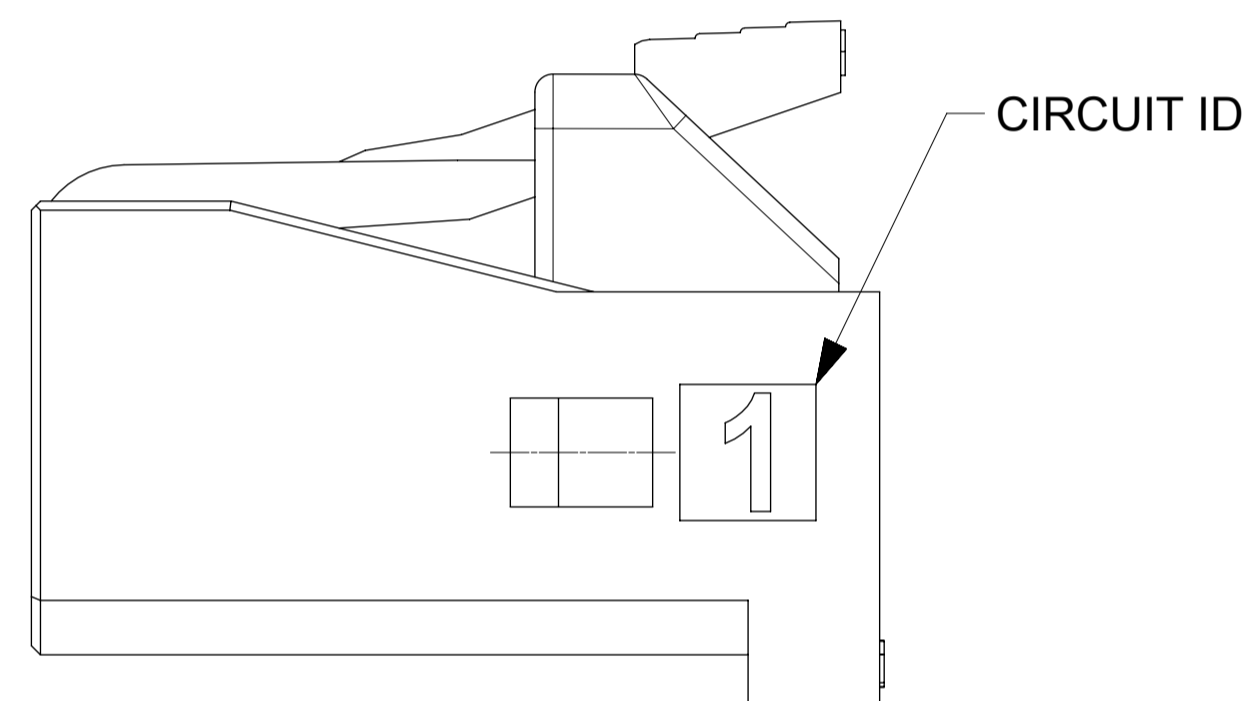
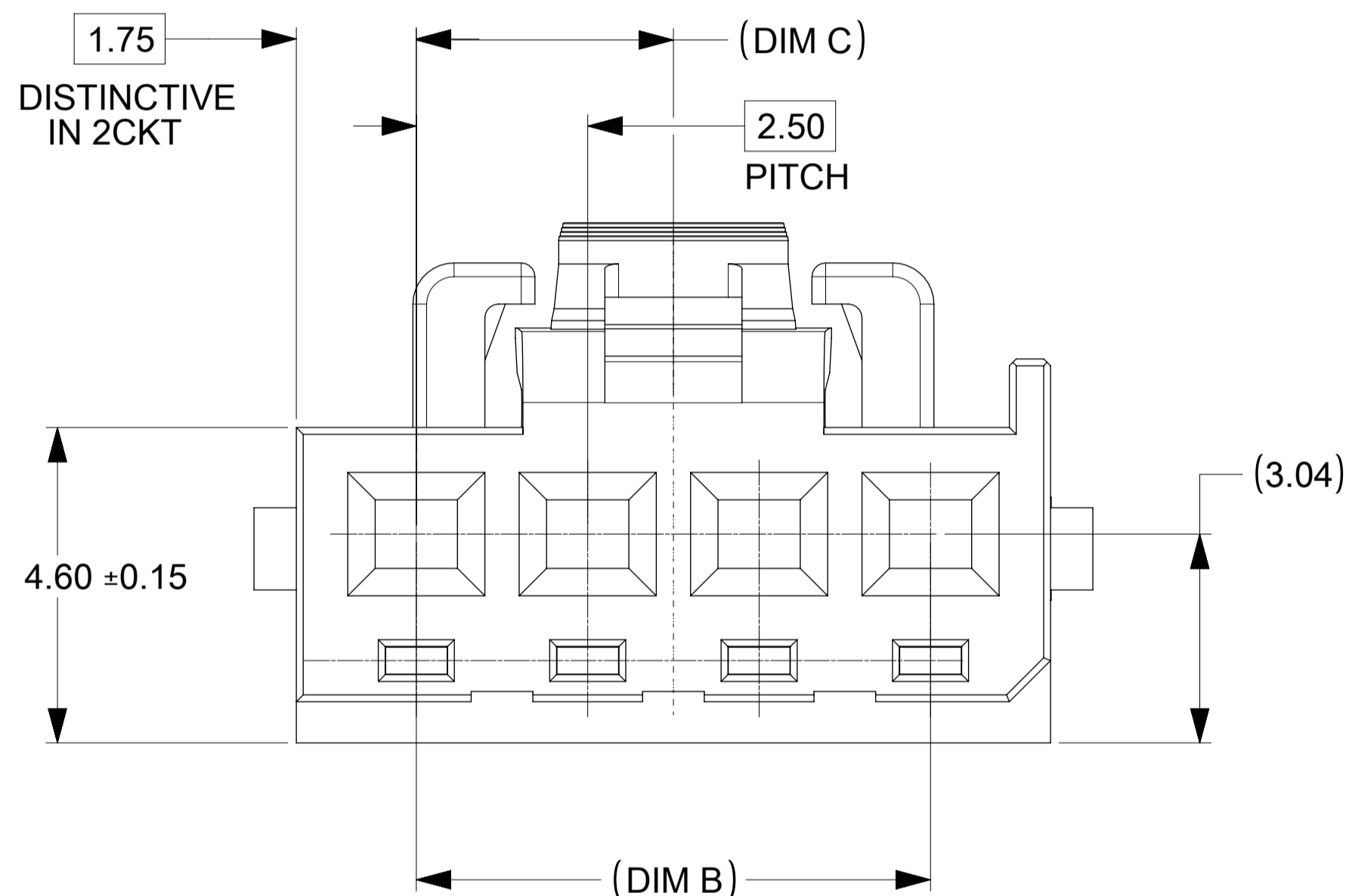


ISOMETRIC VIEW FOR 4 CIRCUIT



DISTINCTIVES IN 2 CIRCUIT

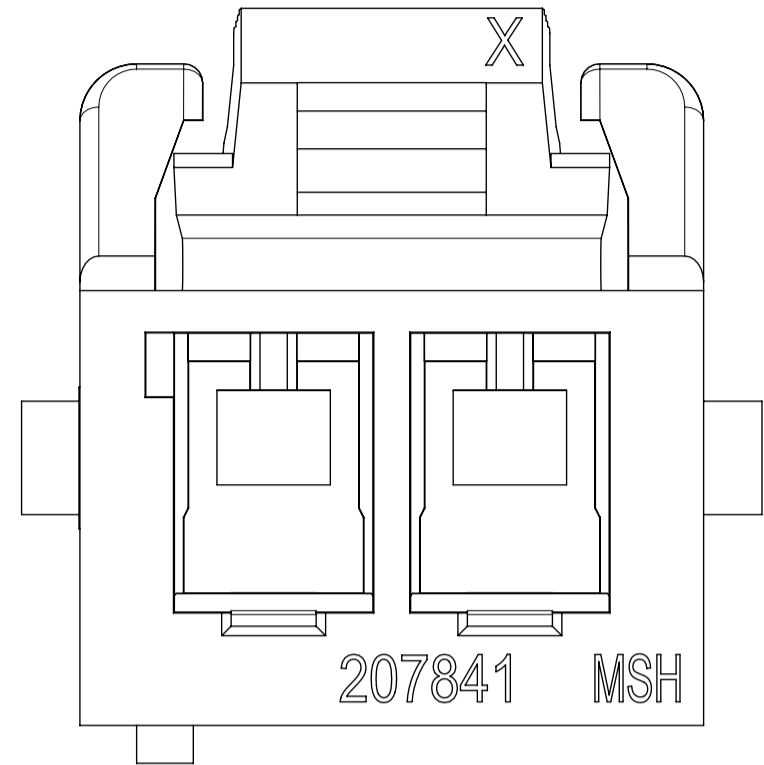
- NOTES:
 1. MATERIAL: PA66, UL 94V-0, COLOR-BLACK
 2. PRODUCT SPECIFICATION: 2079020001-PS
 3. PACKAGING SPECIFICATION: 2078410000-PK
 4. COSMETIC SPECIFICATION: PS-45499-002 CLASS B
 5. HOUSING ACCEPTS TERMINALS FROM 46626 SERIES
 6. MOLEX LOGO AND SERIES ID

CKT	PART NUMBER	DIM.A	DIM. B	DIM. C
02	2078410002	6.61	2.50	1.25
03	2078410003	8.50	5.00	2.50
04	2078410004	11.00	7.50	3.75
05	2078410005	13.50	10.00	5.00
06	2078410006	16.00	12.50	6.25
07	2078410007	18.50	15.00	7.50
08	2078410008	21.00	17.50	8.75

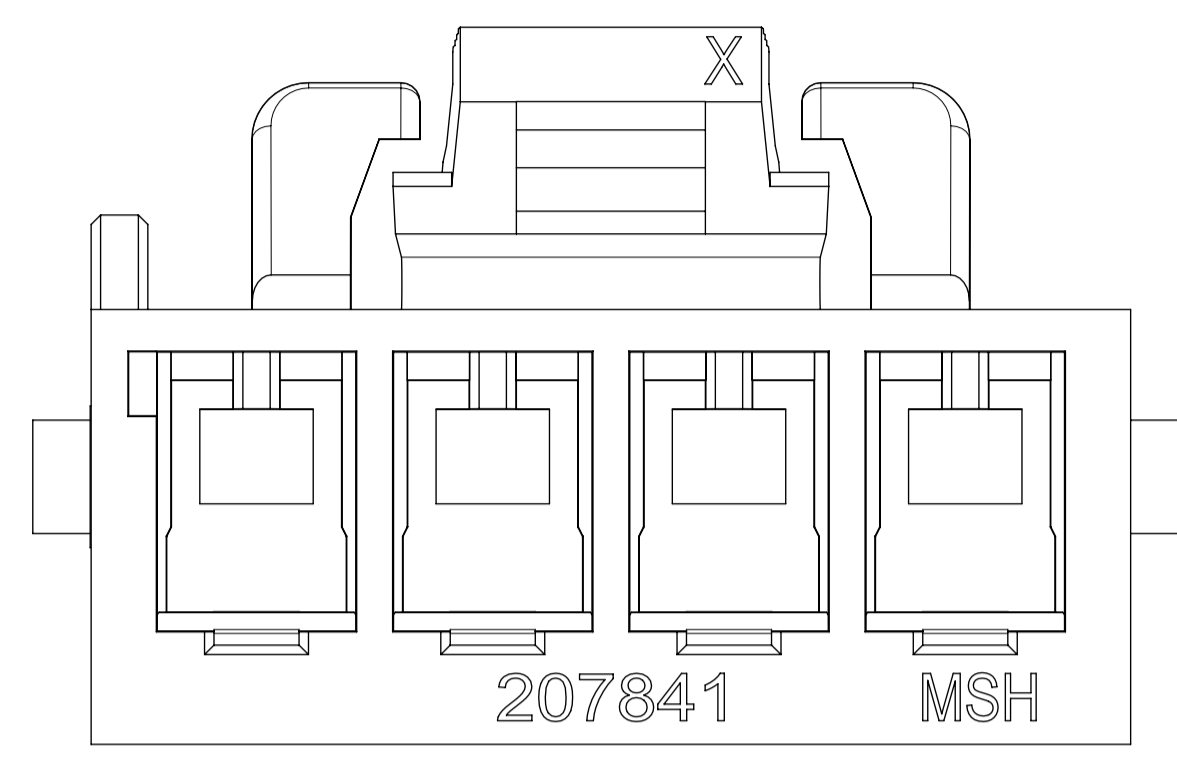
SYMBOLS ▽ = 0 DIMENSION UNITS ▽ = 0 mm ▽ = 0 SCALE 10:1 ▽ = 0 GENERAL TOLERANCES (UNLESS SPECIFIED) ▽ = 0 ANGULAR TOL ± 0.5° ▽ = 0 4 PLACES ± ▽ = 0 3 PLACES ± ▽ = 0 2 PLACES ± 0.25 ▽ = 0 1 PLACE ± 0.3 ▽ = 0 0 PLACES ± ▽ = 0 DRAFT WHERE APPLICABLE MUST REMAIN WITHIN DIMENSIONS	THIS DRAWING CONTAINS INFORMATION THAT IS PROPRIETARY TO MOLEX ELECTRONIC TECHNOLOGIES, LLC AND SHOULD NOT BE USED WITHOUT WRITTEN PERMISSION		CURRENT REV DESC: EC NO: 706742 DRWN: SHRUTJ 2022/04/20 CHK'D: SHRUTJ 2022/05/13 APPR: ISHWARG 2022/05/13				
	INITIAL REVISION: DRWN: SUDAYGUNAGI 2018/06/18 APPR: ISHWARG 2019/02/20		RECEPTACLE HOUSNG FOR KK PLUS 250				
PRODUCT CUSTOMER DRAWING			DOCUMENT NUMBER 2078410004-SD		DOC TYPE PSD	DOC PART 000	REVISION A2
THIRD ANGLE PROJECTION 		DRAWING A1-SIZE	SERIES 207841	MATERIAL NUMBER	CUSTOMER	SHEET NUMBER 1 OF 2	

POLARIZATION

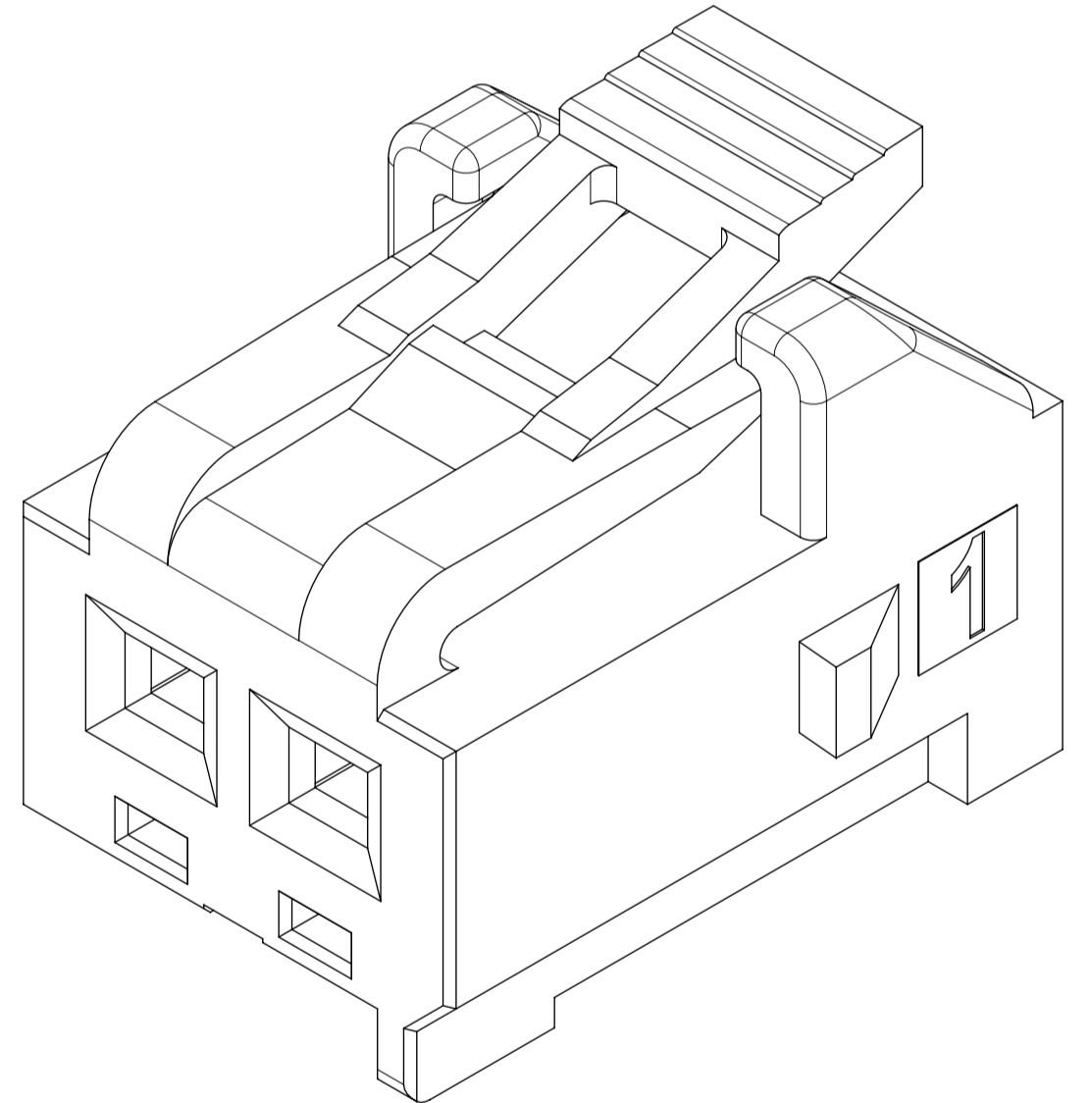
2 & 3 CKT



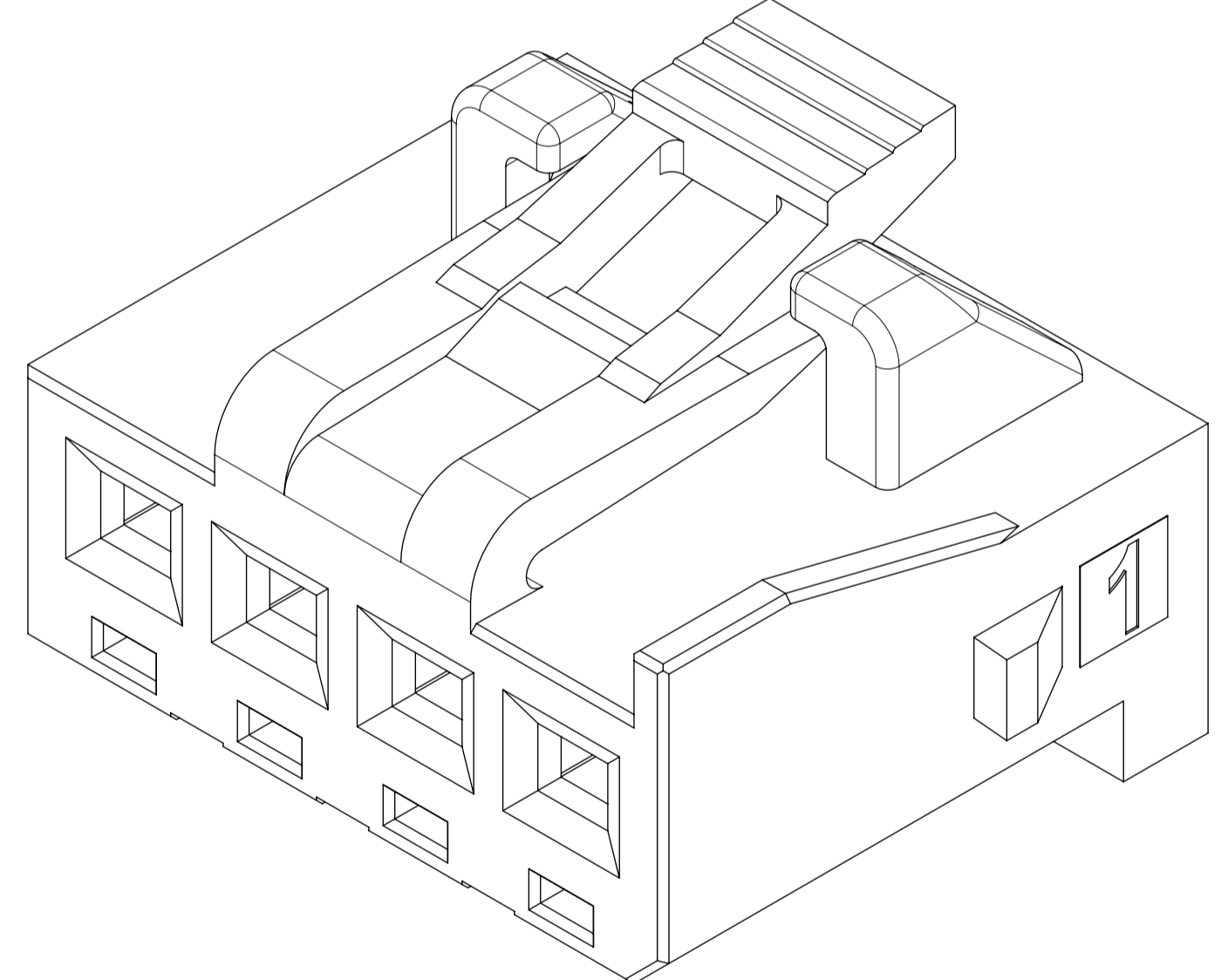
4 TO 10 CKT



ISOMETRIC OF 2 & 3 CKT



ISOMETRIC OF 4 TO 10 CKT



SYMBOLS = 0 = 0 = 0 = 0 = 0 = 0 = 0 = 0 = 0 = 0	THIS DRAWING CONTAINS INFORMATION THAT IS PROPRIETARY TO MOLEX ELECTRONIC TECHNOLOGIES, LLC AND SHOULD NOT BE USED WITHOUT WRITTEN PERMISSION DIMENSION UNITS: mm SCALE: 10:1	CURRENT REV DESC: EC NO: 706742 DRWN: SHRUTJ 2022/04/20 CHK'D: SHRUTJ 2022/05/13 APPR: ISHWARG 2022/05/13	 RECEPTACLE HOUSING FOR KK PLUS 250					
	GENERAL TOLERANCES (UNLESS SPECIFIED) ANGULAR TOL ± 0.5° 4 PLACES ± 3 PLACES ± 2 PLACES ± 0.25 1 PLACE ± 0.3 0 PLACES ±			INITIAL REVISION: DRWN: SUDAYGUNAGI 2018/06/18 APPR: ISHWARG 2019/02/20				
DRAFT WHERE APPLICABLE MUST REMAIN WITHIN DIMENSIONS		THIRD ANGLE PROJECTION	DRAWING: A1-SIZE	SERIES: 207841	DOCUMENT NUMBER: 2078410004-SD	DOC TYPE: PSD	DOC PART: 000	REVISION: A2
DOCUMENT STATUS: P1	RELEASE DATE: 2022/05/13 14:35:39	MATERIAL NUMBER:		CUSTOMER:		SHEET NUMBER: 2 OF 2		