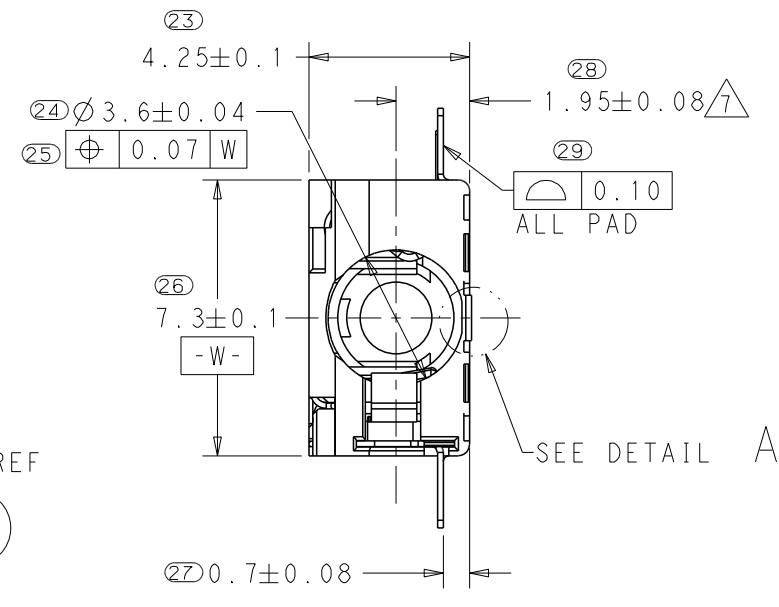
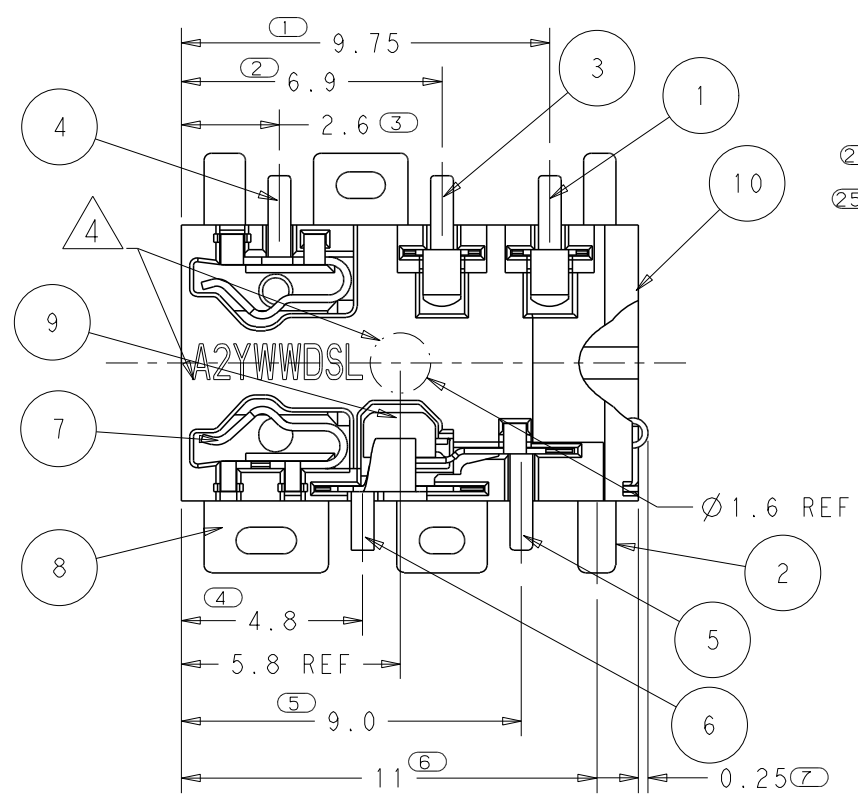
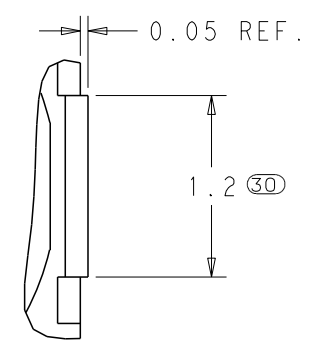


LOC	DIST	REVISIONS			
P	LTR	DESCRIPTION	DATE	DWN	APVD
ES	00	A	INITIAL RELEASE	19MAY2015	B.L J.L



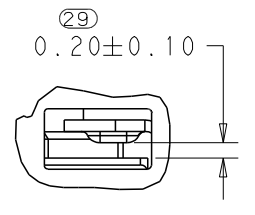
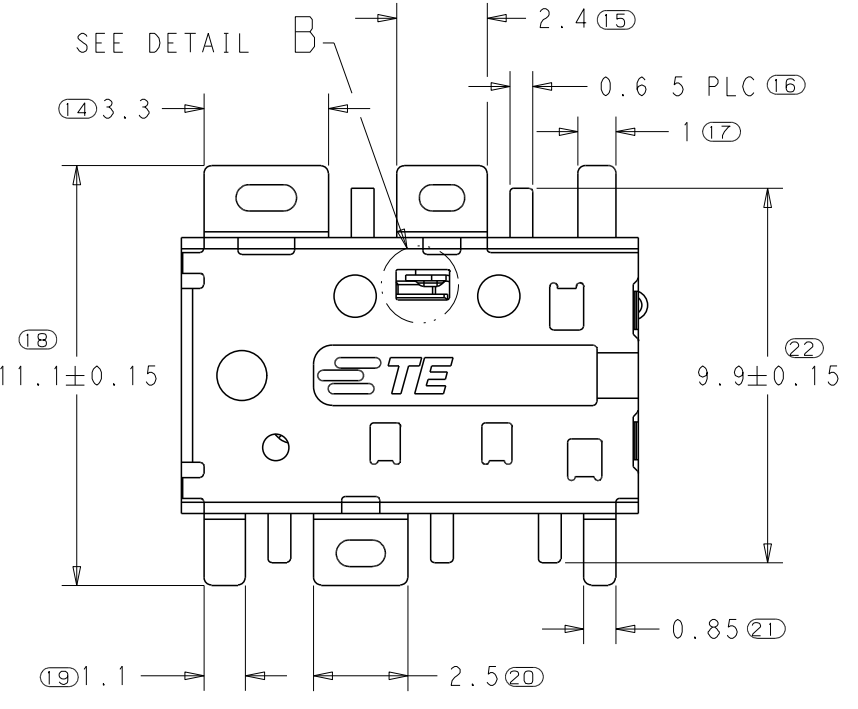
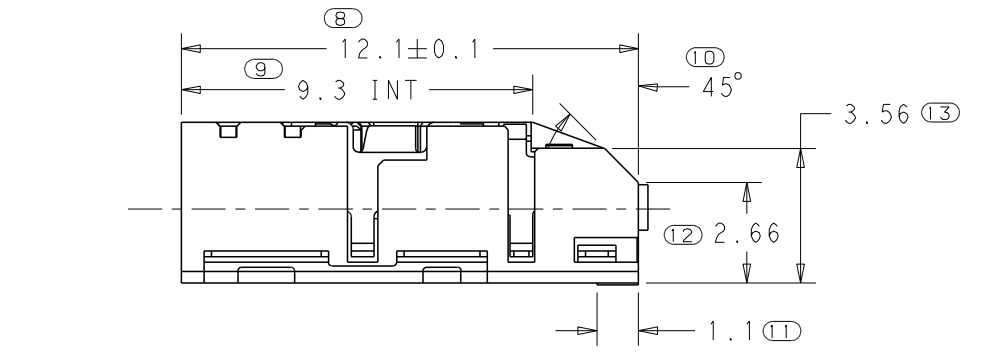
NOTE:  
 1. MATERIAL: PLEASE SEE THE TABLE.  
 2. FINISH:  
 CONTACT: 0.3um MIN. PdNi AND GOLD FLASH ON CONTACT SURFACE AND GOLD FLASH PLATING ON SOLDERING SURFACE.  
 ALL OVER 1.3um MIN. NICKEL UNDERPLATING.  
 RETENTION CONTACT NO NEED PLATING.  
 FRAME: 1.3um Min TIN PLATING OVER ALL AND 1.3um Min. NICKEL UNDER PLATING.  
 3. COPLANARITY: 0.10 MAX. AMONG ALL SOLER TAILS.  
 ▲ INDICATED SURFACE TO BE USED AS PICK UP AND DATE CODE MARKING AREA.  
 DATE CODE: "A2YWWDSL"  
 V1=VERSION NO. FOR EXAMPLE: P1, V1, A1  
 P=PROTO TOOL; V=PRODUCTION TOOL; A=MASS APPROVED.  
 YWWD=PRODUCTION DATE (YEAR, WEEK, DAY)  
 S=SHIFT (D=DAY, N=NIGHT); L=LINE NUMBER.  
 5. PACKAGING: TAPE & REEL.



DETAIL A  
 SCALE 20:1

2199088-2: AS SHOWN

ITEM	DESCRIPTION	QTY	MATERIAL	FINISH
10	HOUSING	1	THERMOPLASTIC	-
9	SWITCH HOUSING	1	THERMOPLASTIC	-
8	FRAME SHELL	1	STAINLESS STEEL	SEE NOTE
7	RETENTION CONTACT	1	STAINLESS STEEL	SEE NOTE
6	PLUG DET CONTACT	1	COPPER ALLOY	SEE NOTE
5	SWITCH CONTACT	1	COPPER ALLOY	SEE NOTE
4	LEFT AUDIO CONTACT	1	COPPER ALLOY	SEE NOTE
3	RIGHT AUDIO CONTACT	1	COPPER ALLOY	SEE NOTE
2	GND CONTACT	1	COPPER ALLOY	SEE NOTE
1	MIC CONTACT	1	COPPER ALLOY	SEE NOTE



DETAIL B  
 SCALE 10:1

THIS DRAWING IS A CONTROLLED DOCUMENT.

DWN	BILL LV	19MAY2015
CHK	HAPYE WU	19MAY2015
APVD	JASON LU	19MAY2015
PRODUCT SPEC	108-115041-1	
APPLICATION SPEC		
WEIGHT	0.5087	

NAME: ASSEMBLY FOR 3.5mm Mid-mount AV Connector

SIZE: A3 CAGE CODE: 300779 DRAWING NO: C-2199088 RESTRICTED TO: A

CUSTOMER DRAWING SCALE: 5:1 SHEET: 1 OF 3 REV: A

4

3

2

1

THIS DRAWING IS UNPUBLISHED.

RELEASED FOR PUBLICATION

20

© COPYRIGHT 20

TE

ALL RIGHTS RESERVED.

LOC

DIST

REVISIONS

ES

00

P

LTR

DESCRIPTION

DATE

DWN

APVD

CONTACT NO.	DEFINITION	FOOTPRINT
⑥	PLUGDET	g
⑤	SWITCH	f
④	HS EAR L	e
③	HS EAR R	d
①	HS MIC	c
②	HS GND	b

CIRCUIT DIAGRAM  
OMTP STANDARD

CONTACT NO.	DEFINITION	FOOTPRINT
⑥	PLUGDET	g
⑤	SWITCH	f
④	HS EAR L	e
③	HS EAR R	d
①	HS GND	c
②	HS MIC	b

CIRCUIT DIAGRAM  
AHJ STANDARD

Dimensions: 10.05, 8.85, 6, 2.9, 1.7, 6X1.55, 1.4, 2.8, 1.15, 11.4, 5X0.9, 7.7, 8.3, 3.6, 1.3, 2XR0.4, 3.9, 5.1, 8.1, 9.9, 5X1.25.

SCALE 5:1

PCB LAYOUT  
RECOMMENDED DIMENSION TOLERANCE IS +/-0.05

2.0 REF.

AFTER PLUG FULL MATING

THIS DRAWING IS A CONTROLLED DOCUMENT.

DWN 19MAY2015

CHK BILL LV 19MAY2015

HAPYE WU 19MAY2015

APVD JASON LU 19MAY2015

PRODUCT SPEC

108-115041-1

APPLICATION SPEC

-

WEIGHT 0.5087

TE Connectivity

NAME

ASSEMBLY FOR  
3.5mm Mid-mount AV Connector

SIZE

CAGE CODE

DRAWING NO

RESTRICTED TO

A

300779

C=2199088

CUSTOMER DRAWING

SCALE 5:1

SHEET 2 OF 3

REV A

DIMENSIONS:

mm

TOLERANCES UNLESS  
OTHERWISE SPECIFIED:

0 PLC	±0.2
1 PLC	±0.15
2 PLC	±0.15
3 PLC	±0.05
4 PLC	±0.01
ANGLES	±2

MATERIAL SEE TABLE

FINISH -

1470-19 (3/11)

4

3

2

1

THIS DRAWING IS UNPUBLISHED.

RELEASED FOR PUBLICATION

20

© COPYRIGHT 20 TE

ALL RIGHTS RESERVED.

LOC	DIST	REVISIONS					
ES	00	P	LTR	DESCRIPTION	DATE	DWN	APVD
				SEE SHEET 1			

SCALE 2:1

➔  
USER DIRECTION  
OF UNREELING

WITHOUT CHARGE 20PCS REF    WITH PRODUCT CHARGE 850PCS    WITHOUT CHARGE 20PCS REF

PACKING QUANTITY		
PCS/REEL	REEL/BOX	PCS/BOX
850	10	8500

THIS DRAWING IS A CONTROLLED DOCUMENT.		DWN	19MAY2015	 TE Connectivity	NAME ASSEMBLY FOR 3.5mm Mid-mount AV Connector
		CHK	19MAY2015		
		APVD	19MAY2015		
		PRODUCT SPEC	JASON LU		
DIMENSIONS: mm		TOLERANCES UNLESS OTHERWISE SPECIFIED:		NAME	
		0 PLC	±0.2	SIZE	
		1 PLC	±0.15	CAGE CODE	
		2 PLC	±0.15	DRAWING NO	
		3 PLC	±0.05	RESTRICTED TO	
		4 PLC	±0.01	A 300779 ©=2199088	
		ANGLES	±2	SCALE 5:1	
MATERIAL SEE TABLE		FINISH	-	SHEET 3 OF 3	
		WEIGHT 0.5087		REV A	
		CUSTOMER DRAWING			

1470-19 (3/11)