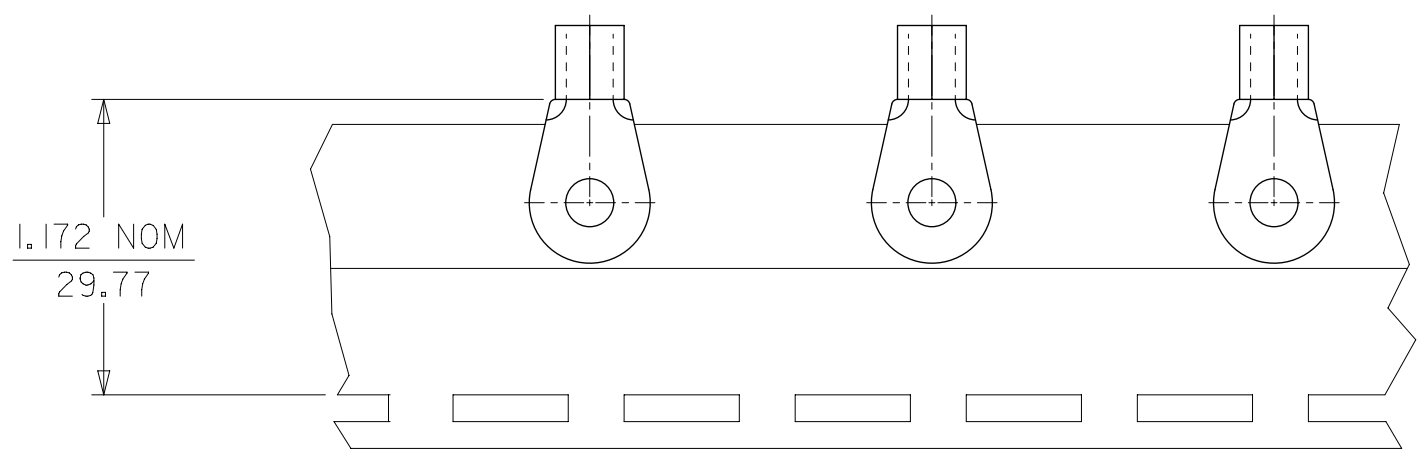
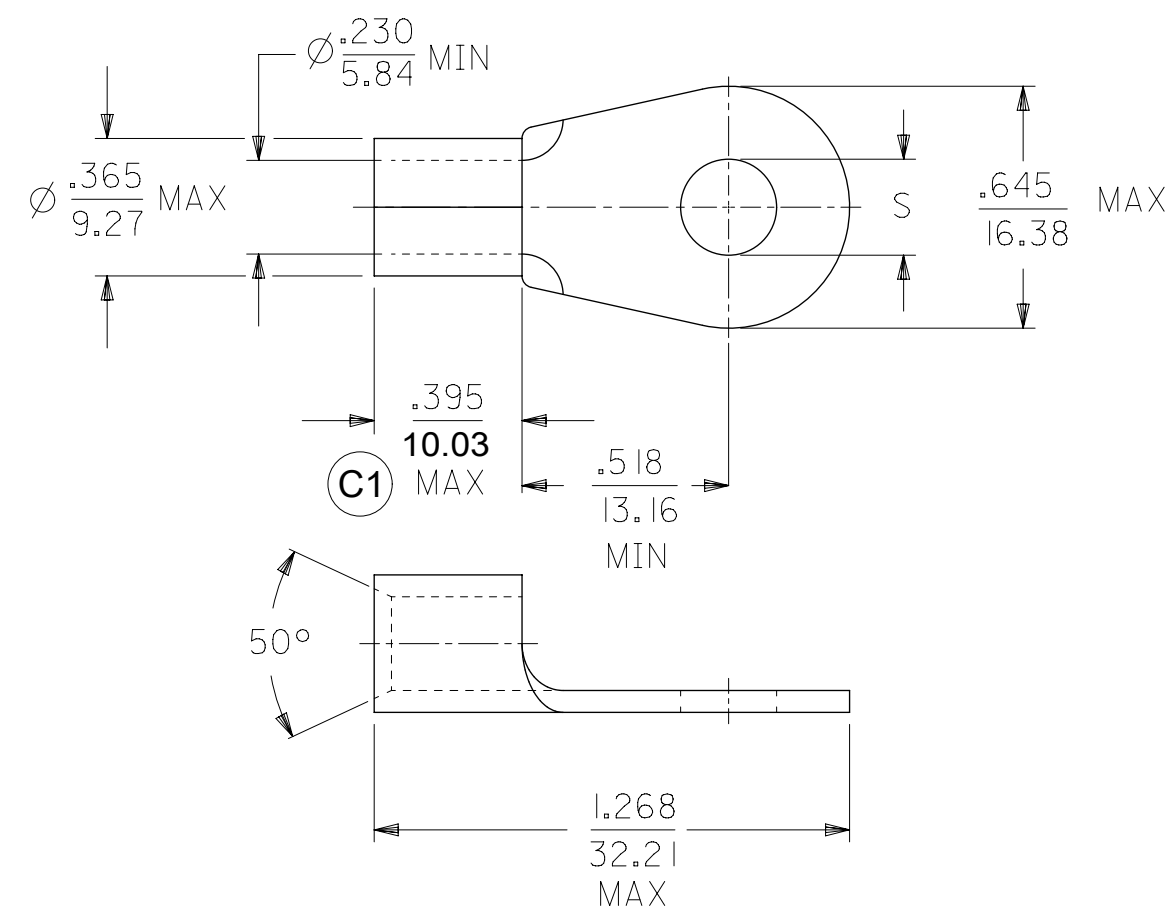


MATERIAL NUMBER	ENGINEERING NUMBER	STUD SIZE	"S"	PACKAGING
191930206	E-357-08	8	.173/(4.39)	LOOSE PIECE
191930209	E-357-10	10	.198/(5.02)	
191930212	E-357-14	1/4	.265/(6.73)	
191930219	E-357-56	5/16	.328/(8.33)	
191930216	E-357-38	3/8	.390/(9.90)	
191930223	E-357-76	7/16	.453/(11.50)	
191930208	E-357-08T	8	.173/(4.39)	TAPE MOUNTED
191930215	E-357-14T	1/4	.265/(6.73)	
191930222	E-357-56T	5/16	.328/(8.33)	
191930218	E-357-38T	3/8	.390/(9.90)	
191930224	E-357-76T	7/16	.453/(11.50)	



PARTS ON TAPE  
DOUBLE SPACED AS SHOWN



SALES DRAWING

- NOTE(S):
1. MATERIAL: COPPER .050/(1.27) THICK
  2. PLATING: ELECTROPLATE TIN
  3. ALL DIMENSIONS IN INCHES/(MM).
  4. WIRE SIZE: 6 AWG  
16 MM<sup>2</sup>
  5. PART IS ROHS COMPLIANT.

THIS DRAWING CONTAINS INFORMATION THAT IS PROPRIETARY TO MOLEX ELECTRONIC TECHNOLOGIES, LLC AND SHOULD NOT BE USED WITHOUT WRITTEN PERMISSION											
DIMENSION UNITS INCH/MM		SCALE NTS		CURRENT REV DESC: CORRECTED MM CONVERSION, WAS .395/9.65				<b>molex</b>			
GENERAL TOLERANCES (UNLESS SPECIFIED)						RING TONGUE TERMINAL VERSAKRIMP 6 AWG					
4 PLACES ±		±		EC NO: 739179				PRODUCT CUSTOMER DRAWING			
3 PLACES ±		± 0.005		DRWN: DEANNM1 2023/02/17				DOCUMENT NUMBER			
2 PLACES ±		± 0.13 ± 0.01		CHK'D: JMACNEIL 2023/02/17				SD-19193-015			
1 PLACE ±		±		APPR: JMACNEIL 2023/02/17				DOC TYPE DOC PART REVISION			
0 PLACES ±		±		INITIAL REVISION:				PSD 001 C1			
ANGULAR TOL ± 0.5°		±		DRWN: EDB 2000/11/01				MATERIAL NUMBER			
DRAFT WHERE APPLICABLE MUST REMAIN WITHIN DIMENSIONS		THIRD ANGLE PROJECTION		DRAWING B-SIZE		SERIES 19193		CUSTOMER GENERAL MARKET		SHEET NUMBER 1 OF 1	

DOCUMENT STATUS	P1	RELEASE DATE	2023/02/17	19:19:10
-----------------	----	--------------	------------	----------