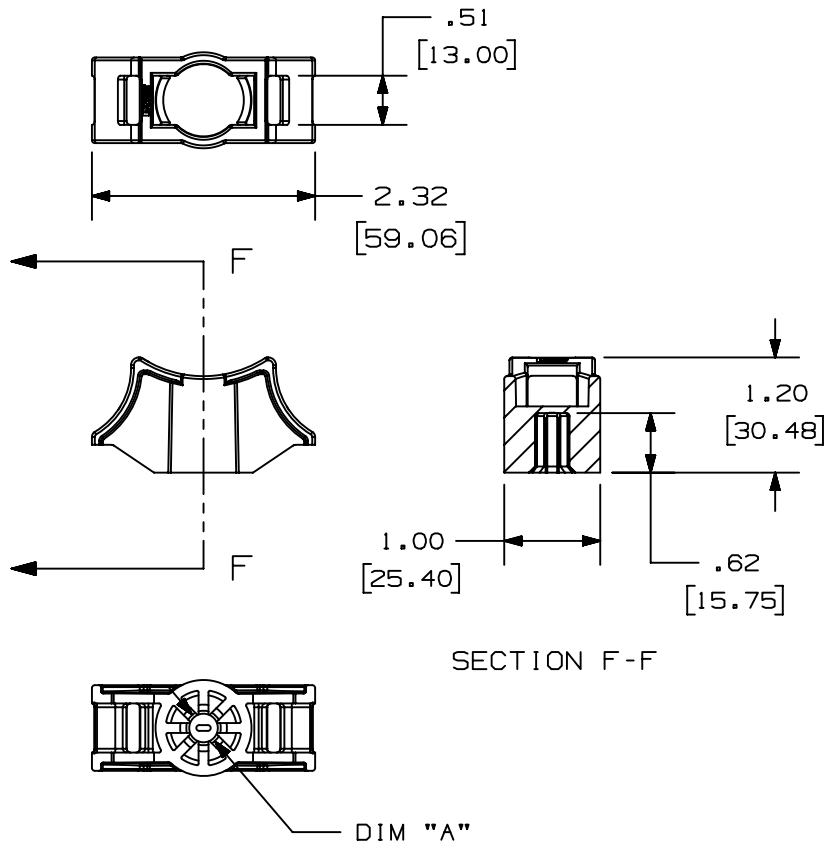


THIS COPY IS PROVIDED ON A RESTRICTED BASIS AND IS NOT TO BE USED IN ANY WAY DETRIMENTAL TO THE INTERESTS OF PANDUIT CORP.

SPIN-ON TYPE
(PART NUMBERS TMSTEHS10 THRU TMSTEHS19)
(SEE SHEET 2 FOR OTHER PART NUMBERS)



SPIN-ON TYPE MOUNT					
PANDUIT PART NUMBER	RECOMMENDED MOUNT STUD DIAMETER	MINIMUM INSTALLED STUD PROTRUSION	DIMENSION "A"	WEIGHT lbs/100 pcs. [g]/100 pcs.	FOR USE WITH THE FOLLOWING CABLE TIES
TMSTEHS5	M5	0.50 [12.70]	0.18 [4.57]	3.19 [1449.21]	MINIATURE INTERMEDIATE STANDARD LIGHT HEAVY HEAVY EXTRA HEAVY
TMSTEHS6	1/4" / M6		0.22 [5.58]	3.23 [1463.40]	
TMSTEHS8	5/16" / M8		0.30 [7.62]	3.21 [1454.26]	
TMSTEHS10	3/8" / M10		0.36 [9.14]	2.99 [1358.45]	
TMSTEHS11	7/16" / M11		0.40 [10.16]	2.95 [1339.36]	
TMSTEHS12	M12		0.45 [11.43]	2.91 [1318.46]	
TMSTEHS13	1/2"		0.49 [12.45]	2.86 [1298.98]	
TMSTEHS16	5/8" / M16		0.62 [15.75]	2.73 [1240.22]	
TMSTEHS19	3/4" / M19		0.73 [18.54]	2.60 [1179.72]	

BOLT-ON TYPE MOUNT					
PANDUIT PART NUMBER	RECOMMENDED MOUNT STUD DIAMETER	MINIMUM INSTALLED STUD PROTRUSION	DIMENSION "A"	WEIGHT lbs/100 pcs. [g]/100 pcs.	FOR USE WITH THE FOLLOWING CABLE TIES
TMSTEHS6B	1/4" / M6	0.75 [19.05]	0.26 [6.60]	3.01 [1366.79]	MINIATURE INTERMEDIATE STANDARD LIGHT HEAVY HEAVY EXTRA HEAVY
TMSTEHS8B	5/16" / M8		0.33 [8.38]	3.00 [1362.14]	

* NOTES:
1. SEE www.panduit.com FOR PART NUMBER SUFFIX DESIGNATION CONCERNING PACKAGE SIZE, PART MATERIAL AND PART COLOR.

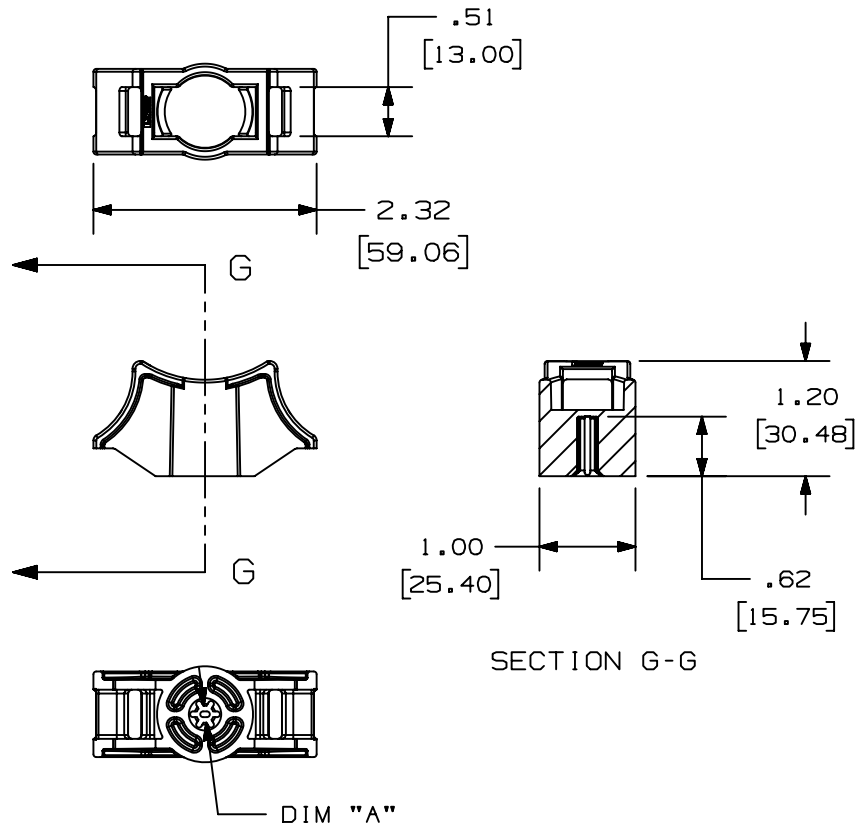
REV	DATE	BY	CHK	APR	DESCRIPTION	ECN
00	06.07.19	BDK	DAEI	TGS	RELEASED TO PRODUCTION	044032

TITLE TMSTEHS HEAVY DUTY TIE MOUNT FOR THREADED STUD CUSTOMER DRAWING					
ITEM REVISION NAME 00150EAA/00				PANDUIT	
DATASET FILE NAME 00150EAA_DC/00					
UNLESS OTHERWISE SPECIFIED, DIMENSIONAL TOLERANCES ARE: IN [mm] .X ± .XX ± .02 [.51] .XXX ± ANGES ± 1 °				MATERIAL: NYLON 6/6	
DRAWING NUMBER: 00150EAA_DC				DRAWING NUMBER: SHT 1 OF 2	
DRAWN BY BDK	DATE 04.16.19	CHK DAEI	SCALE N.T.S.	SIZE A	

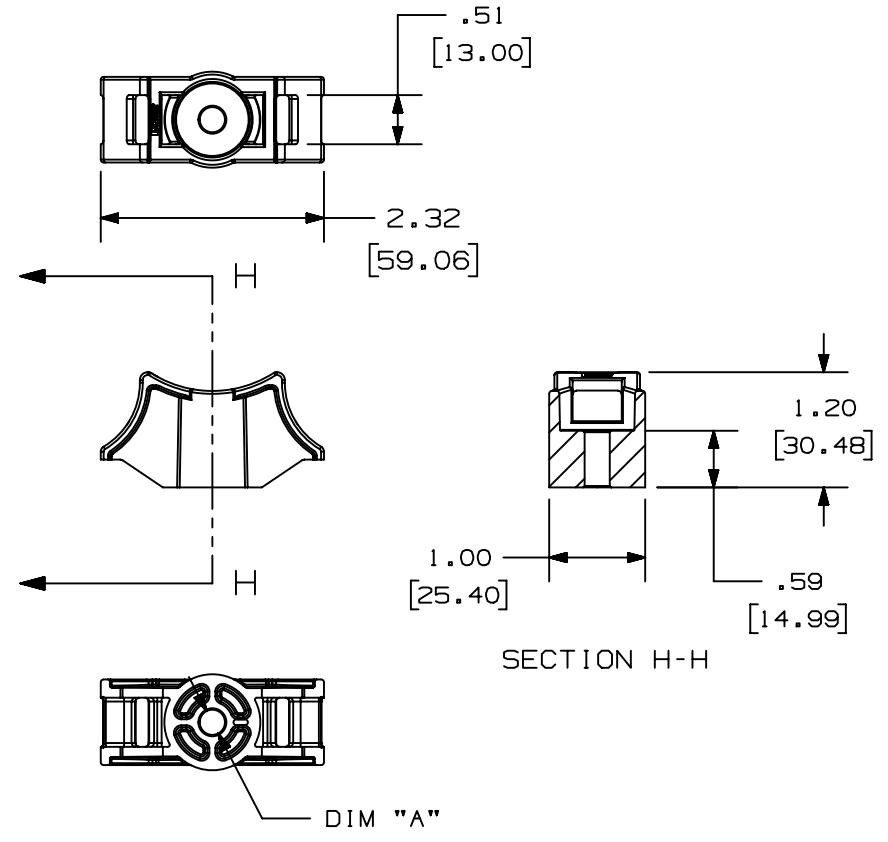
D10.100DA/20

THIS COPY IS PROVIDED ON A RESTRICTED BASIS AND IS NOT TO BE USED IN ANY WAY DETRIMENTAL TO THE INTERESTS OF PANDUIT CORP.

SPIN-ON TYPE
(PART NUMBERS TMSTEH5 THRU TMSTEH8)



BOLT-ON TYPE
(PART NUMBERS TMSTEH6B & TMSTEH8B)



B

B

A

A

00	06.07.19	BDK	DAEI	TGS	SEE SHEET 1 OF 2 FOR REVISION HISTORY			044032	
REV	DATE	BY	CHK	APR	DESCRIPTION			ECN	

<p>TITLE TMSTEH5 HEAVY DUTY TIE MOUNT FOR THREADED STUD CUSTOMER DRAWING</p>									
ITEM REVISION NAME					00150EAA/00				
DATASET FILE NAME					00150EAA_DC/00				
<p>UNLESS OTHERWISE SPECIFIED, DIMENSIONAL TOLERANCES ARE: IN [mm]</p> <p>.X ± .XX ± .02 [.51] .XXX ± ANGLES ± 1 °</p>									
DRAWN BY					MATERIAL:				
BDK					NYLON 6/6				
DATE					DRAWING NUMBER:				
04.16.19					00150EAA_DC				
CHK					THIRD ANGLE PROJECTION				
DAEI					SHT 2 OF 2				
SCALE					SIZE				
N.T.S.					A				

D10100DA/20