

E

D

C

B

A

6

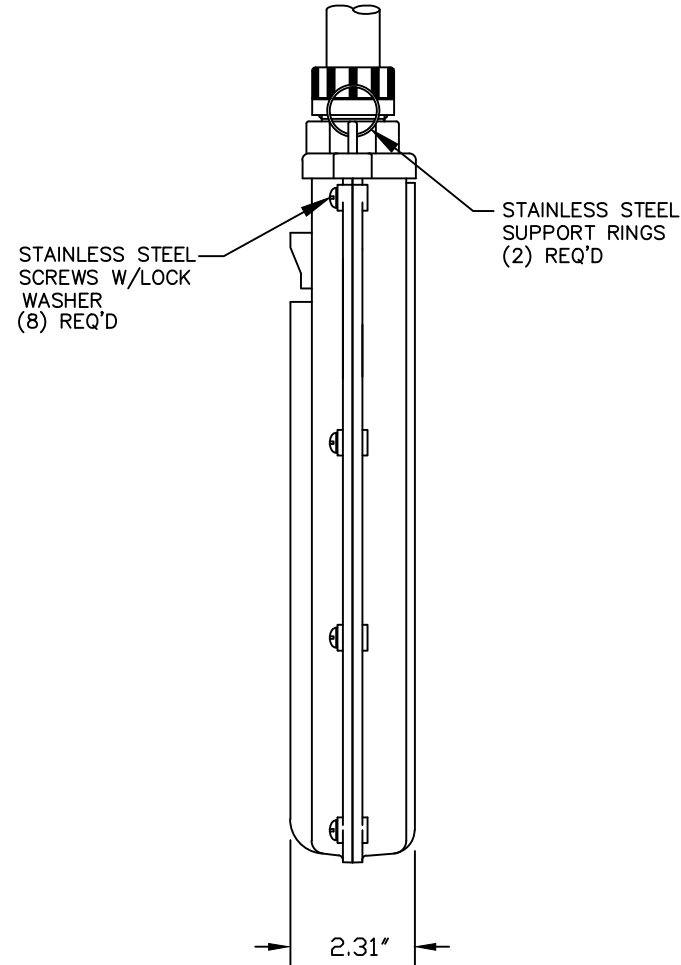
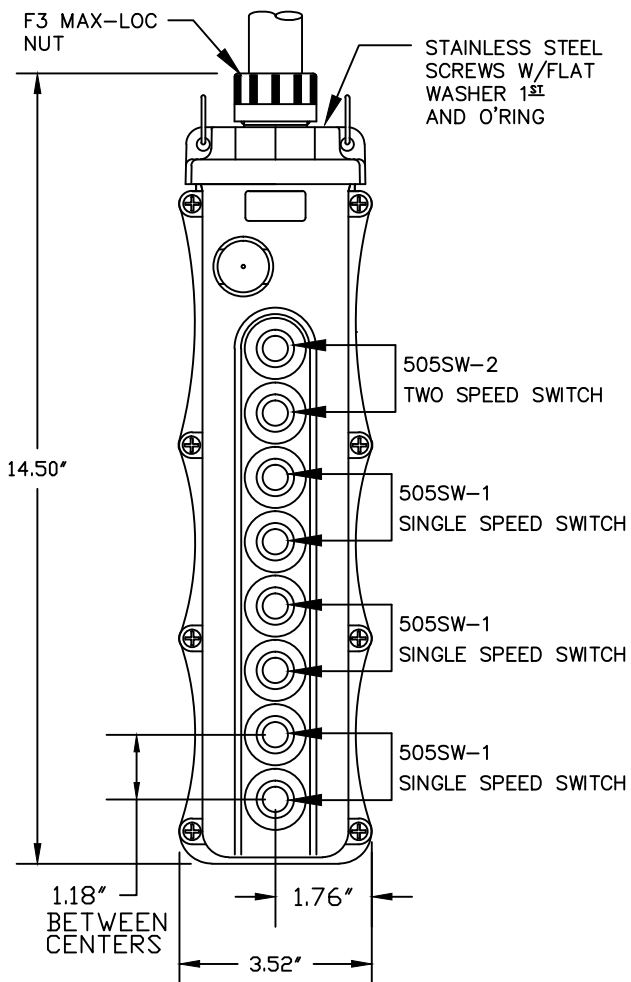
5

4

3

2

1



NOTES:

1. INSTALLATION INSTRUCTIONS, BUTTON ID. LABELS. ARE PACK WITH THE PART.
2. ALL BUTTONS ARE HIGH AMBIENT, CHEMICALLY RESISTANT MATERIAL - COLOR BLACK

DELETED 1 (3) 505SW-1 EC NO: WNA2011-0473 DRWN: HKNEELAN 3/22/11 CHKD: HKNEELAN APPR: DTITUS 2008/06/06	DESCRIPTION REV B	QUALITY SYMBOLS $\nabla=0$ $\sphericalangle=0$	GENERAL TOLERANCES (UNLESS SPECIFIED)			DIMENSION STYLE		SCALE	DESIGN UNITS	THIRD ANGLE PROJECTION			
						INCHES		NTS	INCH				
						mm	INCH	DRAWN BY DATE		TITLE			
						4 PLACES	±--	±--	TV	2008/06/06	PLASTIC PENDANT 5058 W/ 505SW-2 (3) 505SW-1		
			3 PLACES	±--	±.020	CHECKED BY DATE							
			2 PLACES	±--	±.010	HK		2008/06/06					
			1 PLACE	±--	±.005	APPROVED BY DATE							
			ANGULAR ±.5°			SZ		2008/06/06					
			DRAFT WHERE APPLICABLE MUST REMAIN WITHIN DIMENSIONS			MATERIAL NO.		DOCUMENT NO.		SHEET NO.			
						1301260290		SD-130126-012		1 OF 1			
						SIZE	THIS DRAWING CONTAINS INFORMATION THAT IS PROPRIETARY TO MOLEX INCORPORATED AND SHOULD NOT BE USED WITHOUT WRITTEN PERMISSION						
						A							

6

5

4

3

2

1

E

D

C

B

A