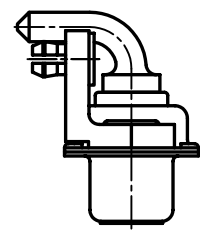
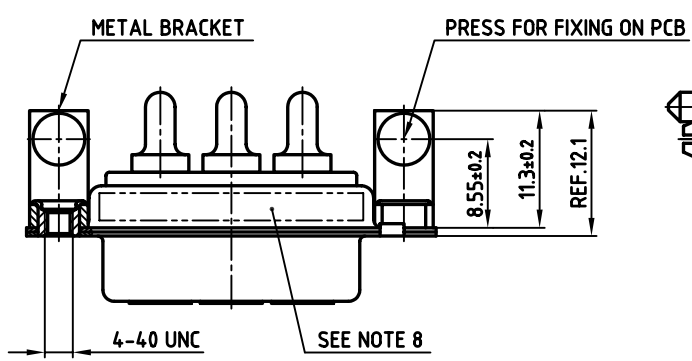
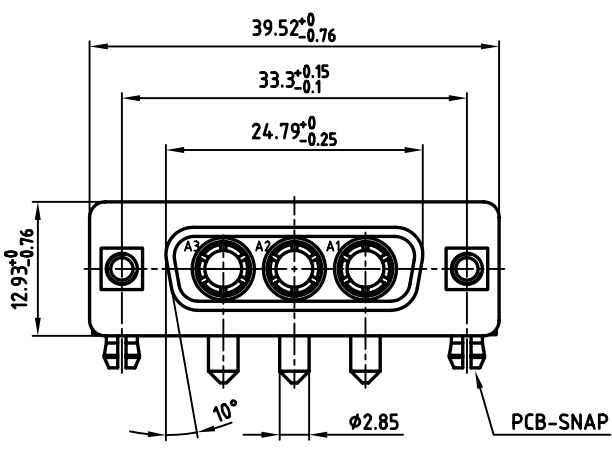
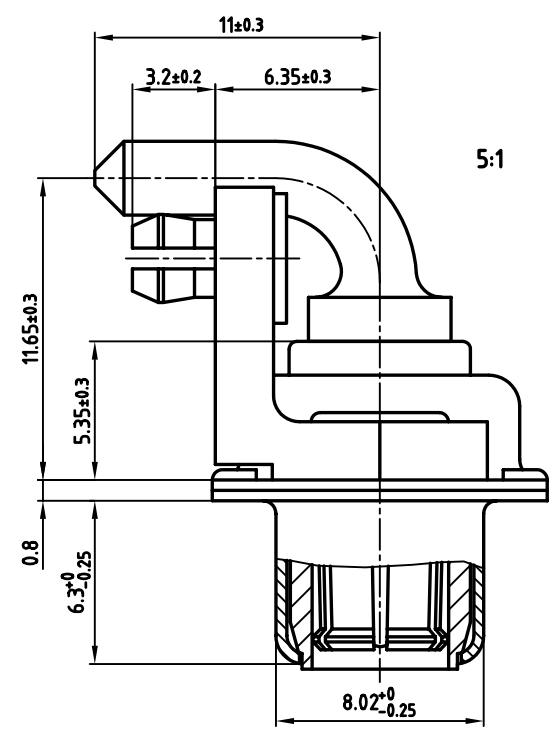


P.C.B. HOLE DRILLINGS

used for: D-SUB COMBINATION



NOTES:

1. METALSHELLS: STEEL; min. 320µ" TIN
2. INSULATORS: PBT GF UL 94 V-0, GREEN
3. HIGH POWER CONTACTS 20A : COPPER ALLOY
PLATING: 30µ" HARD GOLD over min. 50µ" NICKEL
4. METAL BRACKET: DIE-CASTING; min. 320µ" TIN over 80µ" NICKEL
5. THREADED INSERT: COPPER ALLOY; min. 200µ" TIN over 80µ" NICKEL
6. PCB-SNAP: COPPER ALLOY; min. 200µ" TIN over 80µ" NICKEL
PCB-HOLE: 3.1±0.1; PCB THICKNESS 1.6mm
7. MAXIMUM TORQUE VALUE FOR THREAD: 6" LBS
8. CONNECTOR IS PART MARKED: 3003W3SXX56N40X CONEC ABC

Directive 2002/95/EC
RoHS-
Compliant

APPROVAL * FREIGABE * DEBLOCAGE * AUTORIZACION * APPROVAL

CUSTOMER APPROVAL DATE:

NAME: TITLE:

COMPANY NAME:

APPROVAL * FREIGABE * DEBLOCAGE * AUTORIZACION * APPROVAL

THIS DRAWING MAY NOT BE COPIED OR REPRODUCED IN ANY WAY, AND MAY NOT BE PASSED ON TO A THIRD PARTY, WITHOUT WRITTEN PERMISSION. OWNERSHIP AND COPYRIGHT OF CONEC GmbH DO NOT ALTER CAD DRAWING BY HAND

rev.	description	date	name
a	Origin		

tolerance		scale:	2:1 (5:1)
	dim. in mm	material:	SEE NOTES
2006	date	name	title:
drawn	08.02.	Lehmenkühler	D-SUB COMBINATION FEMALE 90°
appd.	08.02.	Mickenbecker	3W3S
norm			with threaded insert, metal bracket and clip
d-old			dwg no: AutoCAD 2004 DIN-A
			13K1A1708
			sh: 1/1
			part no: 3003W3SXX56N40X

