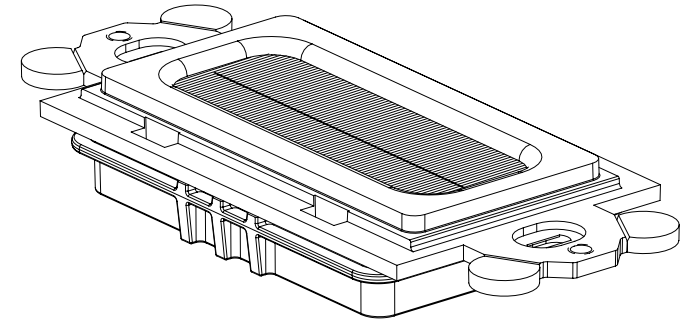
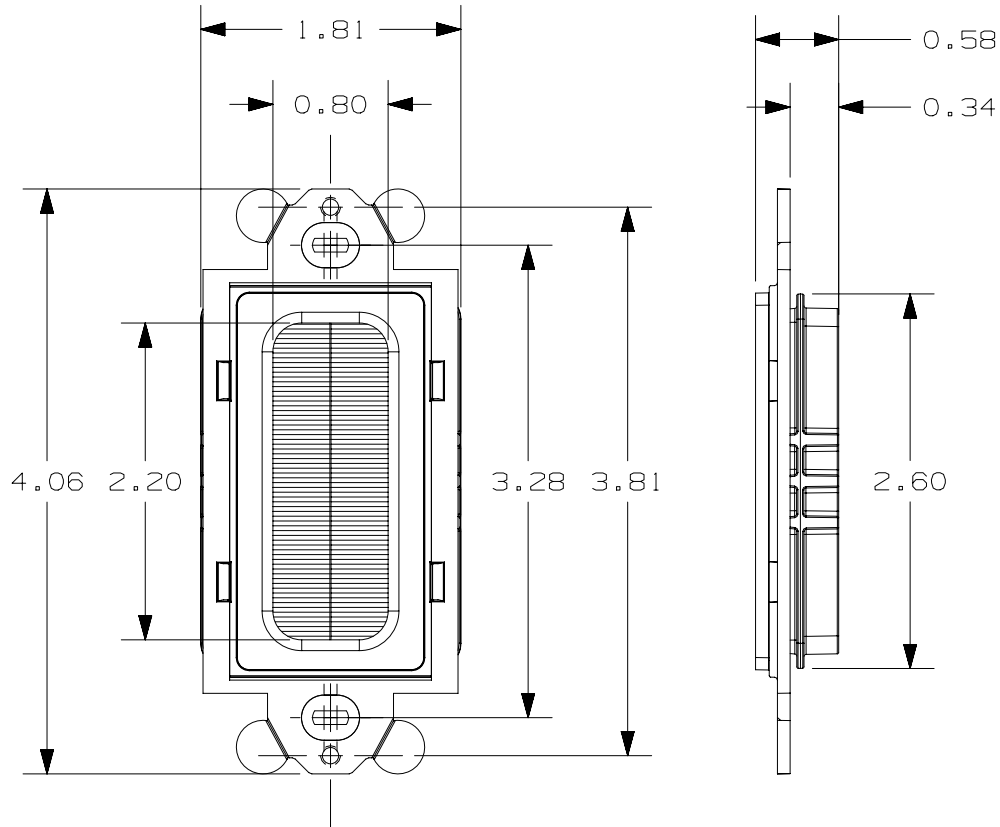
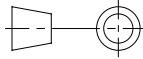


THIS COPY IS PROVIDED ON A RESTRICTED BASIS AND IS NOT TO BE USED IN ANY WAY DETRIMENTAL TO THE INTERESTS OF PANDUIT CORP.

NOTES:

1. VISIT OUR ON-LINE CATALOG AT WWW.PANDUIT.COM FOR A LIST OF CURRENT PARTS APPLICABLE FOR USE WITH THIS PRODUCT.
2. DIMENSIONS IN [] ARE METRIC.
3. WEIGHT: 20.37g
4. PART INCLUDES: (2) #6-32x1 PANHEAD SCREWS FOR ATTACHMENT TO GFCI FACEPLATE. FACEPLATE NOT INCLUDED



PART NUMBER		CFGB**										
TITLE		BRUSH INSERT FOR GFCI FACPLATE										
		CUSTOMER DRAWING										
ITEM REVISION NAME		00141MAA/00										
DATASET FILE NAME		00141MAA_DC02/00A										
		THIRD ANGLE PROJECTION										
MATERIAL		FRAME : ABS										
DRAWING NUMBER		00141MAA-02										
REV	DATE	BY	CHK	APR	DESCRIPTION	ECN	DRAWN BY	DATE	CHK	SCALE	SHEET 1 OF 1	SIZE
00	01/22/18	MDJR	ROJC	AMY	INITIAL RELEASE	00141MAA-02	MDJR	01/22/18	ROJC	NONE		A

A-SIZE CUSTOMER

2

1

2

1