

MOLEX P/N	LENGTH	TOLERANCE	TWINAX CABLE		MECHANICAL SPECIFICATION	ELECTRICAL SPECIFICATION	PINOUT TABLE
			IMPEDANCE	AWG			
2024921000	300mm	±10mm	85 Ohms	34	SFF-8611	PCI EXPRESS OCuLink SPECIFICATION REV 1.0	A
2024921001	500mm	±10mm	85 Ohms	34	SFF-8611	PCI EXPRESS OCuLink SPECIFICATION REV 1.0	A
2024921002	700mm	±10mm	85 Ohms	34	SFF-8611	PCI EXPRESS OCuLink SPECIFICATION REV 1.0	A
2024921003	1000mm	±10mm	85 Ohms	34	SFF-8611	PCI EXPRESS OCuLink SPECIFICATION REV 1.0	A
2024921050	300mm	±10mm	85 Ohms	34	SFF-8611	PCI EXPRESS OCuLink SPECIFICATION REV 1.0	B
2024921051	500mm	±10mm	85 Ohms	34	SFF-8611	PCI EXPRESS OCuLink SPECIFICATION REV 1.0	B
2024921052	700mm	±10mm	85 Ohms	34	SFF-8611	PCI EXPRESS OCuLink SPECIFICATION REV 1.0	B
2024921053	1000mm	±10mm	85 Ohms	34	SFF-8611	PCI EXPRESS OCuLink SPECIFICATION REV 1.0	B

- NOTES:
- MATERIALS:
 - BACKSHELLS - STR-GLASS FILLED LCP, UL94-V0
 - RA-NYLON, UL94-VO
 - COLOR: BLACK
 - LATCHING - STAINLESS STEEL
 - CABLE - TWIN-AX SHIELD: ALUMINIZED POLYESTER FOIL
 - SIGNAL PAIR: SOLID SILVER PLATED COPPER
 - DRAIN: SOLID TINNED COPPER
 - CONFORMS TO VW1
 - PCB - HALOGEN FREE
 - PLUG MATES TO RIGHT-ANGLE AND VERTICAL RECEPTACLE SERIES 173162.
 - RoHS COMPLIANT. NO EXCEPTIONS.

THIS DRAWING CONTAINS INFORMATION THAT IS PROPRIETARY TO MOLEX ELECTRONIC TECHNOLOGIES, LLC AND SHOULD NOT BE USED WITHOUT WRITTEN PERMISSION

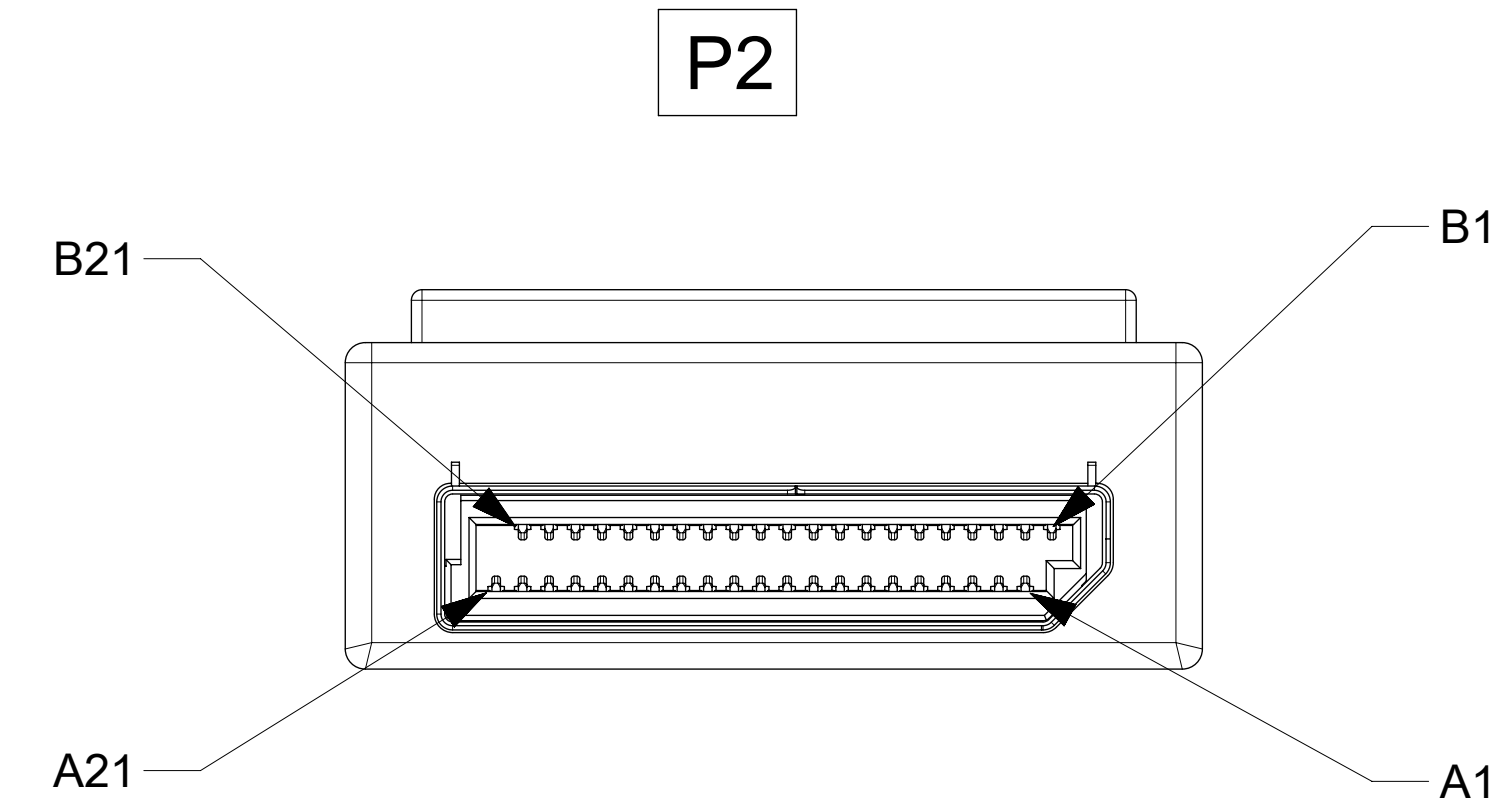
QUALITY SYMBOLS F = 0 E = 0 F = 0 G = 0 C = 0 X = 0 = 0 V = 0	EC NO: 117596 DRWN: JWALLACE01 CHKD: MSTRACK REV APPR: JALEXANDER	2017/05/31 2017/05/31 2017/05/05	GENERAL TOLERANCES (UNLESS SPECIFIED) ANGULAR TOL ± ° 4 PLACES ± 3 PLACES ± 2 PLACES ± 1 PLACE ± 0 PLACES ± DRAFT WHERE APPLICABLE MUST REMAIN WITHIN DIMENSIONS	DIMENSION UNITS: MM SCALE: NTS DRWN BY: JWALLACE01 DATE: 2016/08/30 CHKD BY: MSTRACK DATE: 2016/09/15 APPR BY: JCDEMPSEY DATE: 2016/09/23	
	PRODUCT CUSTOMER DRAWING			SERIES: 202492 MATERIAL NUMBER: SEE P/N TABLE CUSTOMER: GENERAL MARKET	
	DRAWING SIZE: D THIRD ANGLE PROJECTION			DOCUMENT NUMBER: 2024921000 DOC TYPE: PSD DOC PART: 000 SHEET NUMBER: 1 OF 3	
	RELEASE STATUS: P1 RELEASE DATE: 05.06.2017 16:52:52				

PINOUT TABLE A

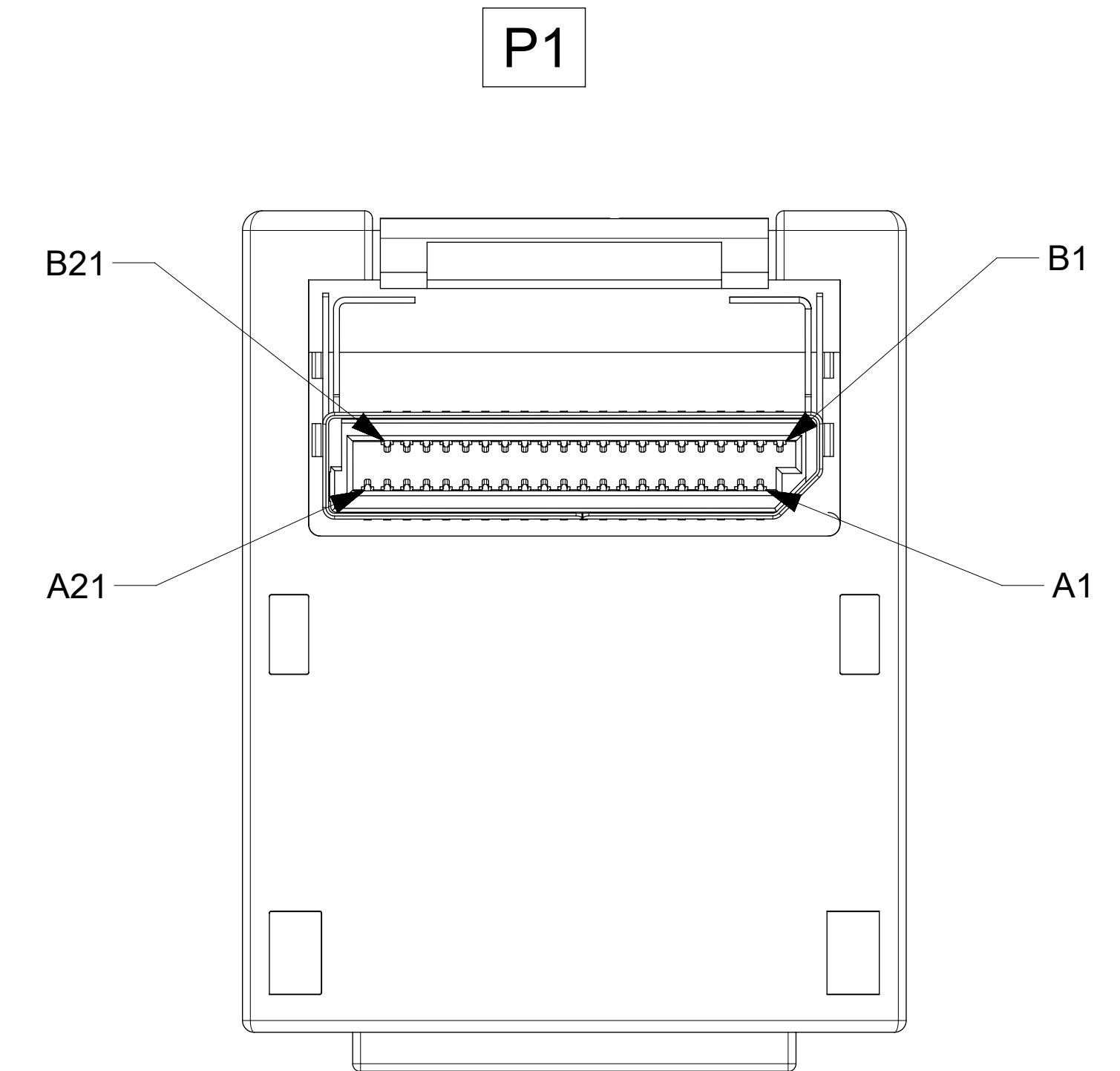
P1					P2	
PIN #	DESCRIPTION	SIGNAL TYPE	WIRE ID	AWG	PIN #	DESCRIPTION
A1	NO CONNECT	NC	NO WIRE		B1	NO CONNECT
A2	GROUND	----	TWINAX1	34	B2	GROUND
A3	PERp0	<---	TWINAX1	34	B3	PETp0
A4	PERn0	<---	TWINAX1	34	B4	PETn0
A5	GROUND	----	TWINAX2	34	B5	GROUND
A6	PERp1	<---	TWINAX2	34	B6	PETp1
A7	PERn1	<---	TWINAX2	34	B7	PETn1
A8	GROUND	----	TWINAX3	34	B8	GROUND
A9	BP_TYPE	<---	TWINAX3	34	B9	BP_TYPE
A10	CWAKE#	<-->	TWINAX3	34	B10	CWAKE#
A11	GROUND	NC	NO WIRE		B11	GROUND
A12	VSP+	---	TWINAX4	34	B12	VSP+
A13	VSP-	---	TWINAX4	34	B13	VSP-
A14	GROUND	----	TWINAX4	34	B14	GROUND
A15	PERp2	<---	TWINAX5	34	B15	PETp2
A16	PERn2	<---	TWINAX5	34	B16	PETn2
A17	GROUND	----	TWINAX5	34	B17	GROUND
A18	PERp3	<---	TWINAX6	34	B18	PETp3
A19	PERn3	<---	TWINAX6	34	B19	PETn3
A20	GROUND	----	TWINAX6	34	B20	GROUND
A21	NO CONNECT	NC	NO WIRE		B21	NO CONNECT
B1	NO CONNECT	NC	NO WIRE		A1	NO CONNECT
B2	GROUND	----	TWINAX7	34	A2	GROUND
B3	PETp0	---	TWINAX7	34	A3	PERp0
B4	PETn0	---	TWINAX7	34	A4	PERn0
B5	GROUND	----	TWINAX8	34	A5	GROUND
B6	PETp1	---	TWINAX8	34	A6	PERp1
B7	PETn1	---	TWINAX8	34	A7	PERn1
B8	GROUND	----	TWINAX9	34	A8	GROUND
B9	2-WIRE CLOCK	<-->	TWINAX9	34	A9	2-WIRE CLOCK
B10	2-WIRE DATA	<-->	TWINAX9	34	A10	2-WIRE DATA
B11	GROUND	NC	NO WIRE		A11	GROUND
B12	PERST#	<-->	TWINAX10	34	A12	PERST#
B13	CPRSNT#	<-->	TWINAX10	34	A13	CPRSNT#
B14	GROUND	----	TWINAX10	34	A14	GROUND
B15	PETp2	---	TWINAX11	34	A15	PERp2
B16	PETn2	---	TWINAX11	34	A16	PERn2
B17	GROUND	----	TWINAX11	34	A17	GROUND
B18	PETp3	---	TWINAX12	34	A18	PERp3
B19	PETn3	---	TWINAX12	34	A19	PERn3
B20	GROUND	----	TWINAX12	34	A20	GROUND
B21	NO CONNECT	NC	NO WIRE		A21	NO CONNECT

PINOUT TABLE B

P1					P2	
PIN #	DESCRIPTION	SIGNAL TYPE	WIRE ID	AWG	PIN #	DESCRIPTION
A1	A1	<-->	DISCRETE	30	B1	B1
A2	GROUND	----	TWINAX1	34	B2	GROUND
A3	PERp0	<---	TWINAX1	34	B3	PETp0
A4	PERn0	<---	TWINAX1	34	B4	PETn0
A5	GROUND	----	TWINAX2	34	B5	GROUND
A6	PERp1	<---	TWINAX2	34	B6	PETp1
A7	PERn1	<---	TWINAX2	34	B7	PETn1
A8	GROUND	----	TWINAX3	34	B8	GROUND
A9	BP_TYPE	<---	TWINAX3	34	B9	BP_TYPE
A10	CWAKE#	<-->	TWINAX3	34	B10	CWAKE#
A11	GROUND	<-->	DISCRETE	34 (RED)	B11	GROUND/SB
A12	VSP+	---	TWINAX4	34	B12	VSP+
A13	VSP-	---	TWINAX4	34	B13	VSP-
A14	GROUND	----	TWINAX4	34	B14	GROUND
A15	PERp2	<---	TWINAX5	34	B15	PETp2
A16	PERn2	<---	TWINAX5	34	B16	PETn2
A17	GROUND	----	TWINAX5	34	B17	GROUND
A18	PERp3	<---	TWINAX6	34	B18	PETp3
A19	PERn3	<---	TWINAX6	34	B19	PETn3
A20	GROUND	----	TWINAX6	34	B20	GROUND
A21	A21	<-->	DISCRETE	30	B21	B21
B1	B1	<-->	DISCRETE	30	A1	A1
B2	GROUND	----	TWINAX7	34	A2	GROUND
B3	PETp0	---	TWINAX7	34	A3	PERp0
B4	PETn0	---	TWINAX7	34	A4	PERn0
B5	GROUND	----	TWINAX8	34	A5	GROUND
B6	PETp1	---	TWINAX8	34	A6	PERp1
B7	PETn1	---	TWINAX8	34	A7	PERn1
B8	GROUND	----	TWINAX9	34	A8	GROUND
B9	2-WIRE CLOCK	<-->	TWINAX9	34	A9	2-WIRE CLOCK
B10	2-WIRE DATA	<-->	TWINAX9	34	A10	2-WIRE DATA
B11	GROUND	<-->	DISCRETE	34 (BLK)	A11	GROUND/SB
B12	PERST#	<-->	TWINAX10	34	A12	PERST#
B13	CPRSNT#	<-->	TWINAX10	34	A13	CPRSNT#
B14	GROUND	----	TWINAX10	34	A14	GROUND
B15	PETp2	---	TWINAX11	34	A15	PERp2
B16	PETn2	---	TWINAX11	34	A16	PERn2
B17	GROUND	----	TWINAX11	34	A17	GROUND
B18	PETp3	---	TWINAX12	34	A18	PERp3
B19	PETn3	---	TWINAX12	34	A19	PERn3
B20	GROUND	----	TWINAX12	34	A20	GROUND
B21	B21	<-->	DISCRETE	30	A21	A21



VIEW FROM MATING END OF CONNECTOR



VIEW FROM MATING END OF CONNECTOR

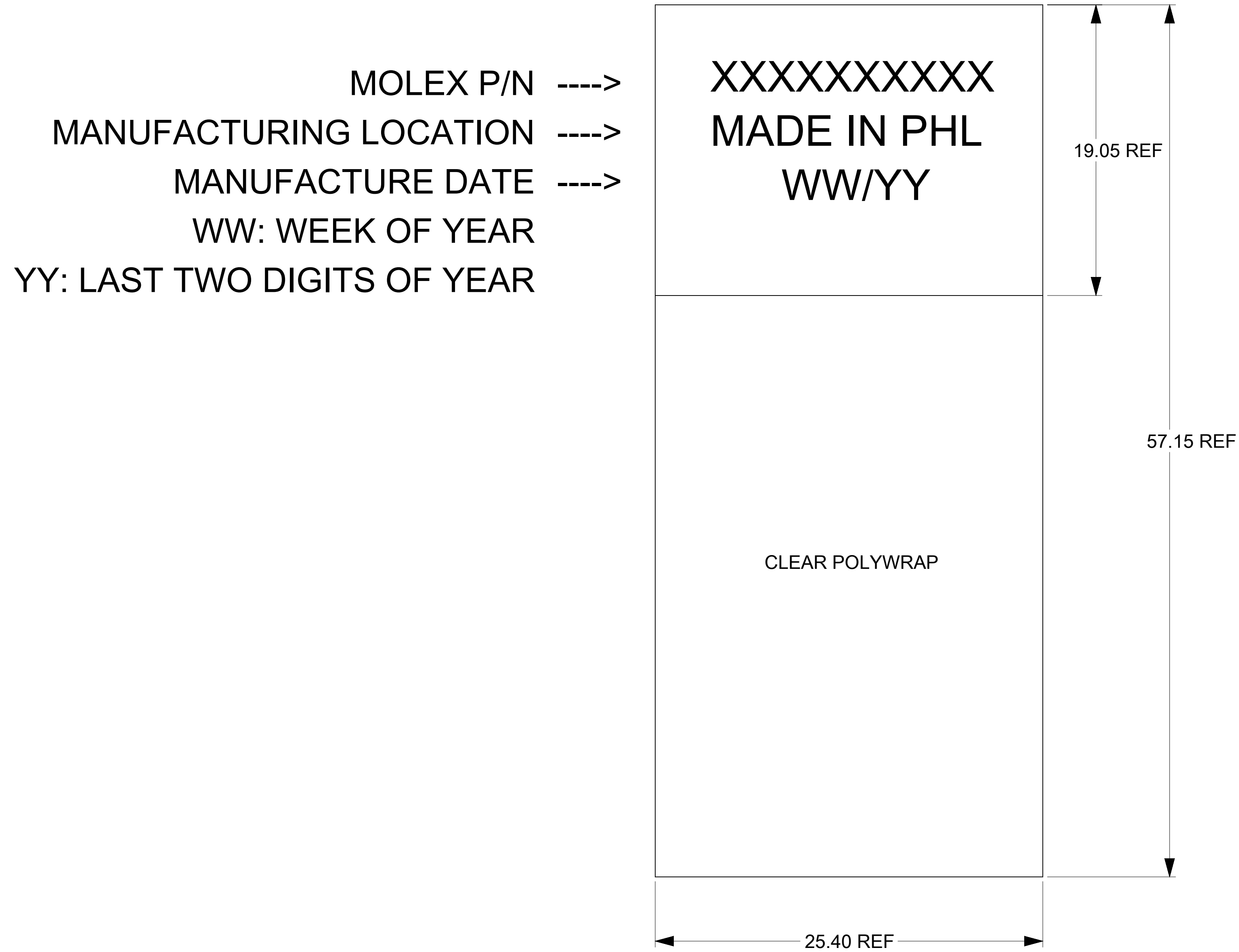
LEGEND

- = THRU LINE
- > = TRANSMIT TO RECEIVE ON HIGH SPEED LINE
- <--> = SIDEBAND
- NC = NOT CONNECTED

NOTE: CONNECTION DETERMINED BY PIN #. DESCRIPTION FOR REFERENCE ONLY.

QUALITY SYMBOLS F = 0 E = 0 D = 0 C = 0 B = 0 A = 0 0 = 0	THIS DRAWING CONTAINS INFORMATION THAT IS PROPRIETARY TO MOLEX ELECTRONIC TECHNOLOGIES, LLC AND SHOULD NOT BE USED WITHOUT WRITTEN PERMISSION				DIMENSION UNITS: MM SCALE: NTS		
	GENERAL TOLERANCES (UNLESS SPECIFIED) ANGULAR TOL ± °		DRWN BY: JWALLACE01 DATE: 2016/08/30		NPIO 4X W/SB RAD TO STRAIGHT		
	4 PLACES ± 3 PLACES ± 2 PLACES ± 1 PLACE ± 0 PLACES ±		CHKD BY: MSTRACK DATE: 2016/09/15		PRODUCT CUSTOMER DRAWING		
	DRAFT WHERE APPLICABLE MUST REMAIN WITHIN DIMENSIONS		APPR BY: JCDEMPSEY DATE: 2016/09/23		SERIES: 202492 MATERIAL NUMBER: SEE P/N TABLE CUSTOMER: GENERAL MARKET		
EC NO: 117596 DRWN: JWALLACE01 CHKD: MSTRACK REV: APPR: JALEXANDER		DRAWING SIZE: D THIRD ANGLE PROJECTION		DOCUMENT NUMBER: 2024921000 DOC TYPE: PSD DOC PART: 000 SHEET NUMBER: 2 OF 3			

LABEL DETAIL



QUALITY SYMBOLS F = 0 E = 0 D = 0 C = 0 B = 0 A = 0 0 = 0 1 = 0 2 = 0 3 = 0 4 = 0 5 = 0 6 = 0 7 = 0 8 = 0 9 = 0 10 = 0 11 = 0 12 = 0 13 = 0 14 = 0 15 = 0 16 = 0 17 = 0 18 = 0 19 = 0	THIS DRAWING CONTAINS INFORMATION THAT IS PROPRIETARY TO MOLEX ELECTRONIC TECHNOLOGIES, LLC AND SHOULD NOT BE USED WITHOUT WRITTEN PERMISSION											
	EC NO: 117596 DRWN: JWALLACE01 CHKD: MSTRACK REV: APPR: JALEXANDER	GENERAL TOLERANCES (UNLESS SPECIFIED)			DIMENSION UNITS	SCALE						
		ANGULAR TOL ± °			MM	NTS						
		4 PLACES ±			DRWN BY	DATE						
		3 PLACES ±			JWALLACE01	2016/08/30						
		2 PLACES ±			CHKD BY	DATE						
	1 PLACE ±			MSTRACK	2016/09/15							
	0 PLACES ±			APPR BY	DATE	PRODUCT CUSTOMER DRAWING						
	DRAFT WHERE APPLICABLE MUST REMAIN WITHIN DIMENSIONS			JCDEMPSEY	2016/09/23	SERIES	MATERIAL NUMBER	CUSTOMER				
	D			DRAWING SIZE	THIRD ANGLE PROJECTION	202492	SEE P/N TABLE	GENERAL MARKET				
			D		DOCUMENT NUMBER	2024921000	DOC TYPE	PSD	DOC PART	000	SHEET NUMBER	3 OF 3