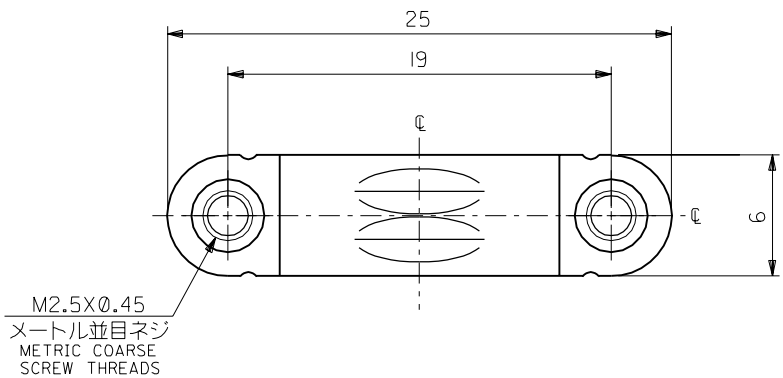
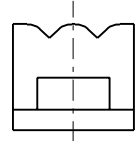
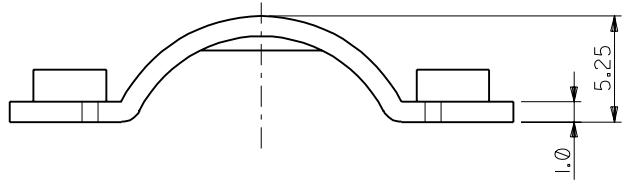


DWG. NO.
SD-56382-004



注記
NOTES

1. 材質
MATERIAL
ステンレス鋼
STAINLESS STEEL
2. 適合シェルカバー : 56381-1200
APPLICABLE SHELL COVER : 56381-1200
3. 適合ネジ : 十字穴付きなべ小ネジ
APPLICABLE SCREW : CROSS RECESSED PAN HEAD MACHINE SCREW
ネジサイズ : M2.5X8
SCREW SIZE : M2.5X8



56382-1200	56382-****
MATERIAL.NO	MODEL.NO

DIMENSIONS:		SHT	REV
<input type="checkbox"/> mm	<input type="checkbox"/> INCH	<input checked="" type="checkbox"/> mm	<input type="checkbox"/> ONLY
		REVISE ON CAD ONLY	

DO NOT SCALE DRAWING	EC NO.	REVISED 01/10/19	MATERIAL 材料 注記参照 SEE NOTES	GENERAL TOLERANCES: (UNLESS SPECIFIED) 一般公差	SCALE 4-1	DESIGN UNITS mm INCH	THIRD ANGLE PROJECTION	TITLE:	
	DRWN: CHK: APPR:	EC NO. J2002-0944 DRWN: K.SAKAMOTO CHK: J.MIYAZAWA APPR: Y.O.ITO		FINISH 仕上げ —	10 UNDER 未満	±0.2	DRAWN BY & DATE S. Akiyama 01/01/25	<input checked="" type="checkbox"/> mm	COMPACT ROBOT CONN. (CRC) CABLE CLAMP
	EC NO.	RELEASED 01/02/16	DESCRIPTION	30 OVER 以上	±0.25	CHECKED BY & DATE J. Miyazawa / Y. Ota	<input type="checkbox"/> INCH	MATERIAL NO. SEE CHART	
	DRWN: CHK: APPR:	EC NO. JD2001-1040 DRWN: S.AKIYAMA CHK: J.MIYAZAWA APPR: H.IKESUGI		WIRE RANGE 適用電線範囲 —	30 OVER 以上	±0.3	APPROVED BY & DATE Akkiyama		<input checked="" type="checkbox"/> mm ONLY
	EC NO.		REV	ANGLE 角度	±3°	CAD FILENAME 56382004.S01		MATERIAL NO. SEE CHART	
	DRWN: CHK: APPR:		INS. RANGE 被覆外径 —	THIS DRAWING CONTAINS INFORMATION THAT IS PROPRIETARY TO MOLEX INCORPORATED AND SHOULD NOT BE USED WITHOUT WRITTEN PERMISSION.				DRAWING NO. SD-56382-004	SHEET NO. 1 OF 1

A
56382004.S01