

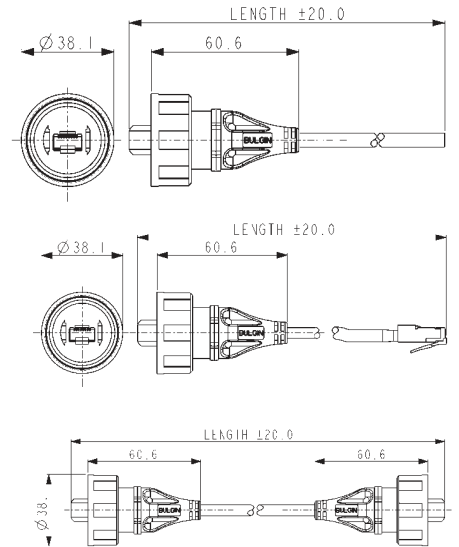
- ⊗ IP68, Tested in accordance with EN60529:1992+A2:2013
- ⊗ IP69K, Tested in accordance with DIN 40050/Part 9 IP6k9k
- ⊗ Cat 5e or Cat 6a compliant
- ⊗ PUR / PVC jacket on cable
- ⊗ Shielded system
- ⊗ Cat 5e or Cat 6a shielded coupler
- ⊗ Shroud on RJ45
- ⊗ Screw coupling
- ⊗ Rewireable flex connector
- ⊗ PCB mounted panel connector
- ⊗ IDC termination panel connector
- ⊗ Earth lead version of panel adaptor
- ⊗ EN60068-2-52 Test Kb Salt Mist (Cyclic)  
Marine Severity Level 1
- ⊗ Dust and waterproof sealing when mated
- ⊗ Data rate up to 100Mbps
- ⊗ Good chemical resistance, flame retardant
- ⊗ High noise immunity and EMI protection
- ⊗ Maintains shielding
- ⊗ Protection from abuse and mis-mating
- ⊗ Secure, proven locking system
- ⊗ Ability to 'field' terminate
- ⊗ Direct PCB mount panel connector
- ⊗ Simple termination
- ⊗ Continuous screening of panel mount connector

Patch Cord Flex Connector - PUR Jacket



PX0836

- Mates with all panel mounting connectors
- Patchcords with IP68 connector
- Supplied with shielded RJ45 plug
- Single or double end terminated
- Standard lengths: 2m, 3m & 5m
- S-FTP cable construction
- PUR (Cat 5e) or PVC (Cat 6a) jacket cable
- Wiring configuration to 568-B



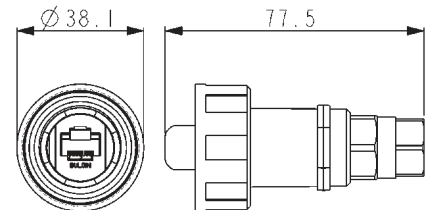
Part no.	Type	Length	Description
PX0836/2M00	Wire end	2m	Cat 5e IP68 RJ45 Buccaneer to bare end
PX0836/3M00	Wire end	3m	Cat 5e IP68 RJ45 Buccaneer to bare end
PX0836/5M00	Wire end	5m	Cat 5e IP68 RJ45 Buccaneer to bare end
PX0837/2M00	Single ended	2m	Cat 5e IP68 RJ45 Buccaneer to Shielded RJ45
PX0837/3M00	Single ended	3m	Cat 5e IP68 RJ45 Buccaneer to Shielded RJ45
PX0837/5M00	Single ended	5m	Cat 5e IP68 RJ45 Buccaneer to Shielded RJ45
PX0838/2M00	Double ended	2m	Cat 5e IP68 RJ45 Buccaneer to IP68 RJ45 Buccaneer
PX0838/3M00	Double ended	3m	Cat 5e IP68 RJ45 Buccaneer to IP68 RJ45 Buccaneer
PX0838/5M00	Double ended	5m	Cat 5e IP68 RJ45 Buccaneer to IP68 RJ45 Buccaneer
PX0896/2M00	Wire end	2m	Cat 6a IP68 RJ45 Buccaneer to bare end
PX0896/3M00	Wire end	3m	Cat 6a IP68 RJ45 Buccaneer to bare end
PX0896/5M00	Wire end	5m	Cat 6a IP68 RJ45 Buccaneer to bare end
PX0897/2M00	Single ended	2m	Cat 6a IP68 RJ45 Buccaneer to Shielded RJ45
PX0897/3M00	Single ended	3m	Cat 6a IP68 RJ45 Buccaneer to Shielded RJ45
PX0897/5M00	Single ended	5m	Cat 6a IP68 RJ45 Buccaneer to Shielded RJ45
PX0898/2M00	Double ended	2m	Cat 6a IP68 RJ45 Buccaneer to IP68 RJ45 Buccaneer
PX0898/3M00	Double ended	3m	Cat 6a IP68 RJ45 Buccaneer to IP68 RJ45 Buccaneer
PX0898/5M00	Double ended	5m	Cat 6a IP68 RJ45 Buccaneer to IP68 RJ45 Buccaneer

Re wireable Flex Connector



PX0834

- Mates with all panel mounting connectors
- Supplied with shielded RJ45 plug
- Two versions:  
○ Cat 5e or Cat 6a Cable size from 5 to 6mm diameter, or extra cable glands for other cable sizes from 3.5 to 8mm diameter.



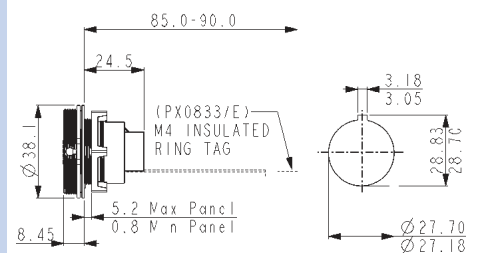
Part no.	Description
PX0834/A	Cat 5e suitable for use with cables from 5 to 6mm diameter
PX0834/B	Cat 5e with 2 extra cable glands, suitable for use with cables from 3.5 to 8mm diameter
PX0894/A	Cat 6a suitable for use with cables from 5 to 6mm diameter
PX0894/B	Cat 6a with 2 extra cable glands, suitable for use with cables from 3.5 to 8mm diameter

Panel Mounting Connector



PX0833

- Cat 5e mates with PX0836, PX0837, PX0838 & PX0834 flex connectors
- Cat 6a mates with PX0896, PX0897, PX0898 & PX0894 flex connectors
- Standard RJ45 patchcord can be plugged into rear
- Version with earth wire available
- Single hole fixing
- Complete with panel sealing gasket



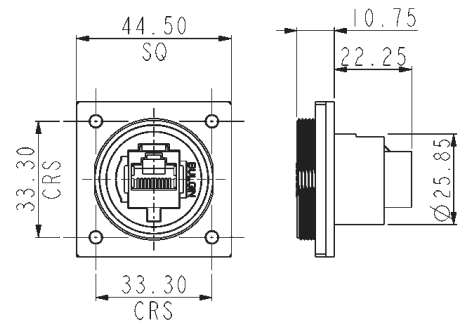
Part no.	Description	Fixing
PX0833	Cat 5e coupler	Front panel mounted
PX0833/E	Cat 5e coupler + earth wire	Front panel mounted
PX0893	Cat 6a coupler	Front panel mounted
PX0893/E	Cat 6a coupler + earth wire	Front panel mounted

Flange Mounting Connector



PX0870

- Cat 5e mates with PX0836, PX0837, PX0838 & PX0834 flex connectors
- Cat 6a mates with PX0896, PX0897, PX0898 & PX0894 flex connectors
- Standard RJ45 patchcord can be plugged into rear
- Version with earth wire available
- Flange fixing
- Complete with panel sealing gasket



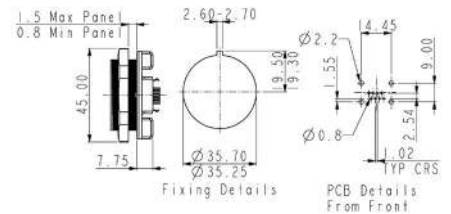
Part no.	Description	Fixing
PX0870	Cat 5e coupler	Flange mounting
PX0870/E	Cat 5e coupler + earth wire	Flange mounting
PX0890	Cat 6a coupler	Flange mounting
PX0890/E	Cat 6a coupler + earth wire	Flange mounting

PCB Mounting Connector



PX0839/PC

- Cat 5e shielded RJ45 interface
- Rear of panel mounted
- Mates with PX0836, PX0837, PX0838 and PX0834 flex connectors
- For direct vertical mounting to PCB, straight Plugs
- Complete with panel sealing PX0839/PC gasket



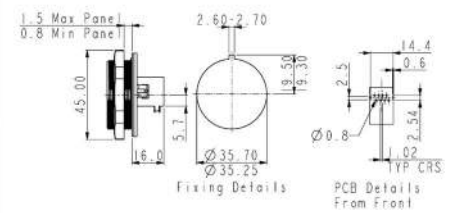
Part no.	Description	Fixing
PX0839/PC	Cat 5e connector - PC	Rear panel mounted

PCB Mounting Connector

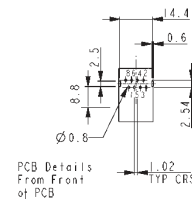


PX0839/90

- Cat 5e shielded RJ45 interface
- Rear of panel mounted
- Mates with PX0836, PX0837, PX0838 and PX0834 flex connectors
- For direct horizontal mounting to PCB, 90° Plugs
- Complete with panel sealing PX0839/90 gasket



Part no.	Description	Fixing
PX0839/90	Cat 5e connector - 90 degree Plugs	Rear panel mounted

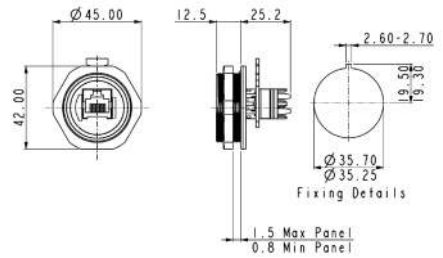


Panel Mounting Connector



PX0839/IDC

- Cat 5e shielded RJ45 interface
- Rear of panel mounted
- Mates with PX0836, PX0837, PX0838 and PX0834 flex connectors
- Two IDC blocks for discrete termination
- Complete with panel sealing



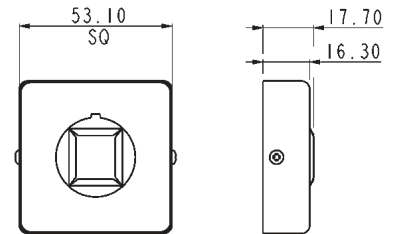
Part no.	Description	Fixing
PX0839/IDC	Cat 5e coupler - IDC	Rear panel mounted

Shield Back Shell Accessory



PX0888

- Maintains RJ45 coupler screening directly to panel
- Shielding can is fixed to rear of panel mount connector
- For use on PX0833



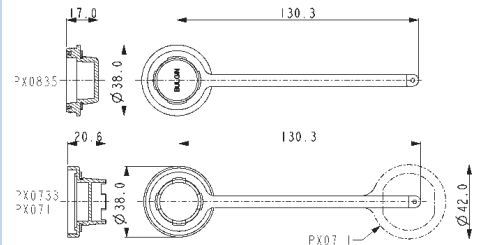
Part no.	Description
PX0888	Shielding backshell accessory

Accessories



Sealing Caps

- Sealing caps to maintain IP68 rating when connectors are not in use
- Replacement shielded RJ45s
- Hand crimp tool for shielded RJ45
- Patch cord cable available in 50m reels



Part no.	Description
PX0835	Sealing Cap for flex connectors (PX0834, PX0836-838, PX0894, PX0896-898)
PX0733	Sealing Cap for panel mounting connector (PX0833, PX0870, PX0893, PX0890)
PX0711	Sealing Cap for rear panel mounting connector (PX0839)
14151	Cat 5e & Cat 6a Hand crimp tooling + die set
14199	Cat 5e PUR Jacket Cable - 50m reel
14150	Cat 5e Replacement shielded RJ45
15241	Cat 6a PVC Jacket Cable - 50m reel

## Connectors

Sealing:	IP68, EN60529:1992+A2:2013 (10m depth for 2 weeks)
	IP69K, Tested in accordance with DIN 40050/Part 9 IP6k9k
Operating Temperature:	-20°C to +70°C
Materials - Overmoulded	
Overmould material:	PVC (black)
Flammability rating:	UL94V-0
Salt Mist:	EN60068-2-52 Test Kb Salt Mist (Cyclic) Marine Severity Level 1

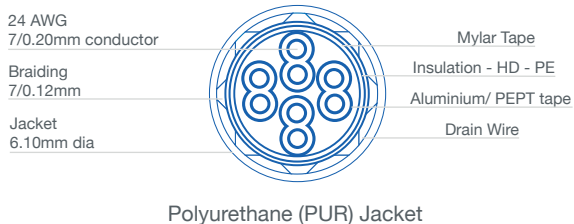
## Materials - Re-wireable and Panel Connectors

Connector body & locking ring	Polyester
Panel connector	Nylon 6
Flammability rating	UL94V-0
'O' rings	Silicone
Panel Gasket - round	Silicone
Panel Gasket - flange	Neoprene
<b>RoHS</b>	Compliant

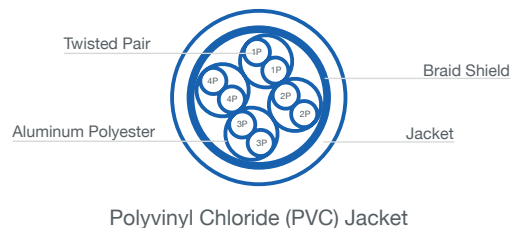
## Cables

	Cat 5e	Cat 6a
Conductors	24AWG (7/0.2mm) bare copper	26AWG (7/0.16mm) bare copper
Insulation	HD-PE	PE (Skin - Foam - Skin)
Pair	2 of the above cores twisted	2 of the above cores twisted
Core	4 of the above cores	4 of the above cores
Screen	1 layer mylar and aluminium tape,	Aluminium & Polyester
Braid	0.12mm tinned copper braid	Tinned Copper Braid
Sheath	PUR Jacket Black	PVC Jacket Black
Op Temperature	-25°C to +85°C	-25°C to +75°C
Diameter	6.1mm nominal	6.0 mm nominal
Flame Test		FT4
Electrical @ 20°C		
Characteristic:		
Impedance	100 Ω ±15 Ω @ 100MHz	
Capacitance	330pF/km	
Conductor Loop		
Resistance	29/Ω100m maximum	26Ω /km
Skew	45 nsec/100m @ 100MHz	
Mechanical Characteristics		
Minimum Tensile Strength of Jacket (kgf/mm <sup>2</sup> )		1.05
Maximum Length for Strip of Jacket (mm)		40

### Cable construction - PX0836, PX0837, PX0838 and 14199



### Cable construction - PX0896, PX0897, PX0898 and 15241



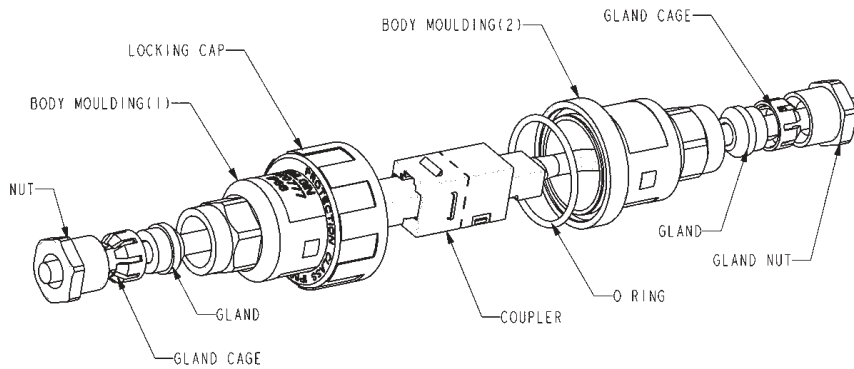
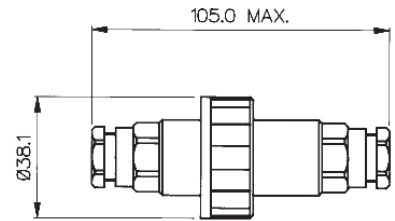
RJ45 Plug	Cat 5e & PoE	Cat 6a
<b>Materials</b>		
Moulding	Polycarbonate	Polycarbonate
Flammability	UL94V-0	UL94V-0
Contact material	Phosphor Bronze	Phosphor Bronze
Contact plating	50 micron gold	50 micron gold
Operating Temperature	-40°C to +70°C	-40°C to +70°C
Mating cycles	1,000 cycles	1,000 cycles
<b>RoHS</b>	Compliant	Compliant
<b>Electrical</b>		
No. Conductors	8	8
Conductor types	24-28AWG, solid or multistranded	24-28AWG, solid or multistranded
Current rating	350mA	1.5 A
Voltage rating	37V AC, 57V DC	30V AC, 42V DC
Contact resistance	10mΩ max.	10mΩ max.
RJ45 Coupler	Cat 5e	Cat 6a
<b>Materials</b>		
Coupler Shell	Copper Alloy	Copper Alloy
Coupler Plating	Nickel	Nickel
Moulding	PBT	PBT
Flammability	UL94V-0	UL94V-0
Contact material	Phosphor Bronze	Phosphor Bronze
Contact plating	50 micron gold	50 micron gold
Operating Temperature	-40°C to +70°C	0°C to +70°C
Mating cycles	1,000 cycles	1,000 cycles
<b>RoHS</b>	Compliant	Compliant
<b>Electrical</b>		
No. Conductors	8	8
Current rating	1.5A	1.5A
Voltage rating	30V AC, 42V DC	30V AC, 42V DC
Contact resistance	10mΩ max.	10mΩ max.
RJ45 PCB Connector	Cat 5e	
<b>Materials</b>		
Coupler Shell	Copper Alloy	
Coupler Plating	Nickel	
Moulding	PBT	
Flammability	UL94V-0	
Contact material	Phosphor Bronze	
Contact plating	50 micron gold	
PC Plugs	Tin plated	
Operating Temperature	-40°C to +70°C	
Mating cycles	1,000 cycles	
<b>RoHS</b>	Compliant	
<b>Electrical</b>		
No. Conductors	8	
Current rating	1.5A	
Voltage rating	30V AC, 42V DC	
Contact resistance	10mΩ max.	

Cable Joiner



PX0777

- IP68 Rating
- For Sealed Inline RJ45 Connections
- Supplied Complete with Coupler
- Shielded (STP) & Unshielded (UTP) versions
- Cat5e Shielded Coupler also available
- Cable Range 3.5 - 8mm (with glands supplied)



Specifications	PX0777/UTP	PX0777/STP	PX0777/CAT5ESTP	PX0777/CAT6ASTP
Rating:	1.5A, 30V AC, 42V DC	1.5A, 30V AC, 42V DC	1.5A, 30V AC, 42V DC	1.5A, 30V AC, 42V DC
No. of Conductors:	8	8	8	8
Coupler Type:	Unshielded	Shielded	Shielded CAT5e performance	Shielded CAT6a performance
Cable Range:	3.5 - 8mm With glands supplied: 3.5 - 5mm (Blue) 5 - 7mm (Green) 6 - 8mm (Red)	3.5 - 8mm With glands supplied: 3.5 - 5mm (Blue) 5 - 7mm (Green) 6 - 8mm (Red)	3.5 - 8mm With glands supplied: 3.5 - 5mm (Blue) 5 - 7mm (Green) 6 - 8mm (Red)	3.5 - 8mm With glands supplied: 3.5 - 5mm (Blue) 5 - 7mm (Green) 6 - 8mm (Red)
Material:	Glass Filled Polyamide UL94V-0	Glass Filled Polyamide UL94V0	Glass Filled Polyamide UL94V0	Glass Filled Polyamide UL94V0
Sealing:	IP68 to BSEN 60529:1992+A2:2013 (10m depth for 2 weeks)	IP68 to BSEN 60529:1992+A2:2013 (10m depth for 2 weeks)	IP68 to BSEN 60529:1992+A2:2013 (10m depth for 2 weeks)	IP68 to BSEN 60529:1992+A2:2013 (10m depth for 2 weeks)
Salt Mist	EN60068-2-52 Test Kb Salt Mist (Cyclic) Marine Severity Level 1	EN60068-2-52 Test Kb Salt Mist (Cyclic) Marine Severity Level 1	EN60068-2-52 Test Kb Salt Mist (Cyclic) Marine Severity Level 1	EN60068-2-52 Test Kb Salt Mist (Cyclic) Marine Severity Level 1
Operating Temp Range:	-20°C to +70°C	-20°C to +70°C	-20°C to +70°C	-20°C to +70°C
Colour:	Black	Black	Black	Black
<b>RoHS</b>	Compliant	Compliant	Compliant	Compliant