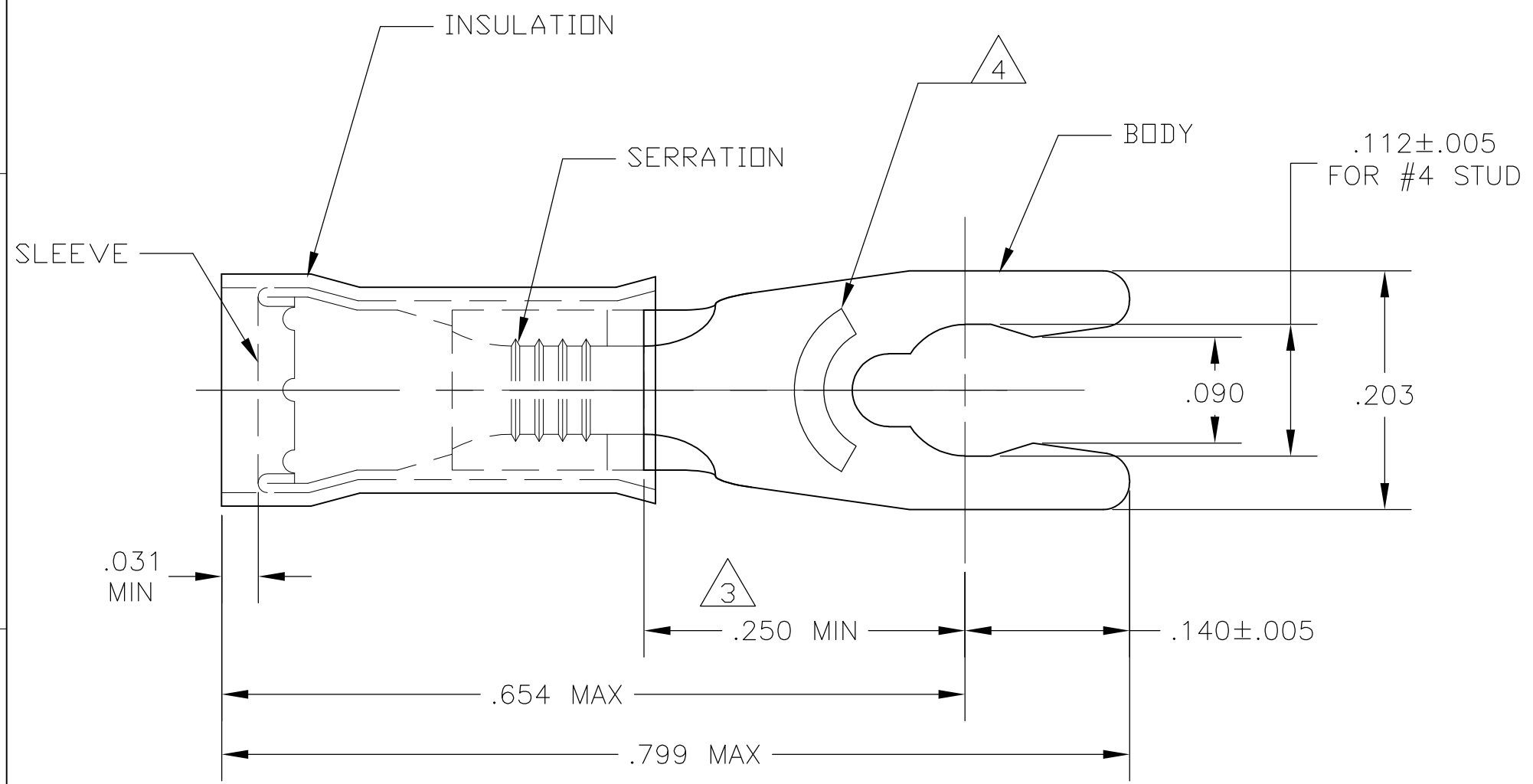


THIS DRAWING IS UNPUBLISHED. RELEASED FOR PUBLICATION
 © COPYRIGHT - By - ALL RIGHTS RESERVED.

| LOC | DIST | REVISIONS | | | | | |
|-----|------|-----------|-----|---------------------------|---------|-----|------|
| G | 14 | P | LTR | DESCRIPTION | DATE | DWN | APVD |
| | | E1 | | REVISED PER ECO-11-004917 | 11MAR11 | RK | HMR |



- 1 FOR .080-.125 WIRE INSULATION DIA
- 2 TONGUE MATERIAL THK = .031±.002
- △3 APPLIES FROM THE METAL EDGE OF THE BARREL TO THE CENTER OF THE STUD
- △4 MARKING 22-18 FOR MILITARY, COMMERCIAL RANGE 22-16

| 100 | LOOSE PIECE, BOX | BODY: PHOS BRONZE PER ASTM-B103 TIN PLATE PER ASTM-B545 SLEEVE: COPPER PER ASTM-B152 INSULATION: NYLON PER ASTM-D4066 TYPE 1, COLOR: RED | 8-52927-1 |
|-------|------------------|--|-----------|
| 5,000 | 52927 ON TAPE | | 52927-1 |
| 1 | WIRE TERMINAL | | 52927 |
| QTY | DESCRIPTION | MATERIAL & FINISH | PART NO |

| | | | | | | | | | | | | | | | | |
|--|--------|------------------------------------|--|-----------------------|-----|-------|--------|-------|-----|-------|-----|--------|------|-------------------|------------|--|
| THIS DRAWING IS A CONTROLLED DOCUMENT. | | DWN jr_ruth 09MAR10 | STE TE Connectivity | | | | | | | | | | | | | |
| DIMENSIONS: INCHES | | CHK TOM MICHIELUTTI 09MAR10 | | | | | | | | | | | | | | |
| TOLERANCES UNLESS OTHERWISE SPECIFIED: | | APVD TOM MICHIELUTTI 09MAR10 | NAME WIRE TERMINAL, PIDG, SPRING SPADE WIRE SIZE: 22-16 | | | | | | | | | | | | | |
| <table border="0"> <tr><td>0 PLC</td><td>± -</td></tr> <tr><td>1 PLC</td><td>± -</td></tr> <tr><td>2 PLC</td><td>± .008</td></tr> <tr><td>3 PLC</td><td>± -</td></tr> <tr><td>4 PLC</td><td>± -</td></tr> <tr><td>ANGLES</td><td>± 5°</td></tr> </table> | | 0 PLC | ± - | 1 PLC | ± - | 2 PLC | ± .008 | 3 PLC | ± - | 4 PLC | ± - | ANGLES | ± 5° | PRODUCT SPEC - | SIZE A3 | |
| 0 PLC | ± - | | | | | | | | | | | | | | | |
| 1 PLC | ± - | | | | | | | | | | | | | | | |
| 2 PLC | ± .008 | | | | | | | | | | | | | | | |
| 3 PLC | ± - | | | | | | | | | | | | | | | |
| 4 PLC | ± - | | | | | | | | | | | | | | | |
| ANGLES | ± 5° | | | | | | | | | | | | | | | |
| MATERIAL SEE TABLE | | APPLICATION SPEC - | CAGE CODE 00779 | DRAWING NO C-52927 | | | | | | | | | | | | |
| FINISH SEE TABLE | | WEIGHT - | RESTRICTED TO - | | | | | | | | | | | | | |
| CUSTOMER DRAWING | | | SCALE 8:1 | SHEET 1 OF 1 | | | | | | | | | | | | |
| | | | REV E1 | | | | | | | | | | | | | |