

Ratings

Voltage: 150 V
Temperature: -40°C~70°C

Conductor

Conductor count: 2
Gauge: 18 AWG 0.82 mm²
Material: tinned copper strands
Strand size: Ø0.127x65
Resistance at 20 °C: 23.2 Ω /km max

Insulator

Material: HDPE
Color: white, black
Diameter: Ø1.65±0.10 mm
Nominal thickness: 0.21 mm
Resistance at 20 °C: 100 MΩ /km min

Wrap:

Material: cotton paper

Filler

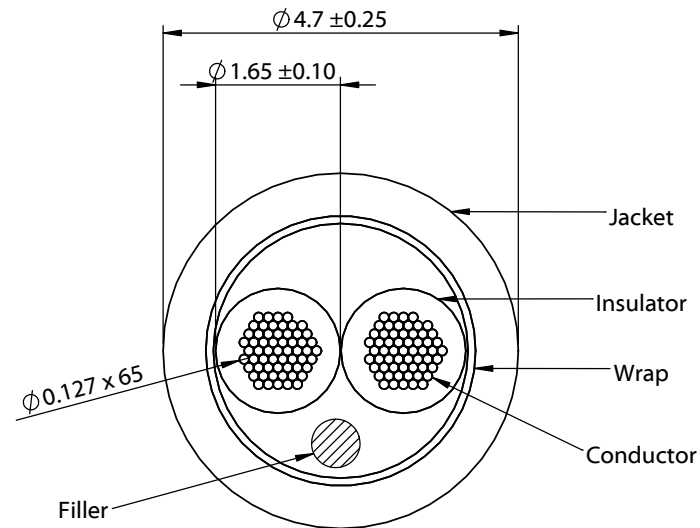
Material: aramid fiber

Outer jacket

Material: TPU
Color: white
Diameter: Ø4.7±0.25 mm
Nominal thickness: 0.6 mm

Tests

Tensility strength: 26 kgf min
Dielectric test: 1500 V dc for 1 minute without breakdown
Bend test at 200g, ±60°, 30 cycles/min: 15,000 cycle minimum



Revision: A			Date: 09/09/2022			Description: Initial release			Prepared: MP Digitally signed by MP Date: 2022.09.23 15:01:09 -07'00'		Notes: RoHS compliant Jacket meets ISO 10993 Biological Compatibility Phthalate and halogen free Function test: no open, no short, no intermittent		TENSILITY tel 1.541.323.3228 800 877.670.7118 fax 1.541.323.4202 web tensility.com			
Verified: PB Digitally signed by PB Date: 2022.09.26 08:06:51 -07'00'			Dimensions are in millimeters. Tolerances: X: ± 0.5 mm X.X: ± 0.3 mm X.XX: ± 0.05 mm			Description: Wire, 2C TS, 18 AWG, 150V, 70C, 4.7 mm, TPU, 75A, white, WBL		Size: A		Part number: 30-02774		Scale: 10:1				

5 4 3 2 1

To see a custom version of this cable assembly, call Tensility at 541-323-3228 or email engineering@tensility.com