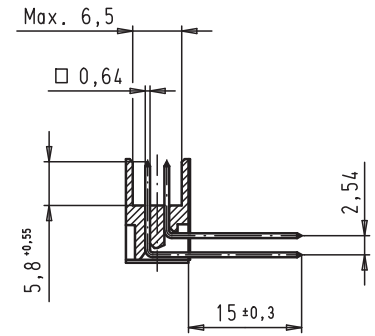
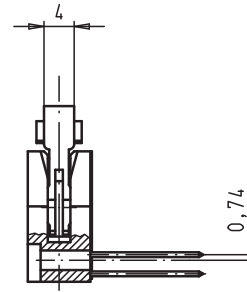
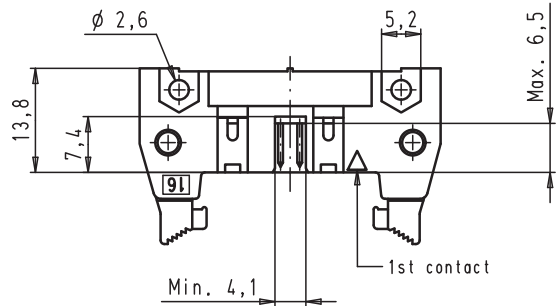
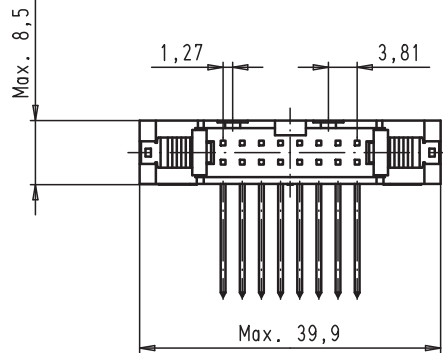
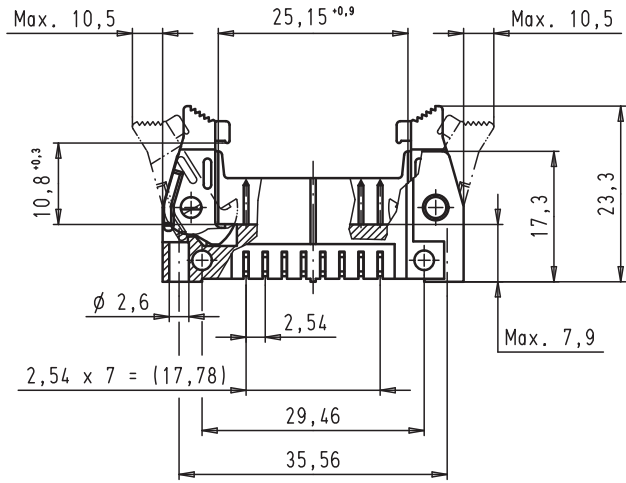




Alle Rechte vorbehalten. All rights reserved.



| | |
|----------------|-------------------|
| 09 18 516 7916 | 3 |
| 09 18 516 6916 | 2 |
| 09 18 516 5916 | 0,76 μm Au |
| Part number | Performance level |

| | | | | | | | |
|-------|----------|---------|---------------|------|---|---|----------------------------|
| | | | Det. | Name |  All Dim. in mm Orig. Size DIN A 3 | SEK 18 Male Connector Standard 16 poles Angled wrap posts Short locking levers | Maßstab/ Scale 1,5:1 |
| | | Detail. | 19/10/05 | JMDR | | | |
| | | Insp. | | | | | |
| | | Stand. | | | | | |
| 34890 | 13/06/08 | PK | HARTING EURL | |  TB 09 18 516 X916 | Blatt/ Page 1 / 1 | |
| 33244 | 19/10/05 | JMDR | F-95972 Paris | | | | |
| Mod. | Det. | Name | Sub. | | | | |