

Ratings

Voltage: 300 V
 Temperature: -40~105 °C
 Flammability: VW-1

Conductor

Conductor count: 3
 Gauge: 30 AWG 0.05 mm²
 Material: tinned copper strands
 Strand size: $\varnothing 0.1 \times 7$
 Resistance at 20 °C: 381 Ω /km max

Insulator

Material: FEP
 Color: red, black, white
 Diameter: $\varnothing 0.6 \pm 0.10$
 Nominal thickness: 0.13 mm
 Resistance at 20 °C: 10 M Ω /km min

Filler

Material: aramid fiber

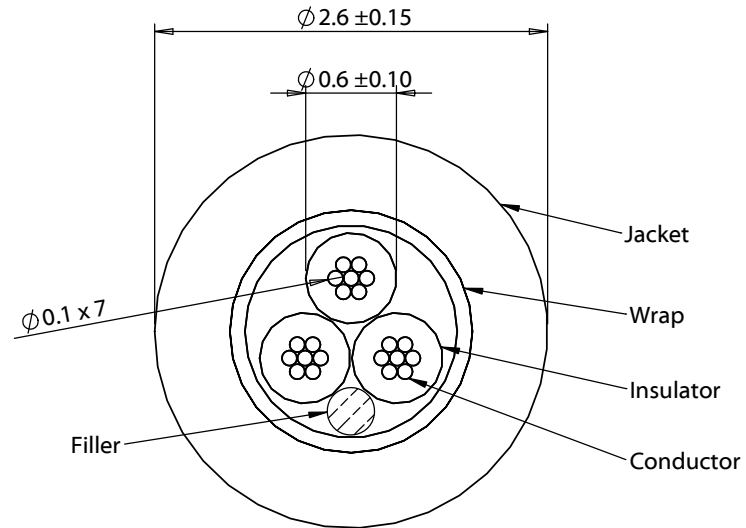
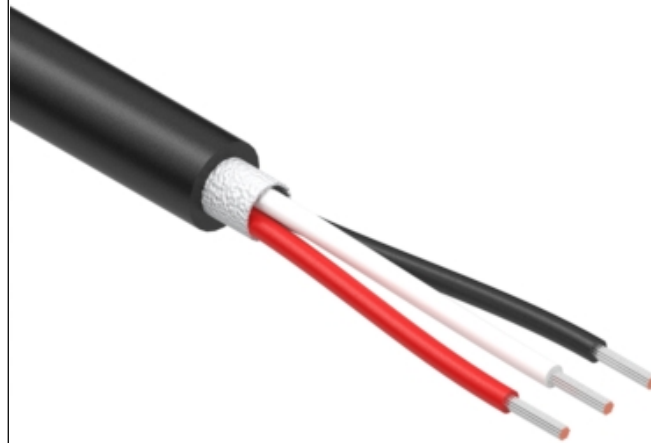
Wrap

Material: cotton paper

Outer jacket

Material: TPE
 Color: black
 Diameter: $\varnothing 2.6 \pm 0.15$
 Nominal thickness: 0.6 mm

Wire marking: E339579 UL AWM STYLE 21296 30 AWG 105°C
 300V VW-1 --- cUL AWM I A 105°C 300V FT1 TENSILITY DGT



Revision:	Date:	Description:	Prepared:	Notes:	<h1>TENSILITY</h1>	
A	4/28/2021	Initial release	AW <small>Digitally signed by AW Date: 2021.04.28 16:33:56 -07'00'</small>			RoHS compliant Phthalate free Function test: no open, no short circuit, no intermittent
			Verified:	Description:	Size:	
			JC <small>Digitally signed by JC Date: 2021.05.04 15:57:14 -07'00'</small>		Wire, 3C TS, 30 AWG, UL 21296, 300V, 105C, 2.6 mm, TPE	Part number:
			Dimensions are in millimeters. Tolerances:		A	30-01914
			X: ± 0.5 mm X.X: ± 0.3 mm X.XX: ± 0.05 mm		Scale: 20:1	Sheet 1 of 1

5

4

3

2

1