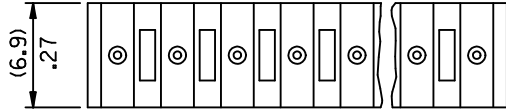
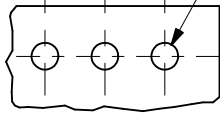


TYP. (3.96±0.1)
NON-ACCUM. .156±.004

Ø (1.45-1.57)
.057-.062 TYP.

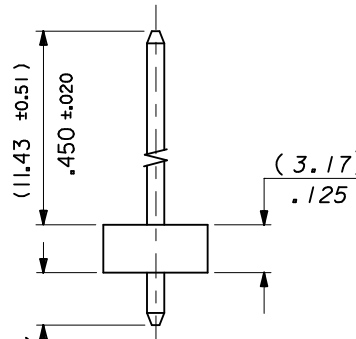
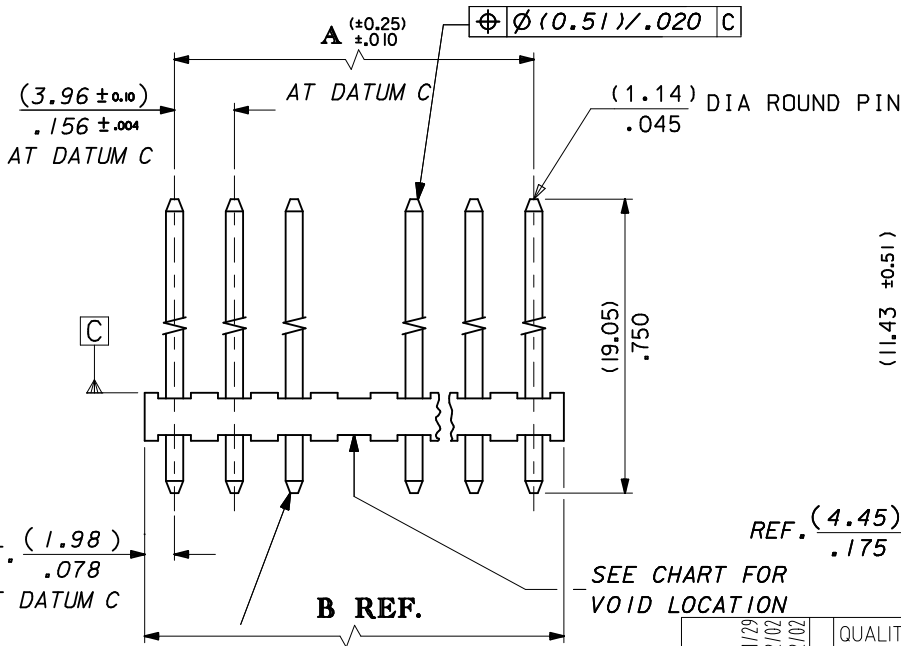
VOID CKTS	NO.OF CKTS	PART NO.	ENG. NO.	DIMN. A	DIMN. B
2	5	26-20-3051	AE-3192- 5A(222)-2	(15.85)/.624	(19.81)/.780

RECOMMENDED P.C.B.
HOLE DIMENSIONS



NOTES:

1. MATERIAL: HOUSING: NYLON, UL94V-2, COLOR: NATURAL PINS: BRASS
2. FINISH: (0.00254)/.000100 MIN. MATTE TIN OVER (0.00127)/.000050 MIN. NICKEL
3. PRODUCT SPECIFICATION: PS-99020-0087
4. PACKAGING SPECIFICATION: PER PK-3192-001
5. THIS PART CONFORMS TO CLASS B REQUIREMENTS OF COSMETIC SPECIFICATION PS-45499-002.
6. PIN PUSHOUT FORCE 13.3N / 3 LBS MIN.
7. PIN MUST CONFORM TO MOLEX SOLDERABILITY SPEC SMES-152 AFTER PLATING.
8. RECOMMENDED PCB BOARD THICKNESS: 1.6MM.



Ø (0.38)/.015 C

REVISE NOTE 2	DESCRIPTION	QUALITY SYMBOLS
EC NO: UCP2012-1821	2011/11/29	F _A =0
DRWN:MMSTROH	2011/12/02	F _C =0
CHKD:MKIPPER	2011/12/02	F _B =0
APPR:FSMITH	2012/02/02	

GENERAL TOLERANCES (UNLESS SPECIFIED)	
mm	INCH
4 PLACES ± ---	± ---
3 PLACES ± ---	± .010
2 PLACES ± 0.25	± .014
1 PLACE ± 0.35	± ---
ANGULAR ± 2 °	
DRAFT WHERE APPLICABLE MUST REMAIN WITHIN DIMENSIONS	

DIMENSION STYLE	
MM/IN	
DRAWN BY	DATE
CHECKED BY	DATE
APPROVED BY	DATE
MATERIAL NO.	
DOCUMENT NO.	
SHEET NO.	

SCALE 3:1	DESIGN UNITS METRIC	FIRST ANGLE PROJECTION
TITLE		
WAFER ASSY FLAT (3.96)/.156 CENTRES DIA (1.14)/.045 PINS		
MOLEX INCORPORATED		
SEE CHART		SDAE-3192-NA-102-*
THIS DRAWING CONTAINS INFORMATION THAT IS PROPRIETARY TO MOLEX INCORPORATED AND SHOULD NOT BE USED WITHOUT WRITTEN PERMISSION		