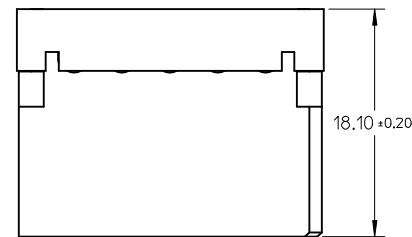
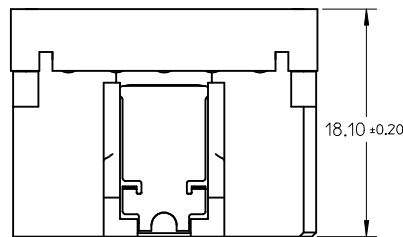
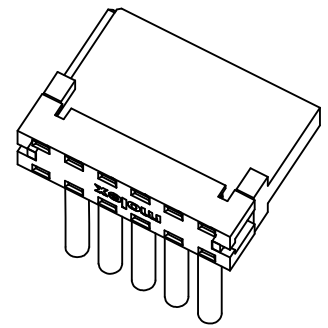
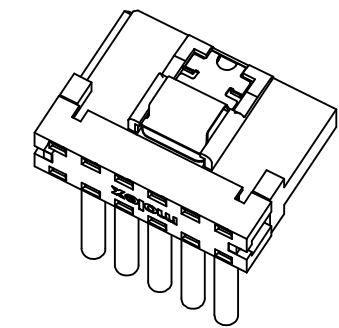
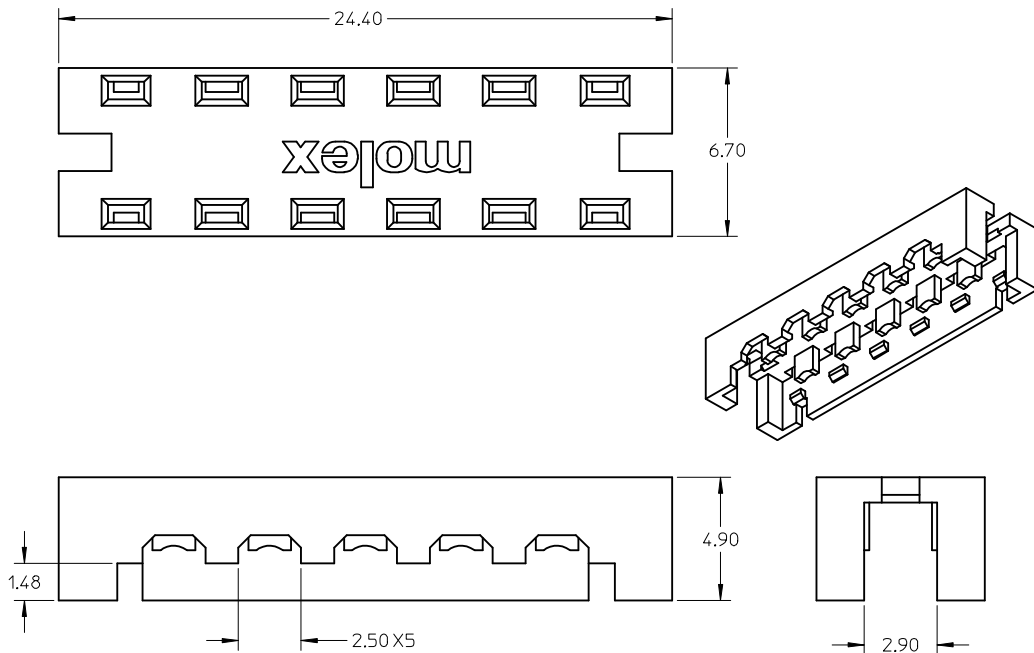


10 9 8 7 6 5 4 3 2 1



APPLICATION FOR WITH LATCH TYPE

APPLICATION FOR WITHOUT LATCH TYPE

NOTE

- 1 MATERIAL: THERMAL PLASTIC, COLOR: BLACK UL94V-0.
- 2 THIS COVER IS FEED TO TYPE, IT IS AVAILABLE FOR 67926-000*/002*(WITH LATCH), 67926-001*(WITHOUT LATCH).
- 3 PACKAGE SPEC:
 - 3.1 1000 PCS IN ONE BAG.
 - 3.2 3000 PCS(3 PAGES) IN ONE INNER CARTON.
 - 3.3 12,000 PCS(4 INNER CARTONS) IN ONE OUTER CARTON.

| P/N | REMARK |
|------------|------------------|
| 67926-0040 | NON HALOGEN-FREE |
| 67926-0840 | HALOGEN-FREE |

| | | | | | | | | | | |
|---|-------------------------------|--|----------------------|----------------------------|----------------------|----------------------|------------------------|--|------------------------------|---------------------|
| ADD PART NUMBER EC NO: SH2009-0536 TDRW: XJ SONG 2009/05/05 CHKD: XJ SONG 2009/06/19 APPR: HWANG 2009/06/23 | QUALITY SYMBOLS ▽=0 ▽=0 | GENERAL TOLERANCES (UNLESS SPECIFIED) | | DIMENSION STYLE MM ONLY | | SCALE 5:1 | DESIGN UNITS METRIC | THIRD ANGLE PROJECTION | | |
| | | 4 PLACES ± --- ± --- | 3 PLACES ± --- ± --- | 2 PLACES ± 0.15 ± --- | 1 PLACE ± 0.25 ± --- | DRAWN BY GRATE MA | DATE 2004/04/25 | TITLE FEED TO COVER FOR SATA POWER CONNECTOR IDT TYPE | | |
| | | ANGULAR ± 1 ° | | | | CHECKED BY YAJUN | DATE 2004/04/25 | MOLEX INCORPORATED | | |
| | | DRAFT WHERE APPLICABLE MUST REMAIN WITHIN DIMENSIONS | | | | APPROVED BY SAM | DATE 2004/04/25 | MATERIAL NO. SEE TABLE | DOCUMENT NO. SD-67926-003 | SHEET NO. 1 OF 1 |

9 8 7 6 5 4 3 2 1