



AMP

TE Internal #: 193991-4

Power Contacts, Contact, Silver, 8 AWG Wire Size, 8 mm² Wire Size, Wire & Cable, Crimp, Power, Pin, Copper Alloy, Semi-Bright, Silver, Semi-Bright

[View on TE.com >](#)

Connectors > Power Connectors > Power Contacts



Power Contact Type: **Contact**

Contact Mating Area Plating Material: **Silver**

Wire Size: **8 mm²**

Sealable: **No**

Features

Product Type Features

Power Contact Type	Contact
Sealable	No
Connector & Contact Terminates To	Wire & Cable

Contact Features

Contact Size	Size 8
Barrel Type	Closed
Contact Mating Area Plating Material	Silver
Contact Current Rating (Max)	60 A
Contact Type	Pin
Contact Retention Within Housing	With
Mating Pin Diameter	3.63 mm[.143 in]
Contact Base Material	Copper Alloy
Contact Mating Area Plating Material Thickness	5.08 μm[200 μin]
Contact Mating Area Plating Material Finish	Semi-Bright
Wire Contact Termination Area Plating Thickness	5.08 μm[200 μin]



Wire Contact Termination Area Plating Material	Silver
Wire Contact Termination Area Plating Material Finish	Semi-Bright
Contact Orientation	Straight
Contact Underplating Material	Nickel
Contact Underplating Material Thickness	1.27 µm[50 µin]

Termination Features

Termination Method to Wire & Cable	Crimp
------------------------------------	-------

Dimensions

Wire Size	8 mm ²
-----------	-------------------

Operation/Application

Circuit Application	Power
---------------------	-------

Industry Standards

Agency/Standard	UL
-----------------	----

Packaging Features

Packaging Quantity	1
Packaging Method	Loose Piece

Other

Power Connectors Comment	Mates with Part Number 193990-2.
--------------------------	----------------------------------

Product Compliance

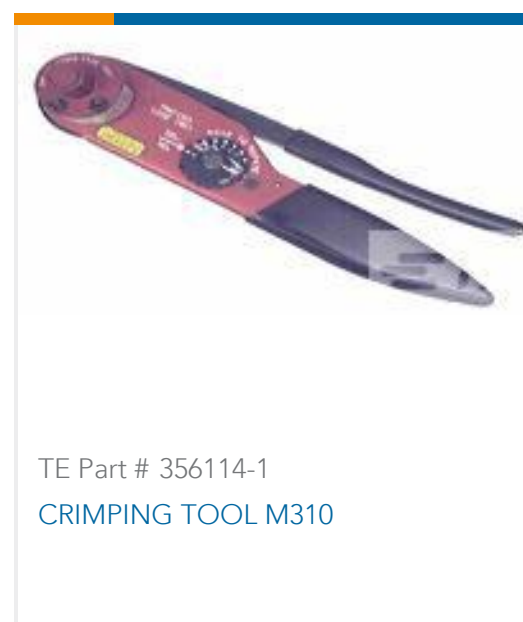
[For compliance documentation, visit the product page on TE.com>](#)

EU RoHS Directive 2011/65/EU	Compliant
EU ELV Directive 2000/53/EC	Compliant
China RoHS 2 Directive MIIT Order No 32, 2016	No Restricted Materials Above Threshold
EU REACH Regulation (EC) No. 1907/2006	Current ECHA Candidate List: JUNE 2023 (235) Candidate List Declared Against: JAN 2023 (233) Does not contain REACH SVHC
Halogen Content	Low Halogen - Br, Cl, F, I < 900 ppm per homogenous material. Also BFR/CFR/PVC Free
Solder Process Capability	Not applicable for solder process capability

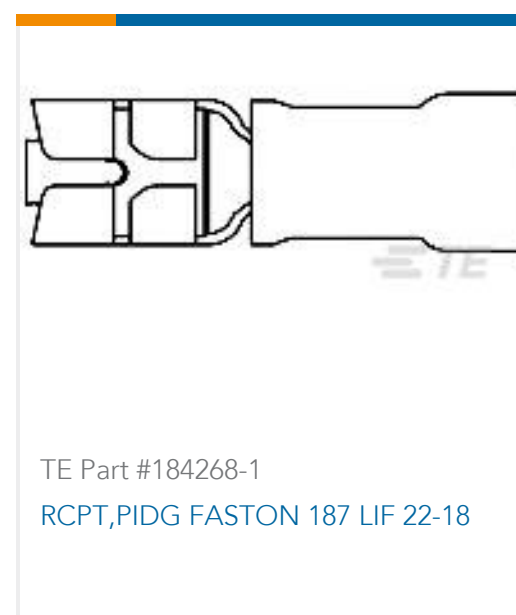
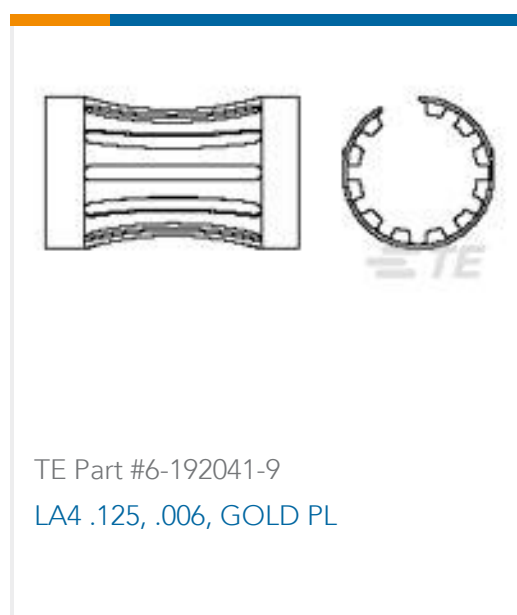
Product Compliance Disclaimer

This information is provided based on reasonable inquiry of our suppliers and represents our current actual knowledge based on the information they provided. This information is subject to change. The part numbers that TE has identified as EU RoHS compliant have a maximum concentration of 0.1% by weight in homogenous materials for lead, hexavalent chromium, mercury, PBB, PBDE, DBP, BBP, DEHP, DIBP, and 0.01% for cadmium, or qualify for an exemption to these limits as defined in the Annexes of Directive 2011/65/EU (RoHS2). Finished electrical and electronic equipment products will be CE marked as required by Directive 2011/65/EU. Components may not be CE marked. Additionally, the part numbers that TE has identified as EU ELV compliant have a maximum concentration of 0.1% by weight in homogenous materials for lead, hexavalent chromium, and mercury, and 0.01% for cadmium, or qualify for an exemption to these limits as defined in the Annexes of Directive 2000/53/EC (ELV). Regarding the REACH Regulation, the information TE provides on SVHC in articles for this part number is based on the latest European Chemicals Agency (ECHA) 'Guidance on requirements for substances in articles' posted at this URL: <https://echa.europa.eu/guidance-documents/guidance-on-reach>

Compatible Parts



Customers Also Bought



Documents

Product Drawings

PIN ASSY. TPE XII

English

CAD Files

Customer View Model



[ENG_CVM_CVM_193991-4_B.3d_igs.zip](#)

English

Customer View Model

[ENG_CVM_CVM_193991-4_B.3d_stp.zip](#)

English

Customer View Model

[ENG_CVM_CVM_193991-4_B.2d_dxf.zip](#)

English

[3D PDF](#)

3D

[3D PDF](#)

English

Customer View Model

[ENG_CVM_193991-4_D.2d_dxf.zip](#)

English

Customer View Model

[ENG_CVM_193991-4_D.3d_igs.zip](#)

English

Customer View Model

[ENG_CVM_193991-4_D.3d_stp.zip](#)

English

By downloading the CAD file I accept and agree to the [Terms and Conditions](#) of use.

Datasheets & Catalog Pages

[M_SERIES_PIN_AND_SOCKET_CONNECTORS](#)

English

Product Environmental Compliance

[MD_193991-4_04212016253_dmtec](#)

English

[MD_193991-4_04212016253_dmtec](#)

English