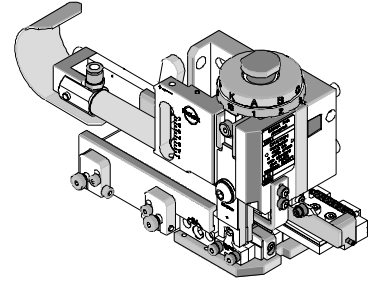




Mini-Mac Applicator Application Tooling Specification Air Feed-Mylar Tape Order No. 63885-3400



FEATURES

- Directly adapts to most crimp presses and automatic wire processors
- Applicator designed to industry standard mounting and shut height of 135.80mm (5.346")
- Conductor and insulation rings allow quick adjustment for conductor and insulation crimp height change
- Quick set-up time; plus the crimp height, track and feed adjustments can be set without removing the applicator from the crimp press

SCOPE

Products: Avikrimp® Snap Plugs and Tongue Terminals 14-16 AWG

Testing

Mechanical

The tensile test, or pull test, is a means of evaluating the mechanical properties of the crimped connections. The following chart shows the UL and government specifications (MIL-T-7928) for various wire sizes. The tensile strength is shown in pounds and indicates the minimum acceptable force to break or separate the terminal from the conductor.

Color Code	Wire Size (AWG)	*UL - 486 A	*UL - 486 C	*UL - 310	*Military Class 2
Yellow	26	3	N/A	N/A	7
Yellow	24	5	N/A	N/A	10
Red	22	8	8	8	15
Red	20	13	10	13	19
Red	18	20	10	20	38
Blue	16	30	15	30	50
Blue	14	50	25	50	70
Yellow	12	70	35	70	110
Yellow	10	80	40	80	150
Red	8	90	45	N/A	225
Blue	6	100	50	N/A	300

*UL - 486 A - Terminals (Copper conductors only)

*UL - 486 C - Butt Splices, Parallel Splices, Closed End Connectors, and Wire Nuts

*UL - 310 - Quick Disconnects, Flag and Couplers

*Military Class 2 - Military Approved Terminals only as listed

Product List

The following is a partial list of the product order numbers and their specifications that this tool is designed to run. Updates to this list are available on www.molex.com.

Terminal No.	Terminal Eng. No.	Wire Size		Insulation Diameter Max.		Strip Length	
		AWG	mm ²	mm	In.	mm	In.
190230014	MCT-2XT	14-16	2.00-1.30	4.40	.175	7.92	.312
190250009	MCT-57T	14-16	2.00-1.30	4.30	.170	7.92	.312
190250010	MCT-5T	14-16	2.00-1.30	4.30	.170	7.92	.312
190340008	B-279XT	14-16	2.00-1.30			7.92	.312
190340010	B-289XT	14-16	2.00-1.30			7.92	.312
190350007	B-579BT	14-16	2.00-1.30			7.92	.312
190350008	B-579T	14-16	2.00-1.30	4.30	.170	7.92	.312
190350011	B-589BT	14-16	2.00-1.30			7.92	.312
190350012	B-589T	14-16	2.00-1.30	4.30	.170	7.92	.312
190360007	B-879T	14-16	2.00-1.30	4.30	.170	7.92	.312
190360009	B-889T	14-16	2.00-1.30	4.30	.170	7.92	.312
190540014	B-218-10XT	14-16	2.00-1.30			7.92	.312
190540015	B-223-02XT	14-16	2.00-1.30			7.92	.312
190540016	B-223-04XT	14-16	2.00-1.30			7.92	.312
190540019	B-225-10XT	14-16	2.00-1.30			7.92	.312
190540026	B-237-04XT	14-16	2.00-1.30			7.92	.312
190540027	B-239-04XT	14-16	2.00-1.30			7.92	.312
190540028	B-239-06XT	14-16	2.00-1.30			7.92	.312
190540029	B-239-08XT	14-16	2.00-1.30			7.92	.312
190540074	B-218-14XT	14-16	2.00-1.30			7.92	.312
190540076	B-218-38XT	14-16	2.00-1.30			7.92	.312
190540078	B-218-56XT	14-16	2.00-1.30			7.92	.312
190540082	B-223-06XT	14-16	2.00-1.30			7.92	.312
190540084	B-223-08XT	14-16	2.00-1.30			7.92	.312
190540087	B-225-14XT	14-16	2.00-1.30			7.92	.312
190540089	B-225-56XT	14-16	2.00-1.30			7.92	.312
190540109	B-237-06XT	14-16	2.00-1.30			7.92	.312
190540112	B-237-08XT	14-16	2.00-1.30			7.92	.312
190540115	B-237-10XT	14-16	2.00-1.30			7.92	.312
190540120	B-239-10XT	14-16	2.00-1.30			7.92	.312
190550047	B-618-10XT	14-16	2.00-1.30			7.92	.312
190550049	B-618-14XT	14-16	2.00-1.30			7.92	.312
190550051	B-618-38XT	14-16	2.00-1.30			7.92	.312
190550053	B-618-56XT	14-16	2.00-1.30			7.92	.312
190550055	B-623-02XT	14-16	2.00-1.30			7.92	.312
190550057	B-623-04XT	14-16	2.00-1.30			7.92	.312
190550060	B-623-06XT	14-16	2.00-1.30			7.92	.312
190550062	B-623-08XT	14-16	2.00-1.30			7.92	.312
190550064	B-625-10XT	14-16	2.00-1.30			7.92	.312
190550067	B-625-14XT	14-16	2.00-1.30			7.92	.312
190550069	B-625-56XT	14-16	2.00-1.30			7.92	.312
190550096	B-637-04XT	14-16	2.00-1.30			7.92	.312
190550098	B-637-06XT	14-16	2.00-1.30			7.92	.312
190550101	B-637-08XT	14-16	2.00-1.30			7.92	.312
190550104	B-637-10XT	14-16	2.00-1.30			7.92	.312
190550106	B-639-04XT	14-16	2.00-1.30			7.92	.312
190550108	B-639-06XT	14-16	2.00-1.30			7.92	.312
190550110	B-639-08XT	14-16	2.00-1.30			7.92	.312
190550112	B-639-10XT	14-16	2.00-1.30			7.92	.312
190570043	B-518-10T	14-16	2.00-1.30			7.92	.312
190570045	B-518-14T	14-16	2.00-1.30			7.92	.312
190570047	B-518-38T	14-16	2.00-1.30			7.92	.312
190570049	B-518-56T	14-16	2.00-1.30			7.92	.312
190570051	B-523-02T	14-16	2.00-1.30			7.92	.312

Terminal No.	Terminal Eng. No.	Wire Size		Insulation Diameter Max.		Strip Length	
		AWG	mm ²	mm	In.	mm	In.
190570053	B-523-04T	14-16	2.00-1.30			7.92	.312
190570055	B-523-06T	14-16	2.00-1.30			7.92	.312
190570057	B-523-08T	14-16	2.00-1.30			7.92	.312
190570059	B-525-10T	14-16	2.00-1.30			7.92	.312
190570061	B-525-14T	14-16	2.00-1.30			7.92	.312
190570063	B-525-56T	14-16	2.00-1.30			7.92	.312
190570087	B-537-04T	14-16	2.00-1.30			7.92	.312
190570089	B-537-06T	14-16	2.00-1.30			7.92	.312
190570092	B-537-08T	14-16	2.00-1.30			7.92	.312
190570095	B-537-10T	14-16	2.00-1.30			7.92	.312
190570097	B-539-04T	14-16	2.00-1.30			7.92	.312
190570099	B-539-06T	14-16	2.00-1.30			7.92	.312
190570101	B-539-08T	14-16	2.00-1.30			7.92	.312
190570103	B-539-10T	14-16	2.00-1.30			7.92	.312
190580030	B-823-06T	14-16	2.00-1.30			7.92	.312
190580031	B-823-08T	14-16	2.00-1.30			7.92	.312
190580107	B-839-10T	14-16	2.00-1.30			7.92	.312
190800004	B-2006-MSXT	14-16	2.00-1.30			7.92	.312
190810004	B-5006-MST	14-16	2.00-1.30			7.92	.312
190890062	B-208-04XT	14-16	2.00-1.30			7.92	.312
190890063	B-208-06XT	14-16	2.00-1.30			7.92	.312
190890064	B-209-06XT	14-16	2.00-1.30			7.92	.312
190890065	B-209-08XT	14-16	2.00-1.30			7.92	.312
190890066	B-209-10XT	14-16	2.00-1.30			7.92	.312
190890067	B-213-04XT	14-16	2.00-1.30			7.92	.312
190890068	B-213-06XT	14-16	2.00-1.30			7.92	.312
190890069	B-213-08XT	14-16	2.00-1.30			7.92	.312
190890070	B-282-06XT	14-16	2.00-1.30			7.92	.312
190890071	B-282-08XT	14-16	2.00-1.30			7.92	.312
190890072	B-282-10XT	14-16	2.00-1.30			7.92	.312
190890073	B-285-06XT	14-16	2.00-1.30			7.92	.312
190890074	B-285-08XT	14-16	2.00-1.30			7.92	.312
190890075	B-285-10XT	14-16	2.00-1.30			7.92	.312
190890076	B-288-04XT	14-16	2.00-1.30			7.92	.312
190890077	B-288-06XT	14-16	2.00-1.30			7.92	.312
190890078	B-288-08XT	14-16	2.00-1.30			7.92	.312
190890079	B-288-10XT	14-16	2.00-1.30			7.92	.312
190910039	B-608-04XT	14-16	2.00-1.30			7.92	.312
190910041	B-608-06XT	14-16	2.00-1.30			7.92	.312
190910045	B-609-06XT	14-16	2.00-1.30			7.92	.312
190910047	B-609-08XT	14-16	2.00-1.30			7.92	.312
190910049	B-609-10XT	14-16	2.00-1.30			7.92	.312
190910051	B-613-04XT	14-16	2.00-1.30			7.92	.312
190910053	B-613-06XT	14-16	2.00-1.30			7.92	.312
190910055	B-613-08XT	14-16	2.00-1.30			7.92	.312
190910061	B-682-06XT	14-16	2.00-1.30			7.92	.312
190910063	B-682-08XT	14-16	2.00-1.30			7.92	.312
190910065	B-682-10XT	14-16	2.00-1.30			7.92	.312
190910066	B-685-04XT	14-16	2.00-1.30			7.92	.312
190910068	B-685-06XT	14-16	2.00-1.30			7.92	.312
190910070	B-685-08XT	14-16	2.00-1.30			7.92	.312
190910072	B-685-10XT	14-16	2.00-1.30			7.92	.312
190910074	B-688-04XT	14-16	2.00-1.30			7.92	.312
190910076	B-688-06XT	14-16	2.00-1.30			7.92	.312

Air Feed Mylar Tape Applicator

Terminal No.	Terminal Eng. No.	Wire Size		Insulation Diameter Max.		Strip Length	
		AWG	mm ²	mm	In.	mm	In.
190910078	B-688-08XT	14-16	2.00-1.30			7.92	.312
190910080	B-688-10XT	14-16	2.00-1.30			7.92	.312
190940040	B-508-04T	14-16	2.00-1.30			7.92	.312
190940042	B-508-06T	14-16	2.00-1.30			7.92	.312
190940046	B-509-06T	14-16	2.00-1.30			7.92	.312
190940048	B-509-08T	14-16	2.00-1.30			7.92	.312
190940050	B-509-10T	14-16	2.00-1.30			7.92	.312
190940052	B-513-04T	14-16	2.00-1.30			7.92	.312
190940054	B-513-06T	14-16	2.00-1.30			7.92	.312
190940056	B-513-08T	14-16	2.00-1.30			7.92	.312
190940062	B-582-06T	14-16	2.00-1.30			7.92	.312
190940064	B-582-08T	14-16	2.00-1.30			7.92	.312
190940066	B-582-10T	14-16	2.00-1.30			7.92	.312
190940068	B-585-06T	14-16	2.00-1.30			7.92	.312
190940070	B-585-08T	14-16	2.00-1.30			7.92	.312
190940072	B-585-10T	14-16	2.00-1.30			7.92	.312
190940074	B-588-04T	14-16	2.00-1.30			7.92	.312
190940076	B-588-06T	14-16	2.00-1.30			7.92	.312
190940078	B-588-08T	14-16	2.00-1.30			7.92	.312
190940080	B-588-10T	14-16	2.00-1.30			7.92	.312
191190027	B-216-06XT	14-16	2.00-1.30			7.92	.312
191190030	B-216-08XT	14-16	2.00-1.30			7.92	.312
191190033	B-216-10XT	14-16	2.00-1.30			7.92	.312
191190062	B-216-04XT	14-16	2.00-1.30			7.92	.312
191190066	B-280-06XT	14-16	2.00-1.30			7.92	.312
191190067	B-280-08XT	14-16	2.00-1.30			7.92	.312
191190068	B-280-10XT	14-16	2.00-1.30			7.92	.312
191190069	B-283-06XT	14-16	2.00-1.30			7.92	.312
191190070	B-283-10XT	14-16	2.00-1.30			7.92	.312
191190071	B-286-04XT	14-16	2.00-1.30			7.92	.312
191190072	B-286-06XT	14-16	2.00-1.30			7.92	.312
191190073	B-286-08XT	14-16	2.00-1.30			7.92	.312
191200034	B-616-04XT	14-16	2.00-1.30			7.92	.312
191200036	B-616-06XT	14-16	2.00-1.30			7.92	.312
191200038	B-616-08XT	14-16	2.00-1.30			7.92	.312
191200040	B-616-10XT	14-16	2.00-1.30			7.92	.312
191200052	B-680-06XT	14-16	2.00-1.30			7.92	.312
191200054	B-680-08XT	14-16	2.00-1.30			7.92	.312
191200056	B-680-10XT	14-16	2.00-1.30			7.92	.312
191200058	B-683-06XT	14-16	2.00-1.30			7.92	.312
191200060	B-683-08XT	14-16	2.00-1.30			7.92	.312
191200062	B-683-10XT	14-16	2.00-1.30			7.92	.312
191200064	B-686-04XT	14-16	2.00-1.30			7.92	.312
191200066	B-686-06XT	14-16	2.00-1.30			7.92	.312
191200068	B-686-08XT	14-16	2.00-1.30			7.92	.312
191250032	B-516-04T	14-16	2.00-1.30			7.92	.312
191250034	B-516-06T	14-16	2.00-1.30			7.92	.312
191250036	B-516-08T	14-16	2.00-1.30			7.92	.312
191250038	B-516-10T	14-16	2.00-1.30			7.92	.312
191250050	B-580-06T	14-16	2.00-1.30			7.92	.312
191250052	B-580-08T	14-16	2.00-1.30			7.92	.312
191250054	B-580-10T	14-16	2.00-1.30			7.92	.312
191250056	B-583-06T	14-16	2.00-1.30			7.92	.312
191250058	B-583-08T	14-16	2.00-1.30			7.92	.312
191250060	B-583-10T	14-16	2.00-1.30			7.92	.312
191250062	B-586-04T	14-16	2.00-1.30			7.92	.312
191250064	B-586-06T	14-16	2.00-1.30			7.92	.312
191250066	B-586-08T	14-16	2.00-1.30			7.92	.312
191260006	B-816-06T	14-16	2.00-1.30			7.92	.312
191300012	B-2781-06XT	14-16	2.00-1.30			7.92	.312
191300013	B-2781-08XT	14-16	2.00-1.30			7.92	.312
191300014	B-2471-04XT	14-16	2.00-1.30			7.92	.312

Terminal No.	Terminal Eng. No.	Wire Size		Insulation Diameter Max.		Strip Length	
		AWG	mm ²	mm	In.	mm	In.
191300015	B-2471-06XT	14-16	2.00-1.30			7.92	.312
191300016	B-2491-06XT	14-16	2.00-1.30			7.92	.312
191300017	B-2491-08XT	14-16	2.00-1.30			7.92	.312
191300018	B-2491-10XT	14-16	2.00-1.30			7.92	.312
191420021	B-207-06XT	14-16	2.00-1.30			7.92	.312
191420025	B-224-06XT	14-16	2.00-1.30			7.92	.312
191420031	B-227-08XT	14-16	2.00-1.30			7.92	.312
191420033	B-227-10XT	14-16	2.00-1.30			7.92	.312
191420069	B-207-04XT	14-16	2.00-1.30			7.92	.312
191420070	B-207-08XT	14-16	2.00-1.30			7.92	.312
191420071	B-224-04XT	14-16	2.00-1.30			7.92	.312
191420072	B-224-08XT	14-16	2.00-1.30			7.92	.312
191420073	B-227-06XT	14-16	2.00-1.30			7.92	.312
191420076	B-281-06XT	14-16	2.00-1.30			7.92	.312
191420077	B-281-08XT	14-16	2.00-1.30			7.92	.312
191420078	B-281-10XT	14-16	2.00-1.30			7.92	.312
191420079	B-284-06XT	14-16	2.00-1.30			7.92	.312
191420080	B-284-08XT	14-16	2.00-1.30			7.92	.312
191420082	B-284-10XT	14-16	2.00-1.30			7.92	.312
191420083	B-287-04XT	14-16	2.00-1.30			7.92	.312
191420084	B-287-06XT	14-16	2.00-1.30			7.92	.312
191420085	B-287-08XT	14-16	2.00-1.30			7.92	.312
191430040	B-607-04XT	14-16	2.00-1.30			7.92	.312
191430043	B-607-06XT	14-16	2.00-1.30			7.92	.312
191430044	B-607-08XT	14-16	2.00-1.30			7.92	.312
191430046	B-624-04XT	14-16	2.00-1.30			7.92	.312
191430048	B-624-06XT	14-16	2.00-1.30			7.92	.312
191430051	B-624-08XT	14-16	2.00-1.30			7.92	.312
191430053	B-627-06XT	14-16	2.00-1.30			7.92	.312
191430055	B-627-08XT	14-16	2.00-1.30			7.92	.312
191430058	B-627-10XT	14-16	2.00-1.30			7.92	.312
191430075	B-681-06XT	14-16	2.00-1.30			7.92	.312
191430077	B-681-08XT	14-16	2.00-1.30			7.92	.312
191430079	B-681-10XT	14-16	2.00-1.30			7.92	.312
191430081	B-684-06XT	14-16	2.00-1.30			7.92	.312
191430083	B-684-08XT	14-16	2.00-1.30			7.92	.312
191430085	B-684-10XT	14-16	2.00-1.30			7.92	.312
191430087	B-687-04XT	14-16	2.00-1.30			7.92	.312
191430089	B-687-06XT	14-16	2.00-1.30			7.92	.312
191430091	B-687-08XT	14-16	2.00-1.30			7.92	.312
191710008	B-219-06XT	14-16	2.00-1.30			7.92	.312
191710010	B-219-08XT	14-16	2.00-1.30			7.92	.312
191710013	B-219-10XT	14-16	2.00-1.30			7.92	.312
191740008	B-519-06T	14-16	2.00-1.30			7.92	.312
191740010	B-519-08T	14-16	2.00-1.30			7.92	.312
191740012	B-519-10T	14-16	2.00-1.30			7.92	.312
191750008	B-619-06XT	14-16	2.00-1.30			7.92	.312
191750010	B-619-08XT	14-16	2.00-1.30			7.92	.312
191750012	B-619-10XT	14-16	2.00-1.30			7.92	.312
191960025	B-507-04T	14-16	2.00-1.30			7.92	.312
191960028	B-507-06T	14-16	2.00-1.30			7.92	.312
191960029	B-507-08T	14-16	2.00-1.30			7.92	.312
191960031	B-524-04T	14-16	2.00-1.30			7.92	.312
191960033	B-524-06T	14-16	2.00-1.30			7.92	.312
191960036	B-524-08T	14-16	2.00-1.30			7.92	.312
191960038	B-527-06T	14-16	2.00-1.30			7.92	.312
191960040	B-527-08T	14-16	2.00-1.30			7.92	.312
191960043	B-527-10T	14-16	2.00-1.30			7.92	.312
191960054	B-581-06T	14-16	2.00-1.30			7.92	.312
191960055	B-581-08T	14-16	2.00-1.30			7.92	.312
191960056	B-581-10T	14-16	2.00-1.30			7.92	.312
191960057	B-584-06T	14-16	2.00-1.30			7.92	.312

Terminal No.	Terminal Eng. No.	Wire Size		Insulation Diameter Max.		Strip Length	
		AWG	mm ²	mm	In.	mm	In.
191960058	B-584-08T	14-16	2.00-1.30			7.92	.312
191960059	B-584-10T	14-16	2.00-1.30			7.92	.312
191960060	B-587-04T	14-16	2.00-1.30			7.92	.312
191960061	B-587-06T	14-16	2.00-1.30			7.92	.312
191960062	B-587-08T	14-16	2.00-1.30			7.92	.312

Terminal No.	Terminal Eng. No.	Wire Size		Insulation Diameter Max.		Strip Length	
		AWG	mm ²	mm	In.	mm	In.
191970009	B-807-06T	14-16	2.00-1.30			7.92	.312
191970012	B-824-08T	14-16	2.00-1.30			7.92	.312
	B-283-08XT	14-16	2.00-1.30			7.92	.312
	SPL-0120BKT	14-16	2.00-1.30			7.92	.312

DEFINITION OF TERMS

The following illustrations are a generic terminal representation and not an exact image of any terminal listed in the scope.

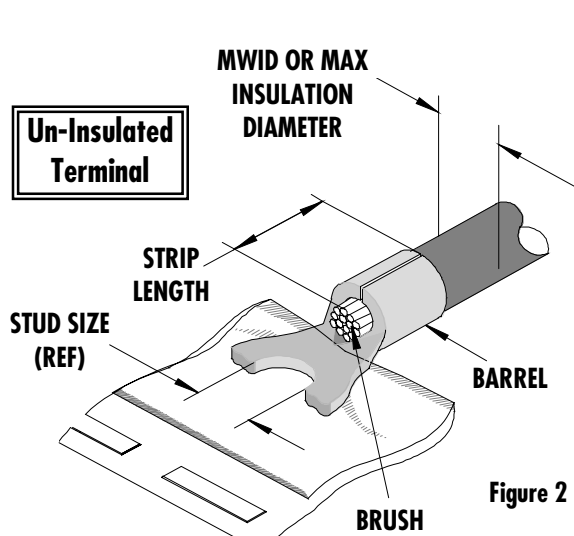
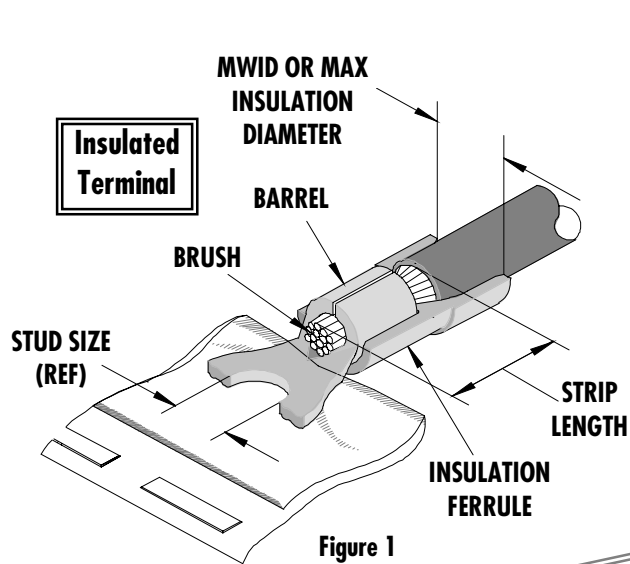


Figure 2

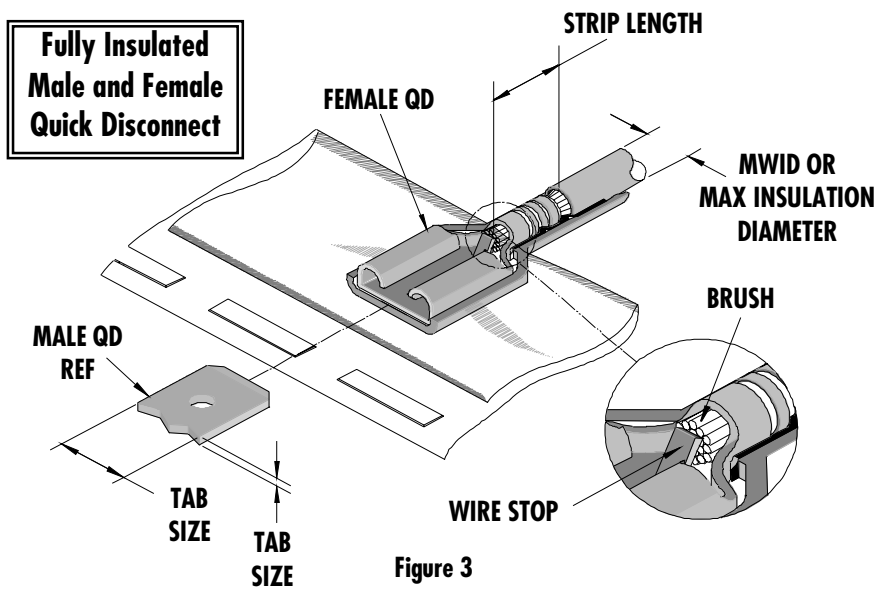
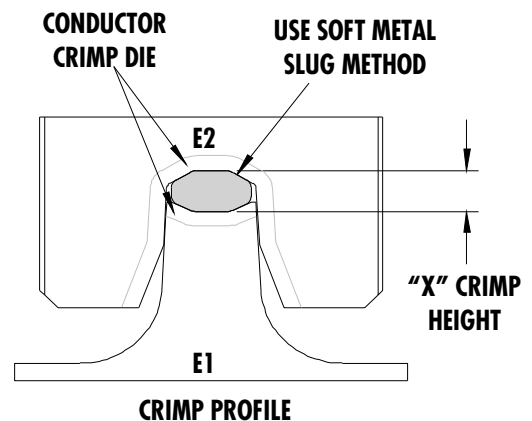


Figure 3

Tool Calibration

To recalibrate this applicator, make sure the power is completely shut off on the press.

1. The Mini-Mac applicator must be properly installed in the press.
2. Crimping dies must be properly installed in the Mini-Mac applicator.
3. The recommended method of measuring the crimp height of the conductor dies is the soft metal slug method, (See Figure 4).
4. The slug must have a diameter 0.51 mm (.020") larger than the "X" No Go dimension before crimping.
5. Place the soft metal slug (solder) into the nest of the bottom die and crimp (by hand cycling the press) similar to a terminal. The crimp height can be measured with a blade type micrometer or dial caliper, (Dimension "X").
6. Adjustment of the crimp height can be accomplished by indexing the conductor cam. The letter "A" gives the loosest position and "K" gives the tightest position. A total adjustment of 0.50mm (.020") can be achieved by adjusting the conductor cam.



Use soft metal slug (solder) method to measure the "X" dimension. Verify tooling crimp height calibration by referring to the Go/No Go dimensions shown in the chart below.

Figure 4

Note: If the crimp height is too tight on the setting "A", check the shut height of the press. See the Industrial Mini-Mac Applicator Manual Section 2.1 for adjustments.

CRIMP SPECIFICATIONS

Wire Size		"X" Dimension Conductor Crimp						Pull Force Min.	
AWG	mm ²	Mean		Go		No Go		Lbs	N
		In	mm	In	mm	In	mm		
16	1.30	.120	3.05	.117	2.97	.124	3.15	30.0	133.5
14	2.00	.120	3.05	.117	2.97	.124	3.15	50.0	222.6

Pull Force should be measured with no influence from the insulation crimp. The above specifications are guidelines to an optimum crimp.

PARTS LIST

Mini-Mac Applicator 63885-3400				
Item	Order No	Engineering No.	Description	Quantity
Perishable Tooling				
	63885-3470	63885-3470	Tool Kit (All "Y" Items)	REF
1	63465-0031	63465-0031	Conductor Punch	1 Y
2	63464-0030	63464-0030	Conductor Anvil	1 Y
3	63463-0030	63463-0030	Insulation Punch	1 Y
4	63462-0032	63462-0032	Insulation Anvil	1 Y
Other Components (Ref. 50050)				
31	63466-0912	63466-0912	Anvil Mount	1
32	63466-0913	63466-0913	Terminal Support	1
33	63443-0021	63443-0021	Lower Tooling Key	1
42	63466-0921	63466-0921	Terminal Stripping Blade	1
51	63600-1290	63600-1290	Washer	1
52	63890-0866	63890-0866	Collar-6.4mm Lg.	1
53	63890-0867	63890-0867	Collar-7.7mm Lg.	1
Frame				
81	63801-3301	63801-3301	Air Feed Applicator Frame Head	REF
82	63801-3281	63801-3281	Base	REF
83	63801-5850	63801-5850	Track Assembly	REF
84	63801-3390	63801-3390	Air Kit	REF
Hardware				
91	N/A	N/A	M3 by 12 Lg SHCS	1**
92	N/A	N/A	M4 by 10 Lg SHCS	2**
93	N/A	N/A	M4 by 16 Lg. SHCS	1**
94	N/A	N/A	M4 by 45 Lg. SHCS	1**
95	N/A	N/A	M8 by 30 Lg. BHCS	1**
96	N/A	N/A	3mm by 6 Lg. Roll Pin	1**
** Available from an industrial supply company such as MSC (1-800-645-7270).				

Note: Crimp profiles used in 63885-3400 are equivalent to 19032-0165/MMT-B-520 and 19288-0095/ATP-B-520 (UL file number E79133 and E32244).

Assembly Drawing

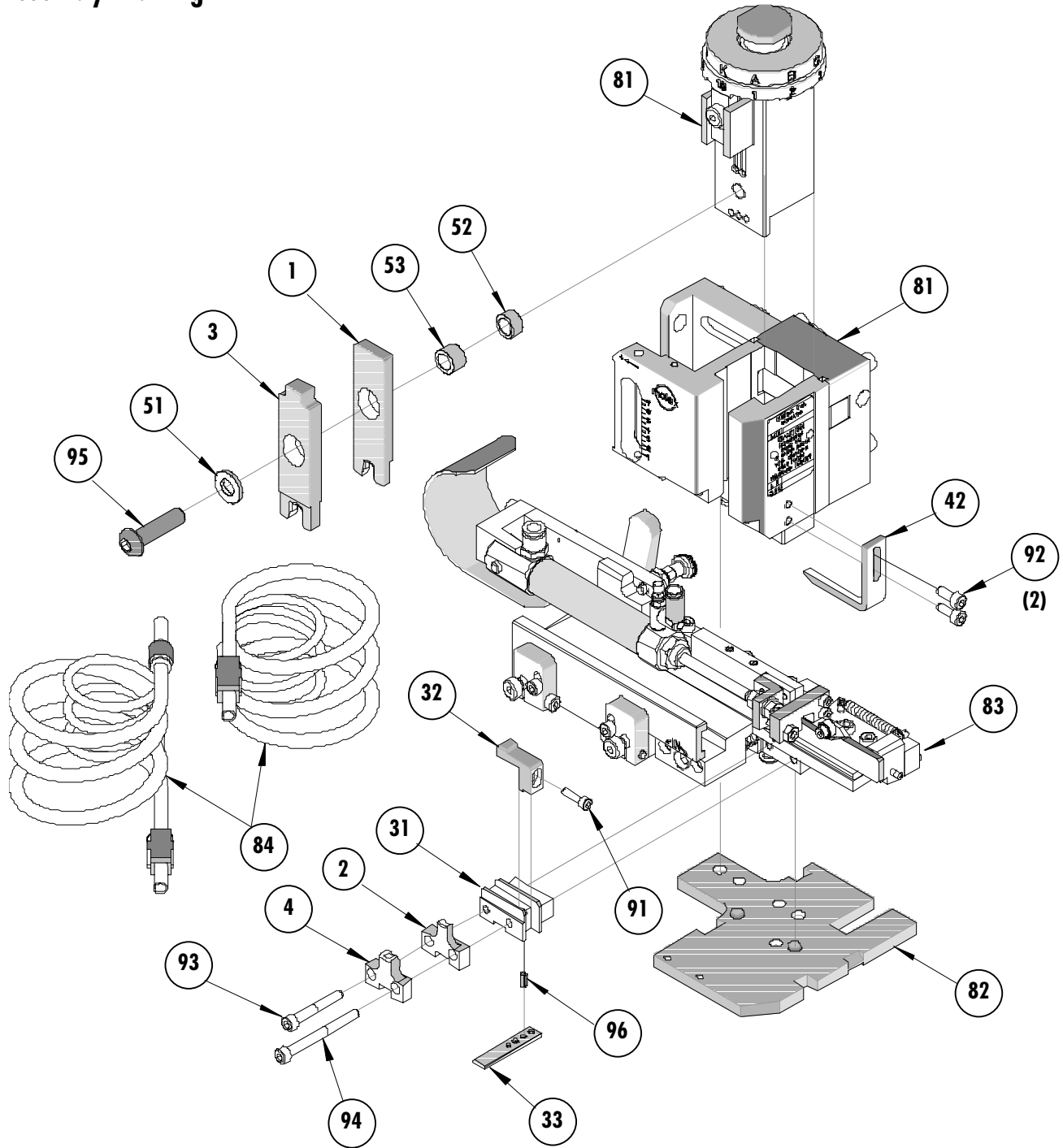


Figure 5

NOTES

1. Molex recommends an extra perishable tooling kit be maintained at your facility.
2. Verify tooling alignment by manually cycling the press with applicator before crimping under power. Check that all screws are tight.
3. Slugs, terminals, dirt, and oil should be kept clear of work area.
4. Wear safety glasses at all times.
5. For recommended maintenance refer to the Mini-Mac Applicator Manual (Document no. 63880-0000).

CAUTION: This applicator should only be used in a press with a shut height of 135.80 mm (5.346"). Tooling damage could result at a lower setting.

CAUTION: To prevent injury, never operate this applicator without the guards supplied with the press or wire-processing machine in place. Reference the press or wire processing manufacturer's instruction manual.

CAUTION: Molex crimp specifications are valid only when used with Molex terminals, applicators and tooling.

Contact Information

For more information on Molex application tooling please contact Molex at 1-800-786-6539.

Molex Application Tooling Group

1150 E. Diehl Road
Naperville, IL 60563
Tel: (630) 969-4550
Fax: (630) 505-0049

Visit our Web site at <http://www.molex.com>