

3-175133-0 ✓ ACTIVE



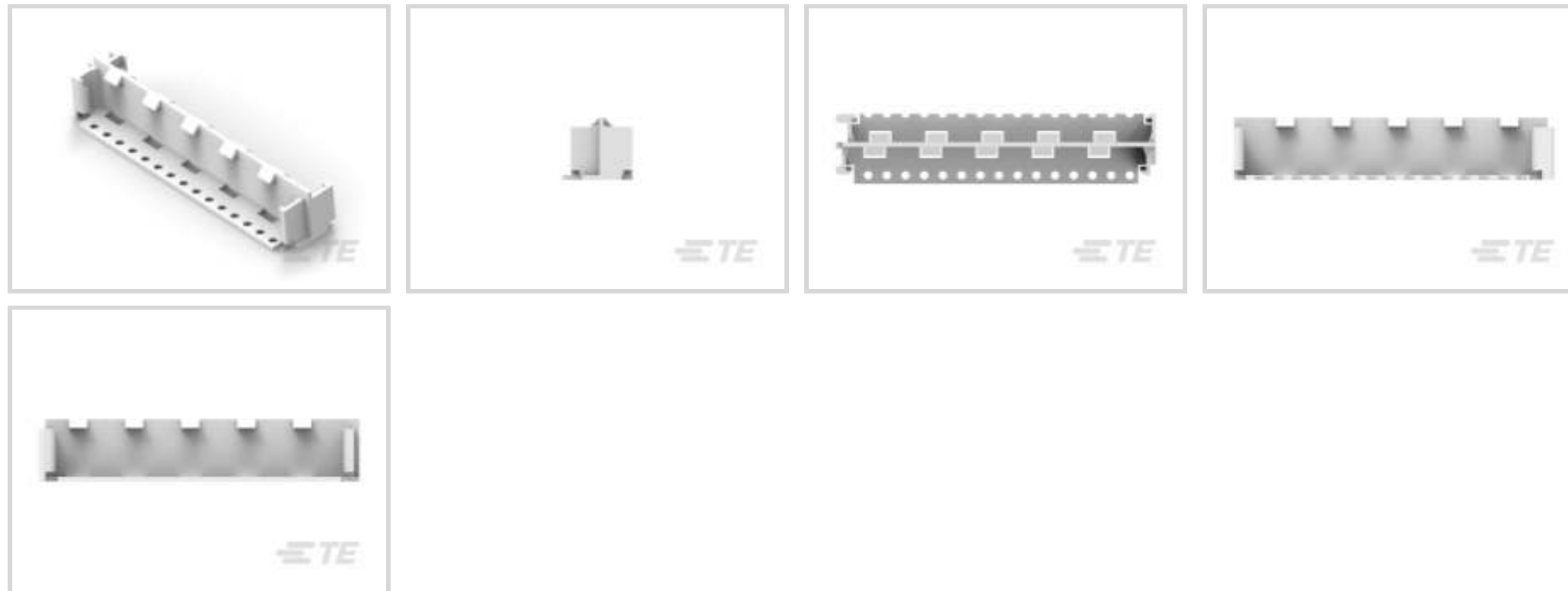
AMP CT

TE Internal #: 3-175133-0

PCB Connector Mounting, 30 Position, .079 in [2 mm] Centerline, 28 – 24 AWG Wire Size, Ivory, -22 – 221 °F [-30 – 105 °C], AMP CT

[View on TE.com >](#)

Connectors > PCB Connectors > PCB Connector Accessories > PCB Connector Hardware > PCB Connector Mounting



Number of Positions: 30

Centerline (Pitch): 2 mm [.079 in]

Wire Size: 28 – 24 AWG

Primary Product Color: Ivory

Operating Temperature Range: -30 – 105 °C [-22 – 221 °F]

Features

Configuration Features

Number of Positions	30
---------------------	----

Body Features

Primary Product Material	PA 66
--------------------------	-------

Primary Product Color	Ivory
-----------------------	-------

Housing Features

Centerline (Pitch)	2 mm [.079 in]
--------------------	----------------

Dimensions

Product Width	7.55 mm [.297 in]
---------------	-------------------

Product Length	34.3 mm [1.35 in]
----------------	-------------------

Product Height	6.65 mm [.261 in]
----------------	-------------------

Row-to-Row Spacing	6.6 mm
--------------------	--------

Wire Size	28 – 24 AWG
-----------	-------------

Usage Conditions

Operating Temperature Range	-30 – 105 °C [-22 – 221 °F]
-----------------------------	-----------------------------



Packaging Features

Packaging Quantity	1000
Packaging Method	Bag

Other

Connector Accessory Comment	For Use With CT Connector, Two receptacle connectors are applied per holder.
-----------------------------	--

Product Compliance

For compliance documentation, visit the product page on [TE.com](https://www.te.com)>

EU RoHS Directive 2011/65/EU	Compliant
EU ELV Directive 2000/53/EC	Compliant
China RoHS 2 Directive MIIT Order No 32, 2016	No Restricted Materials Above Threshold
EU REACH Regulation (EC) No. 1907/2006	Current ECHA Candidate List: JUNE 2023 (235) Candidate List Declared Against: JAN 2023 (233) Does not contain REACH SVHC
Halogen Content	Low Halogen - Br, Cl, F, I < 900 ppm per homogenous material. Also BFR/CFR/PVC Free
Solder Process Capability	Not applicable for solder process capability

Product Compliance Disclaimer

This information is provided based on reasonable inquiry of our suppliers and represents our current actual knowledge based on the information they provided. This information is subject to change. The part numbers that TE has identified as EU RoHS compliant have a maximum concentration of 0.1% by weight in homogenous materials for lead, hexavalent chromium, mercury, PBB, PBDE, DBP, BBP, DEHP, DIBP, and 0.01% for cadmium, or qualify for an exemption to these limits as defined in the Annexes of Directive 2011/65/EU (RoHS2). Finished electrical and electronic equipment products will be CE marked as required by Directive 2011/65/EU. Components may not be CE marked. Additionally, the part numbers that TE has identified as EU ELV compliant have a maximum concentration of 0.1% by weight in homogenous materials for lead, hexavalent chromium, and mercury, and 0.01% for cadmium, or qualify for an exemption to these limits as defined in the Annexes of Directive 2000/53/EC (ELV). Regarding the REACH Regulation, the information TE provides on SVHC in articles for this part number is based on the latest European Chemicals Agency (ECHA) 'Guidance on requirements for substances in articles' posted at this URL: <https://echa.europa.eu/guidance-documents/guidance-on-reach>

Compatible Parts



TE Part # CAT-AM7017-C7671
Common Termination Contacts —
POWER TRIPLE LOCK



TE Part # CAT-AM7017-H8172
AMP COMMON TERMINATION
HOUSINGS



TE Part # 353918-1
CT 1.5MM REC CONT CRIMP TYPE



TE Part # CAT-3980700-DRWBSV
CT 2mm Dbl Row Assembly w/Boss:
Vert.



TE Part # 3-292138-0
CT DOUBLE ROW ASSY H 30P HDR N

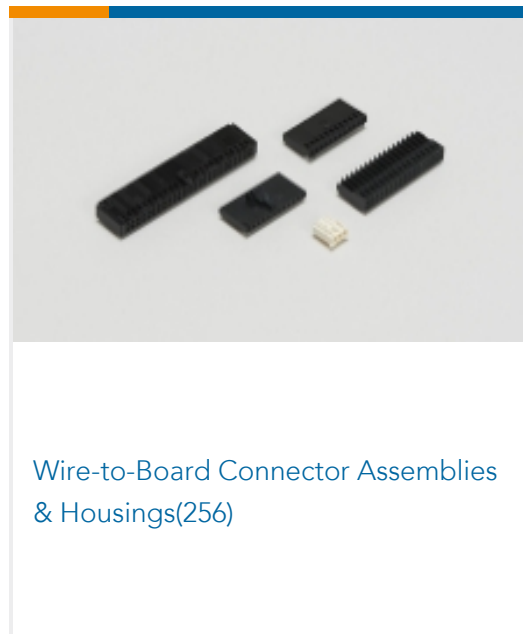
Also in the Series | AMP CT



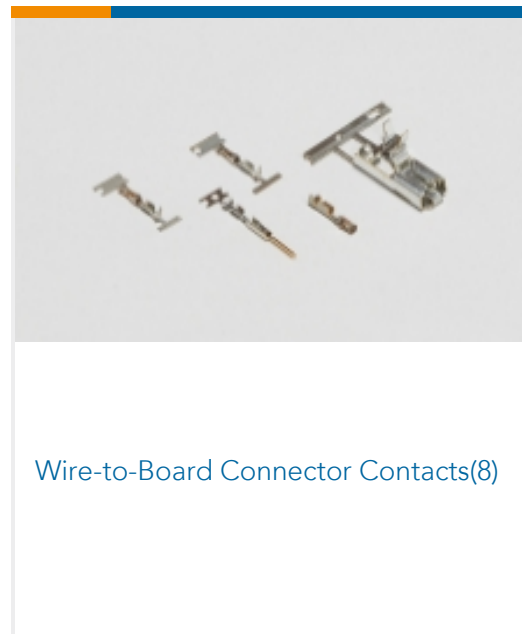
PCB Connector Mounting(46)



PCB Headers & Receptacles(756)

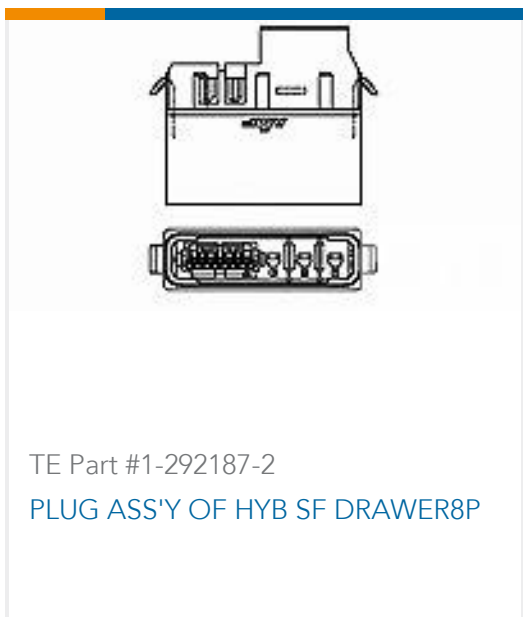


Wire-to-Board Connector Assemblies
& Housings(256)



Wire-to-Board Connector Contacts(8)

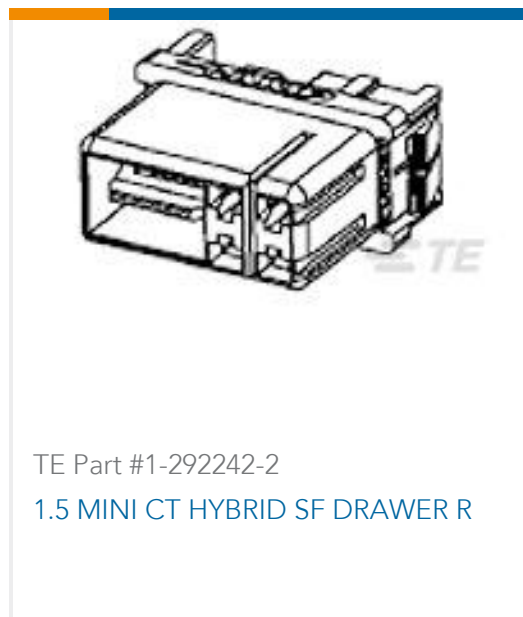
Customers Also Bought



TE Part #1-292187-2
PLUG ASS'Y OF HYB SF DRAWER8P



TE Part #84727-1
1.5 MINI CT CRIMP CONTACT



TE Part #1-292242-2
1.5 MINI CT HYBRID SF DRAWER R



TE Part #2-292254-6
CT RELAY HDR ASSY 6P BLUE



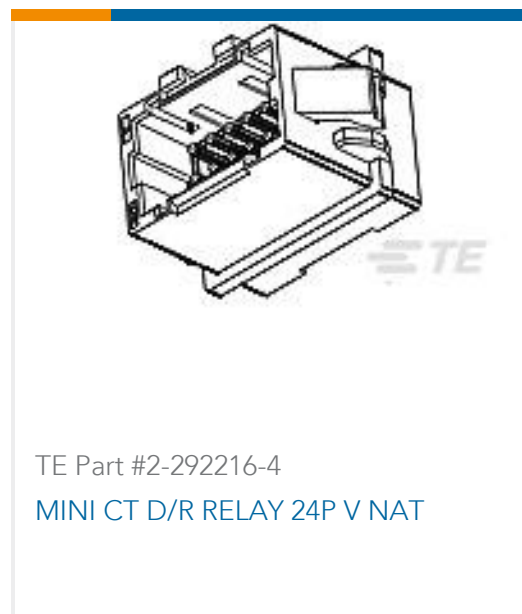
TE Part #1-2355088-2
MICRO CT CONN MT REC
ASSEMBLY 12P



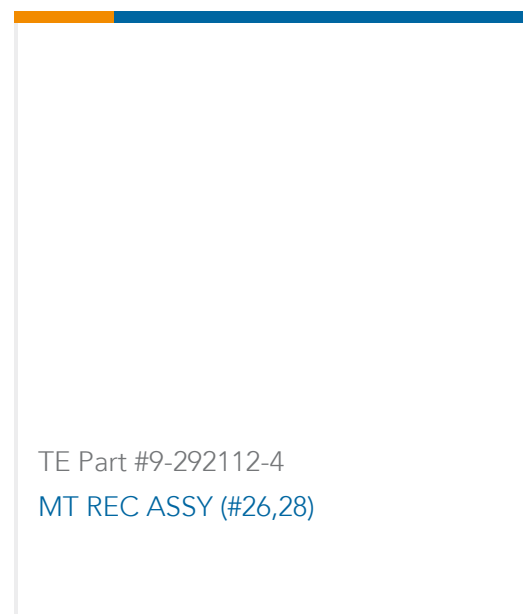
TE Part #1-2355088-4
MICRO CT CONN MT REC
ASSEMBLY 14P



TE Part #2-2355088-3
MICRO CT CONN MT REC
ASSEMBLY 23P



TE Part #2-292216-4
MINI CT D/R RELAY 24P V NAT



Documents

Product Drawings

[CT DOUBLE ROW 30P HOLDER NATU.](#)

English

CAD Files

[3D PDF](#)

3D

Customer View Model

[ENG_CVM_CVM_3-175133-0_E.2d_dxf.zip](#)

English

Customer View Model

[ENG_CVM_CVM_3-175133-0_E.3d_igs.zip](#)

English

Customer View Model

[ENG_CVM_CVM_3-175133-0_E.3d_stp.zip](#)

English

By downloading the CAD file I accept and agree to the [Terms and Conditions](#) of use.

Product Specifications

[Application Specification](#)

English

[Crimping of AMP 2.0mm Pitch, CT Crimp Typell Rec Contact](#)

English

[Application Specification](#)

English

Product Environmental Compliance

[MD_3-175133-0_03152016253_dmtec](#)

English

[MD_3-175133-0_03152016253_dmtec](#)

English

Agency Approvals

[CSA Certificate](#)

English

3-175133-0

PCB Connector Mounting, 30 Position, .079 in [2 mm] Centerline, 28 – 24 AWG Wire
Size, Ivory, -22 – 221 °F [-30 – 105 °C], AMP CT

