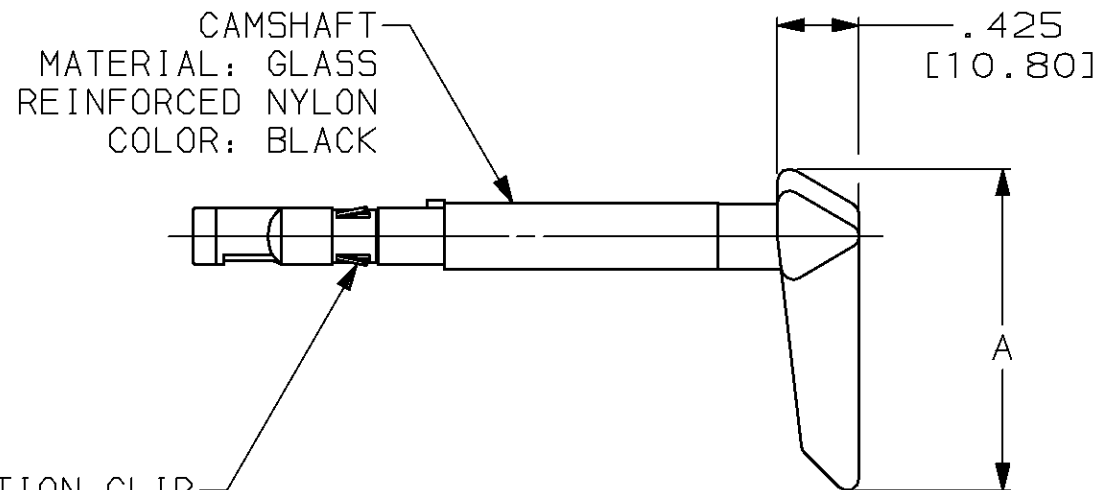
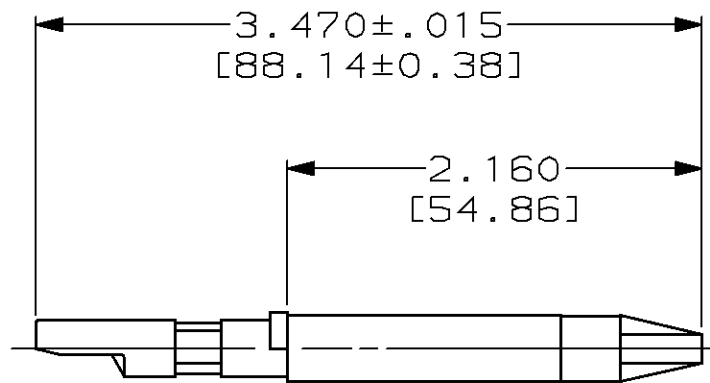


THIS DRAWING IS UNPUBLISHED. RELEASED FOR PUBLICATION, 19
 © COPYRIGHT 19 BY AMP INCORPORATED. ALL INTERNATIONAL RIGHTS RESERVED.

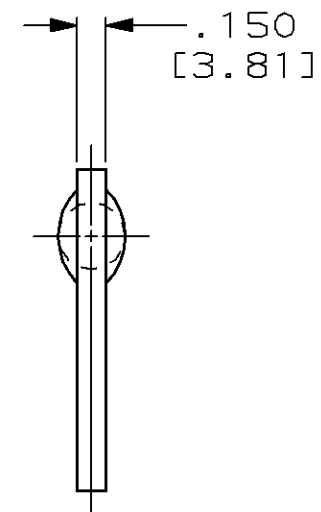
PROD 5088
 CODE DF E0

P		F		ZONE		LTR		DESCRIPTION		DATE	APPD
								0	RELEASED PER NPR 91-0111 T.S.	-	-
								A	REV PER 0600-4238-95 JB	03-06-96	DM



RETENTION CLIP
 MATERIAL: BERYLLIUM COPPER
 FINISH: NICKEL PLATED

CAMSHAFT
 MATERIAL: GLASS
 REINFORCED NYLON
 COLOR: BLACK



.800	447809-3
1.190	447809-2
1.675	447809-1
A ± .010 [0.25]	PART NO.

DO NOT SCALE PRINT. UNLESS SPECIFIED DIMENSIONS IN INCHES [mm]	DR 4-3-91 T. SHUEY
TOLERANCES ON:	CHK 4-3-91 D. MUMMEY
2 PLC DEC ±	APPD 4-3-91 D. MUMMEY
3 PLC DEC ± .005 [0.13]	APPD -
ANGLES ±	PRODUCT SPEC -
MATERIAL SEE CALLOUTS	APPLICATION SPEC -
FINISH SEE CALLOUTS	WEIGHT -

AMP AMP Incorporated Harrisburg, PA 17105-3608		
NAME CAMSHAFT, C.R. CONNECTOR, WITH RETENTION CLIP		
SIZE B	CAGE CODE 00779	DRAWING NO 447809
SCALE 4:1	SHEET 1 OF 1	